
2.4 GHz WLAN, High-Efficiency Power Amplifier Module

Features

- Input/Output ports internally matched to 50 Ω and DC decoupled
- High gain:
 - Typically 28 dB gain across 2.4–2.5 GHz
- High linear output power:
 - >24 dBm P1dB
 - Single-tone measurement. Please refer to [“Absolute Maximum Stress Ratings” on page 5](#)
 - Meets 802.11g OFDM ACPR requirement up to 21.5 dBm
 - 3% EVM up to 17.5 dBm for 54 Mbps 802.11g signal
 - 2.5% EVM up to 17 dBm for 802.11n, MCS7, 40 MHz
 - Meets 802.11b ACPR requirement up to 22.5 dBm
 - Meets Bluetooth[®] spectrum mask for 3 Mbps at 17 dBm typical
- High power-added efficiency/Low operating current for 802.11b/g/n applications
 - ~28%/138 mA @ P_{OUT} = 21.5 dBm for 802.11g
 - ~33%/155 mA @ P_{OUT} = 22.5 dBm for 802.11b
- Single-pin low I_{REF} power-up/down control
 - I_{REF} <2 mA
- Low idle current
 - ~60 mA I_{CQ}
- High-speed power-up/down
 - Turn on/off time (10%- 90%) <100 ns
 - Typical power-up/down delay with driver delay included <200 ns
- Low shut-down current (~2 μ A)
- Stable performance over temperature
 - ~2 dB gain variation between -40°C to +85°C
 - ~1 dB power variation between -40°C to +85°C
- Excellent on-chip power detection
 - >15 dB dynamic range, dB-wise linear
 - VSWR insensitive, temperature stable
- Packages available
 - 10-contact X2QFN – 1.5mm x 1.5mm x 0.4mm
- Non-Pb (lead-free), RoHS compliant, and Halogen free

Applications

- WLAN (IEEE 802.11b/g/n)
- Bluetooth[®]
- Cordless phones
- 2.4 GHz ISM wireless equipment

1.0 PRODUCT DESCRIPTION

The SST12LP17A is a versatile power amplifier based on the highly-reliable InGaP/GaAs HBT technology. The input/output RF ports are fully matched to 50 Ω internally. These RF ports are DC decoupled and require no DC-blocking capacitors or matching components. This helps reduce the system board's Bill of Materials (BOM) cost.

SST12LP17A is a 2.4 GHz fully-integrated, high-efficiency Power Amplifier module designed in compliance with IEEE 802.11b/g/n/ac applications. It typically provides 28 dB gain with 28% power-added efficiency (PAE) @ P_{OUT} = 21.5 dBm for 802.11g and 33% PAE @ P_{OUT} = 22.5 dBm for 802.11b.

This power amplifier has excellent linearity, typically 3% added EVM at 17.5 dBm output power which is essential for 54 Mbps 802.11g operation while meeting 802.11g spectrum mask at 21.5 dBm and 802.11b spectrum mask at 22.5 dBm. Using MCS7 modulation, with 40 MHz bandwidth, the SST12LP17A provides 17 dBm at 2.5% EVM.

The device also features easy board-level usage along with high-speed power-up/down control through a single combined reference voltage pin. Ultra-low reference current (total I_{REF} <2 mA) makes the SST12LP17A controllable by an on/off switching signal directly from the baseband chip. These features, coupled with low operating current, make the SST12LP17A ideal for the final stage power amplification in battery-powered 802.11b/g/n WLAN transmitter and Bluetooth applications.

The SST12LP17A has an excellent on-chip, single-ended power detector, which features wide dynamic range, >15 dB, with dB-wise linear performance. The excellent on-chip power detector provides a reliable solution to board-level power control.

The SST12LP17A is offered in a 10-contact X2QFN package. See [Figure 3-1](#) for pin assignments and [Table 3-1](#) for pin descriptions.

TO OUR VALUED CUSTOMERS

It is our intention to provide our valued customers with the best documentation possible to ensure successful use of your Microchip products. To this end, we will continue to improve our publications to better suit your needs. Our publications will be refined and enhanced as new volumes and updates are introduced.

If you have any questions or comments regarding this publication, please contact the Marketing Communications Department via E-mail at docerrors@microchip.com. We welcome your feedback.

Most Current Data Sheet

To obtain the most up-to-date version of this data sheet, please register at our Worldwide Web site at:

<http://www.microchip.com>

You can determine the version of a data sheet by examining its literature number found on the bottom outside corner of any page. The last character of the literature number is the version number, (e.g., DS30000000A is version A of document DS30000000).

Errata

An errata sheet, describing minor operational differences from the data sheet and recommended workarounds, may exist for current devices. As device/documentation issues become known to us, we will publish an errata sheet. The errata will specify the revision of silicon and revision of document to which it applies.

To determine if an errata sheet exists for a particular device, please check with one of the following:

- Microchip's Worldwide Web site; <http://www.microchip.com>
- Your local Microchip sales office (see last page)

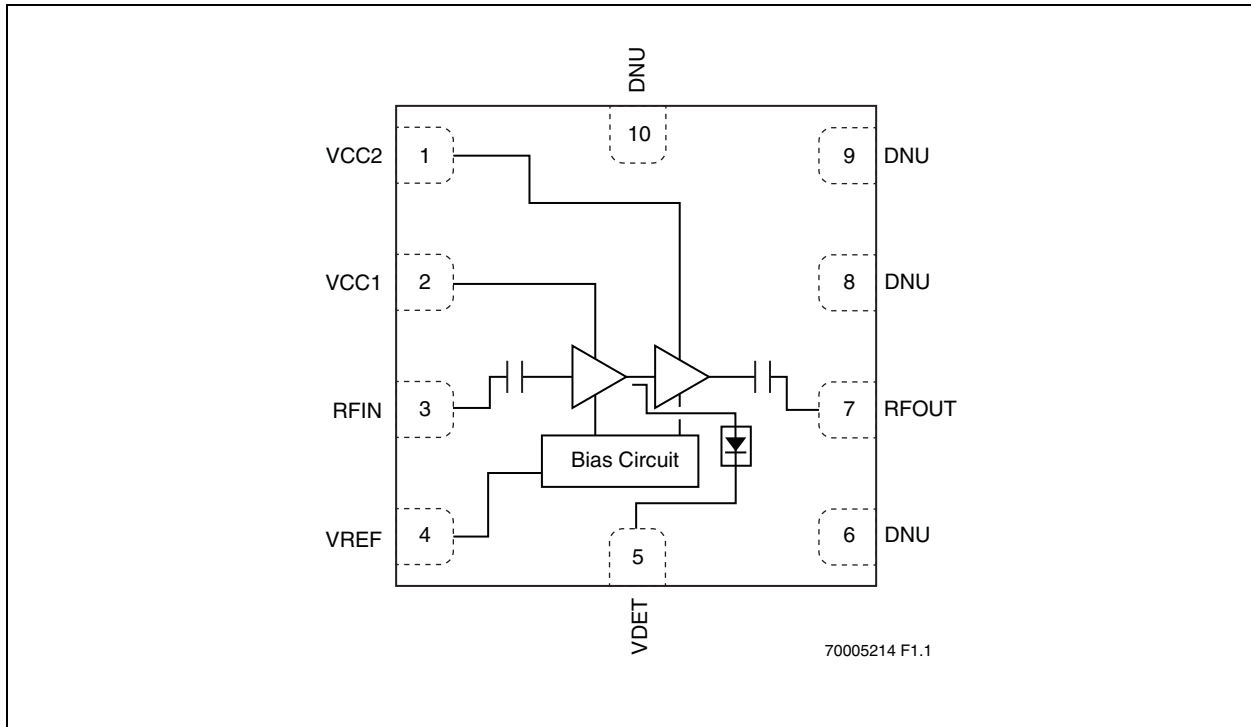
When contacting a sales office, please specify which device, revision of silicon and data sheet (include literature number) you are using.

Customer Notification System

Register on our web site at www.microchip.com to receive the most current information on all of our products.

2.0 FUNCTIONAL BLOCKS

FIGURE 2-1: FUNCTIONAL BLOCK DIAGRAM



SST12LP17A

3.0 PIN ASSIGNMENTS

FIGURE 3-1: PIN ASSIGNMENTS FOR 10-CONTACT X2QFN

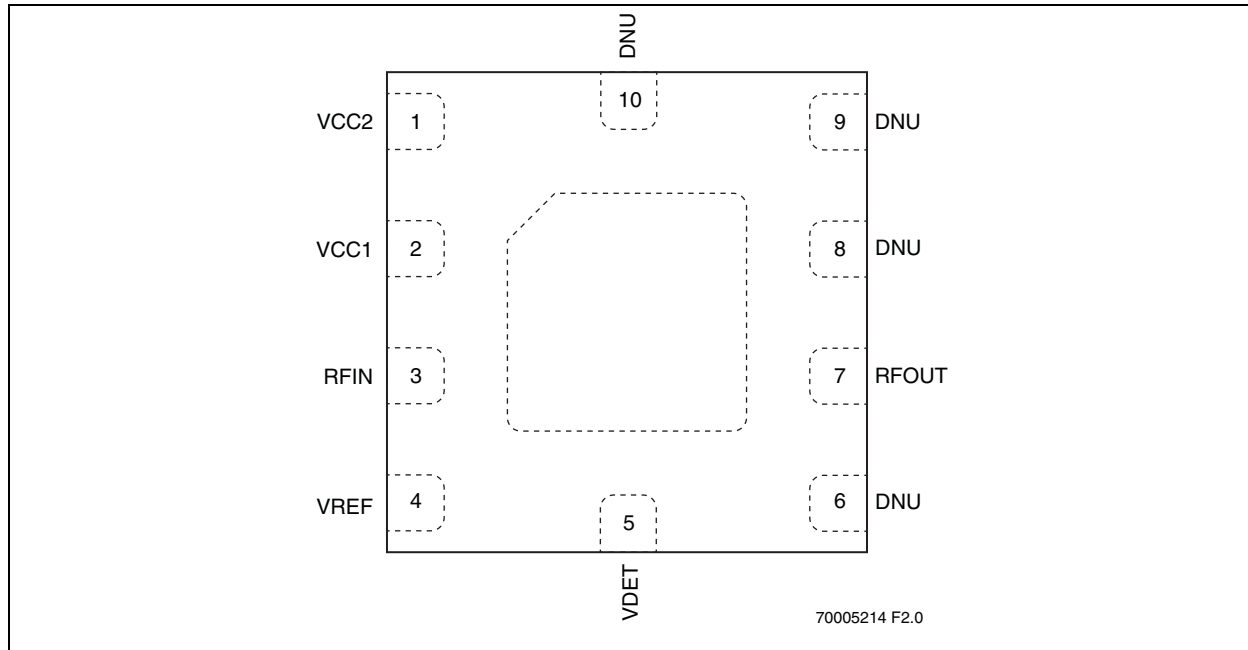


TABLE 3-1: PIN DESCRIPTION

Symbol	Pin No.	Pin Name	Type ¹	Function
GND	0	Ground		Low inductance ground pad
VCC2	1	Power Supply	PWR	Power supply, 2 nd stage
VCC1	2	Power Supply	PWR	Power supply, 1 st stage
RFIN	3		I	RF input, DC decoupled
VREF	4		PWR	1 st and 2 nd stage idle current control
VDET	5		O	On-chip power detector
DNU	6	Do Not Use		Do not use or connect
RFOUT	7		O	RF output, DC decoupled
DNU	8	Do Not Use		Do not use or connect
DNU	9	Do Not Use		Do not use or connect
DNU	10	Do Not Use		Do not use or connect

1. I=Input, O=Output

4.0 ELECTRICAL SPECIFICATIONS

The DC and RF specifications for the power amplifier are specified below. Refer to [Table 4-2](#) for the DC voltage and current specifications.

Absolute Maximum Stress Ratings (Applied conditions greater than those listed under “Absolute Maximum Stress Ratings” may cause permanent damage to the device. This is a stress rating only and functional operation of the device at these conditions or conditions greater than those defined in the operational sections of this data sheet is not implied. Exposure to absolute maximum stress rating conditions may affect device reliability.)

Input power to pin 3 (P_{IN})	+5 dBm
Average output power from Pin 7 (P_{OUT}) ¹	+25.5 dBm
Supply Voltage at pins 1 and 2 (V_{CC}) ²	-0.3V to +6.0V
Reference voltage to pin 4 (V_{REF})	-0.3V to +3.3V
DC supply current (I_{CC}) ³	300 mA
Operating Temperature (T_A)	-40°C to +85°C
Storage Temperature (T_{STG})	-40°C to +120°C
Maximum Junction Temperature (T_J)	+150°C
Surface Mount Solder Reflow Temperature	260°C for 10 seconds
ESD Level for Human Body Model, HBM.	1250V

1. Never measure with CW source. Pulsed single-tone source with <50% duty cycle is recommended. Exceeding the maximum rating of average output power could cause permanent damage to the device.
2. V_{CC} maximum rating of 6.0V for RF output power levels up to 10 dBm.
3. Measured with 100% duty cycle 54 Mbps 802.11g OFDM Signal

TABLE 4-1: OPERATING RANGE

Range	Ambient Temp	V_{CC}
Industrial	-40°C to +85°C	3.0V to 4.6V

TABLE 4-2: DC ELECTRICAL CHARACTERISTICS AT 25°C

Symbol	Parameter	Min.	Typ	Max.	Unit
V_{CC}	Supply Voltage at pins 1 and 2	3.0	3.3	4.6	V
I_{CQ}	Idle current to meet EVM ~3% @ 17.5 dBm Output Power, 802.11g OFDM 54 Mbps signal		60		mA
V_{REF}	Reference Voltage for pin 4	2.80	2.85		V
I_{CC}	Current consumption to meet 802.11g OFDM 54 Mbps spectrum mask @ 21.5 dBm		138		mA
	Current consumption to meet 802.11b DSSS 54 Mbps spectrum mask @ 22.5 dBm		155		mA
	Current consumption to meet EVM ~3% @ 17.5 dBm Output Power with 802.11g OFDM 54 Mbps signal		100		mA

1 75004

SST12LP17A

TABLE 4-3: RF CHARACTERISTICS AT 25°C

Symbol	Parameter	Min.	Typ	Max.	Unit
F _{L-U}	Frequency range	2412		2484	MHz
G	Small signal gain	27	28		dB
G _{VAR1}	Gain variation over band (2412–2484 MHz)			±0.5	dB
G _{VAR2}	Gain ripple over channel (20 MHz)		0.2		dB
2f, 3f, 4f, 5f	Harmonics at 23 dBm, without external filters			-40	dBc
EVM	EVM @ 17.5 dBm output with 802.11g OFDM 54 Mbps signal		3		%
	EVM @ 17 dBm output with MCS7-40 MHz bandwidth		2.5		%
P _{OUT}	Output Power to meet 802.11g OFDM 54 Mbps spectrum mask	20.5	21.5		dBm
	Output Power to meet 802.11b DSSS 1 Mbps spectrum mask	21	22.5		dBm
	Output Power to meet 802.11n, with MCS0-HT20 spectrum mask		20		dBm

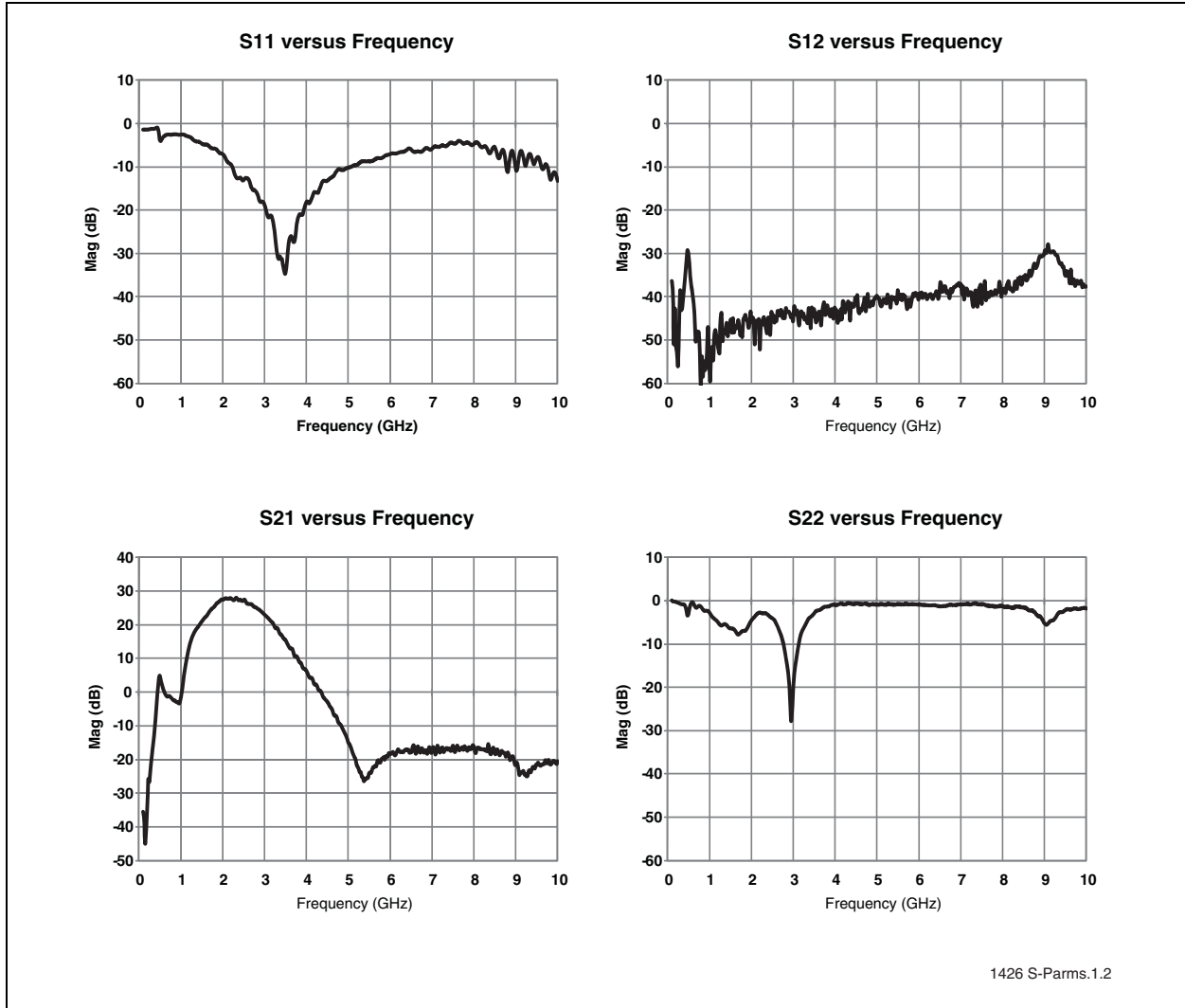
TABLE 4-4: CHARACTERISTICS AT 25°C FOR BLUETOOTH APPLICATIONS

Symbol	Parameter	Min.	Typ	Max.	Unit
F _{L-U}	Frequency range	2412		2484	MHz
G	Small signal gain (configured as shown in Figure 5-7 on page 10)	26	28		dB
	Small signal gain (V _{REF} = 3.0V with 1.5kΩ series resistor)	23	26		dB
ICC	DC current at 17 dBm CW (configured as shown in Figure 5-7 on page 10)		100		mA
	DC current at 12 dBm CW (V _{REF} = 3.0V with 1.5kΩ series resistor)		50		mA
Power	Meeting Bluetooth spectrum power density using 3 Mbps modulation (-20 dBm at 1.5 MHz and -40 dBm at 2.5 MHz, 100 kHz RBW) (configured as shown in Figure 5-7 on page 10)		17		dBm
	Meeting Bluetooth spectrum power density using 3 Mbps modulation (-20 dBm at 1.5 MHz and -40 dBm at 2.5 MHz, 100 kHz RBW) (V _{REF} = 3.0V with 1.5kΩ series resistor)		12		dBm

5.0 TYPICAL PERFORMANCE CHARACTERISTICS

Test Conditions: $V_{CC} = 3.3V$, $V_{REF} = 2.85V$, $T_A = 25^\circ C$

FIGURE 5-1: S-PARAMETER



SST12LP17A

Test Conditions: $V_{CC} = 3.3V$, $V_{REF} = 2.85V$, $T_A = 25^\circ C$, 54 Mbps 802.11g OFDM Signal, unless otherwise noted. Equalizer Training Setting using Channel Estimation Sequence only

FIGURE 5-2: DYNAMIC EVM VERSUS OUTPUT POWER

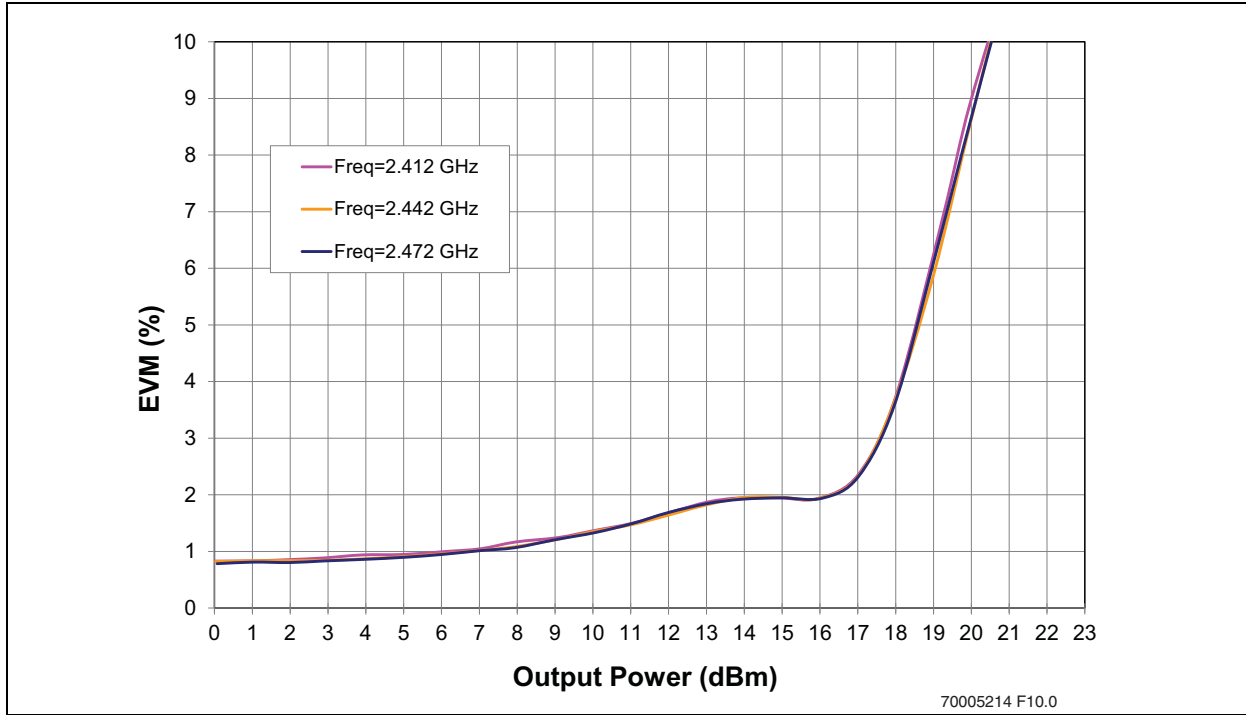


FIGURE 5-3: DYNAMIC EVM VERSUS OUTPUT POWER WITH MCS7-HT40 MODULATION

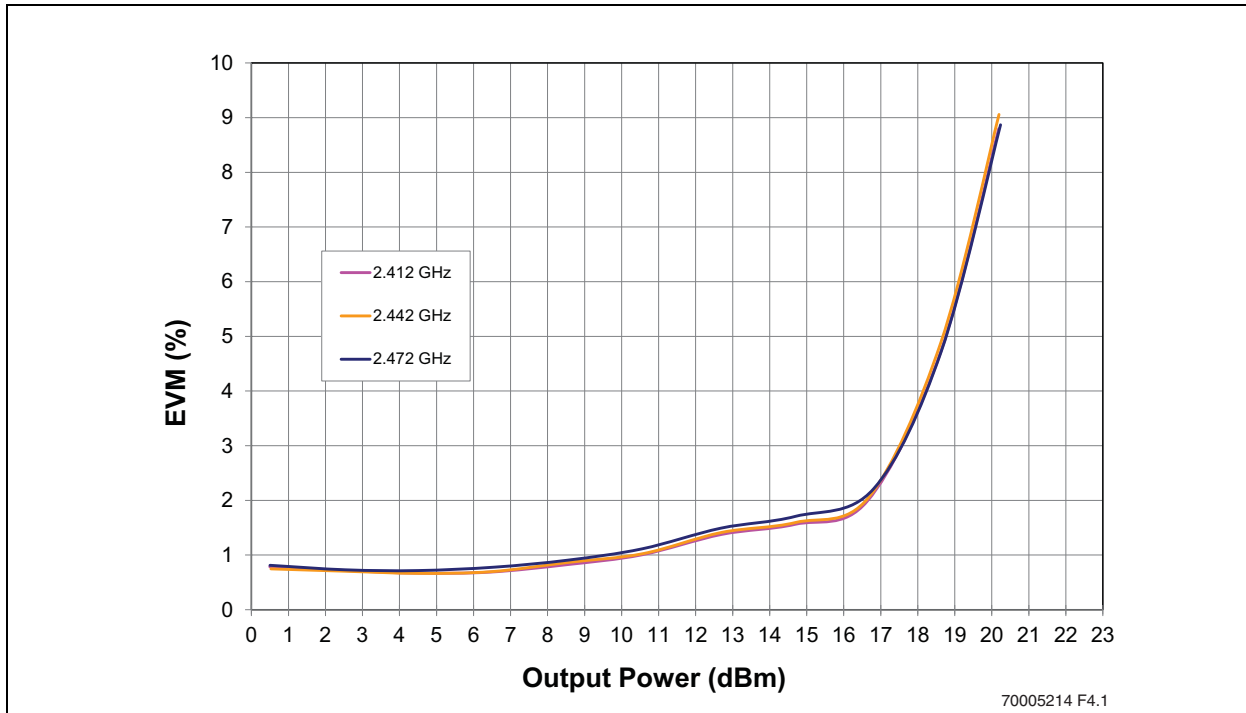


FIGURE 5-4: POWER GAIN VERSUS OUTPUT POWER

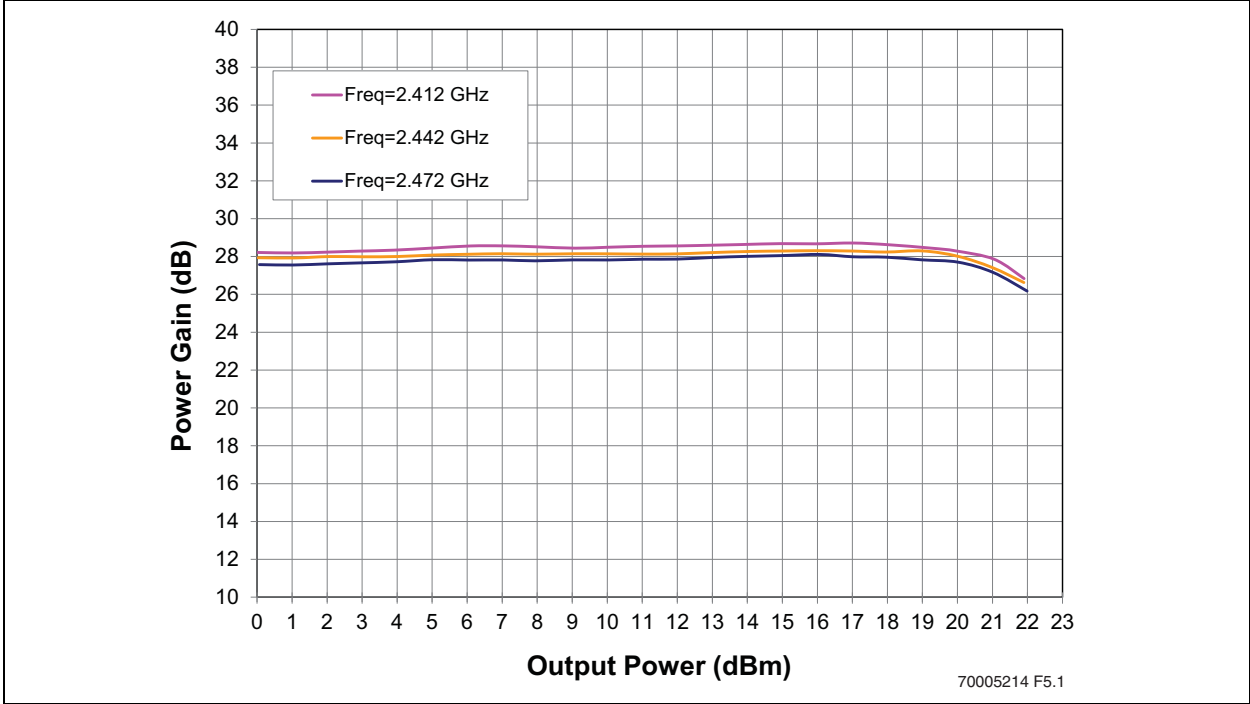
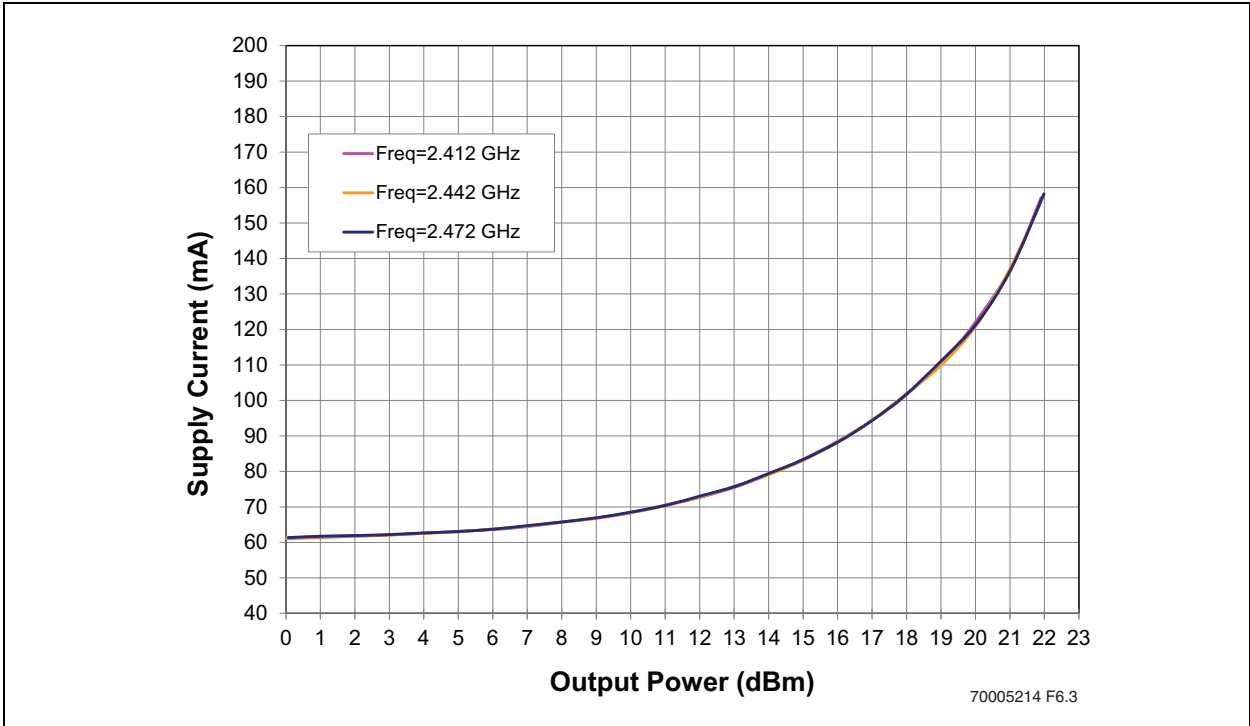


FIGURE 5-5: TOTAL CURRENT CONSUMPTION VERSUS OUTPUT POWER



SST12LP17A

FIGURE 5-6: DETECTOR CHARACTERISTICS VERSUS OUTPUT POWER

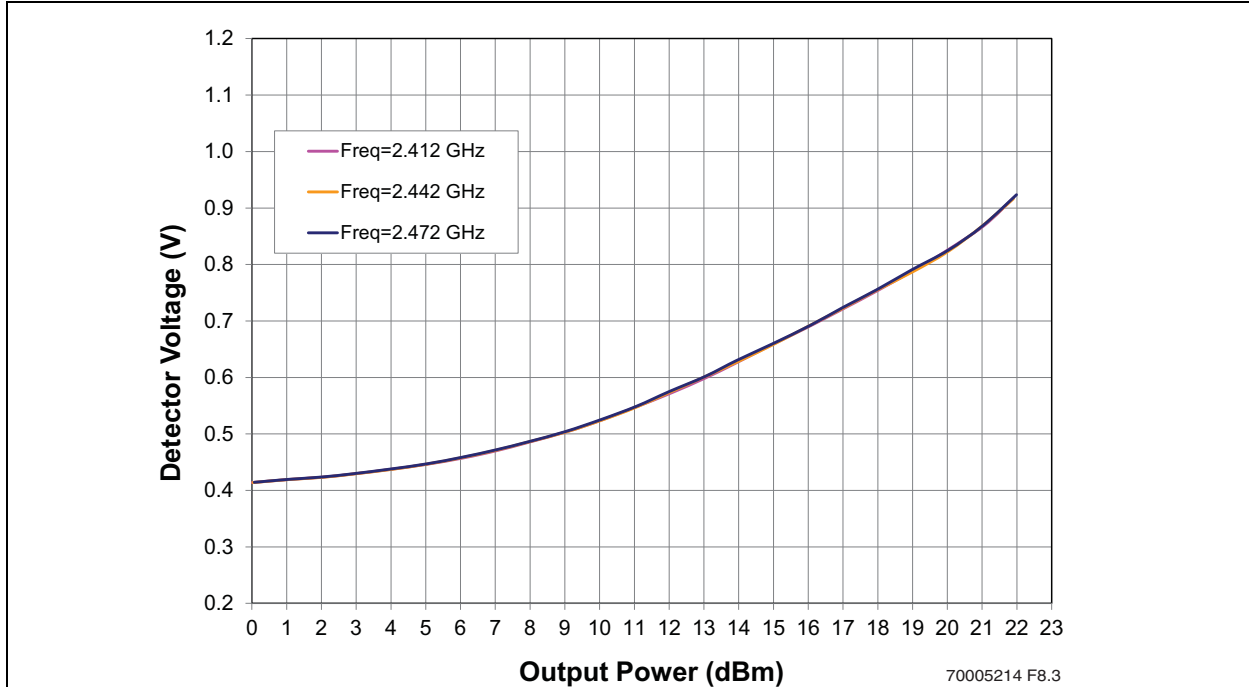
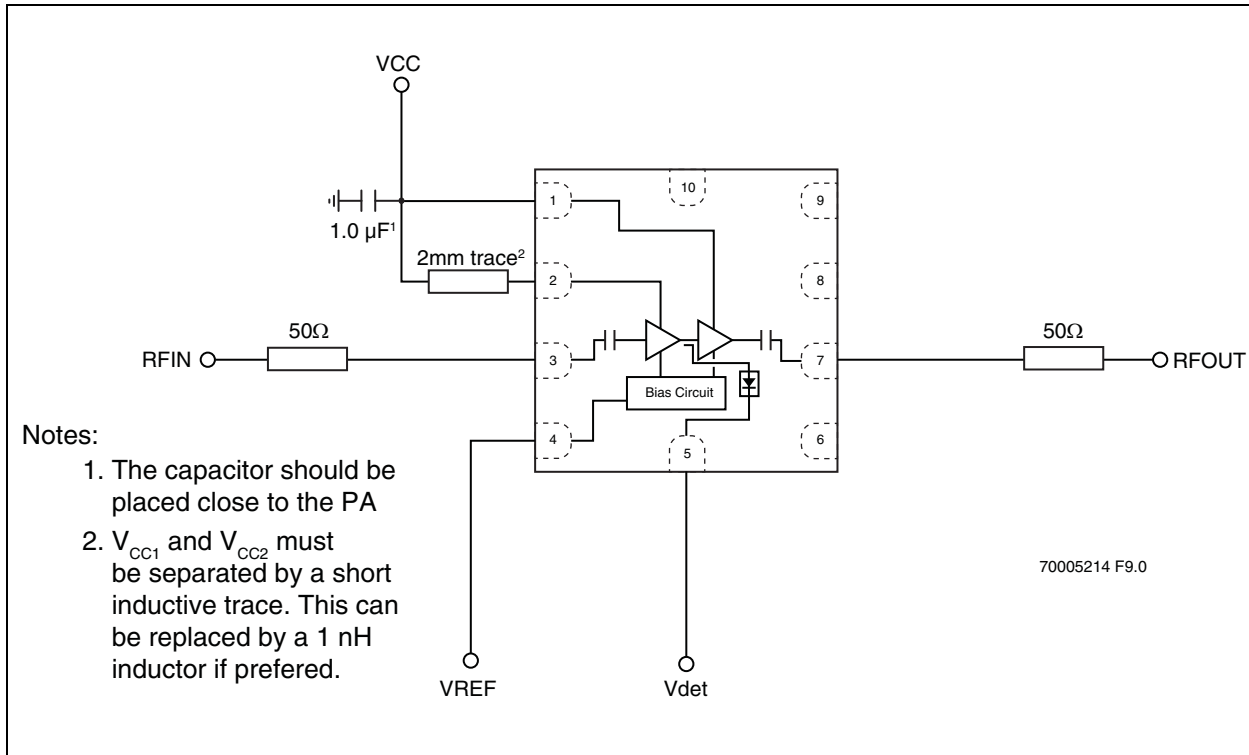


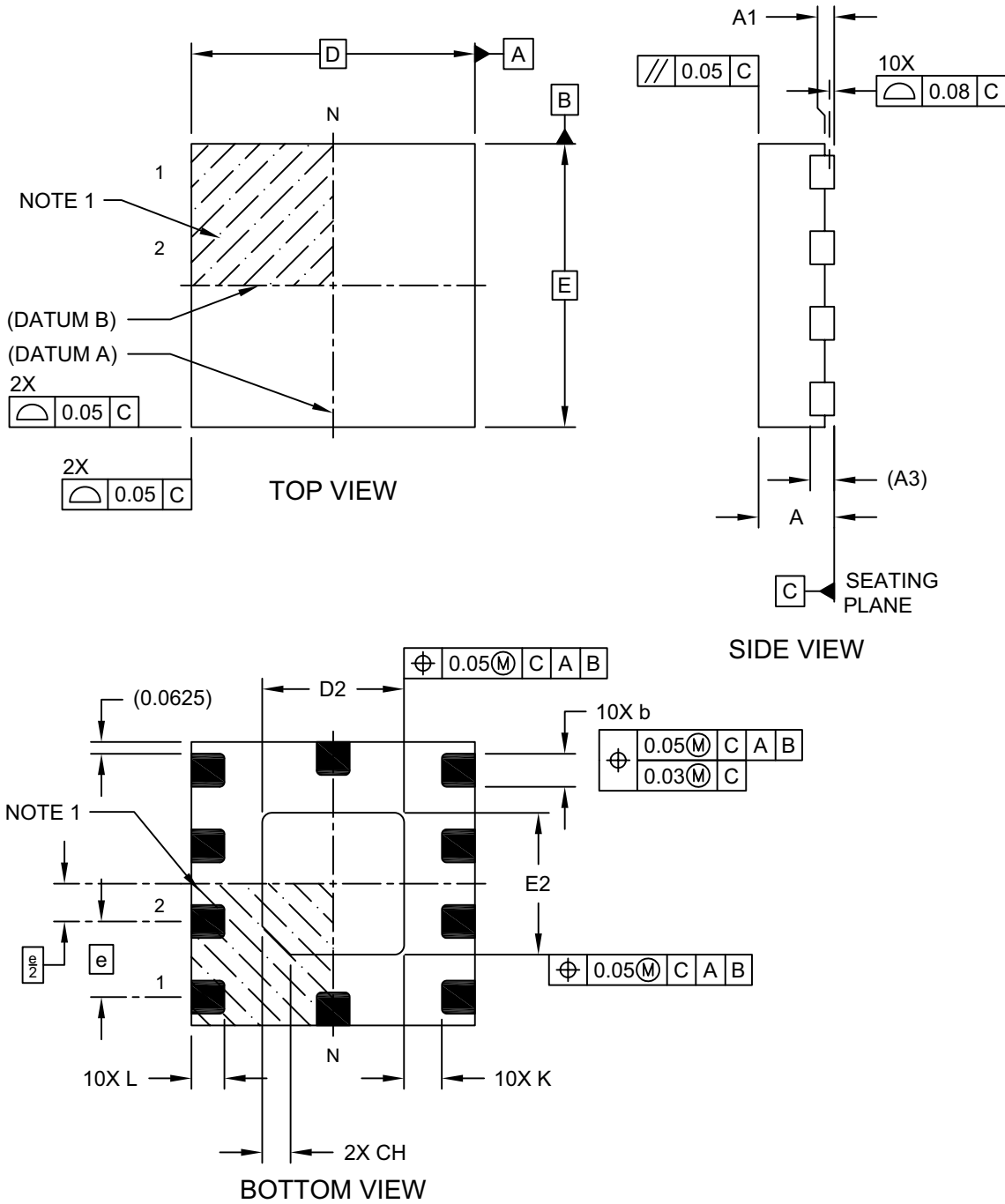
FIGURE 5-7: TYPICAL SCHEMATIC FOR HIGH-EFFICIENCY 802.11B/G/N APPLICATIONS



SST12LP17A

10-Lead Super-Thin Plastic Quad Flat, No Lead Package (9X) - 1.5x1.5 mm Body [X2QFN]. 0.75x0.75 mm Exposed Pad

Note: For the most current package drawings, please see the Microchip Packaging Specification located at <http://www.microchip.com/packaging>

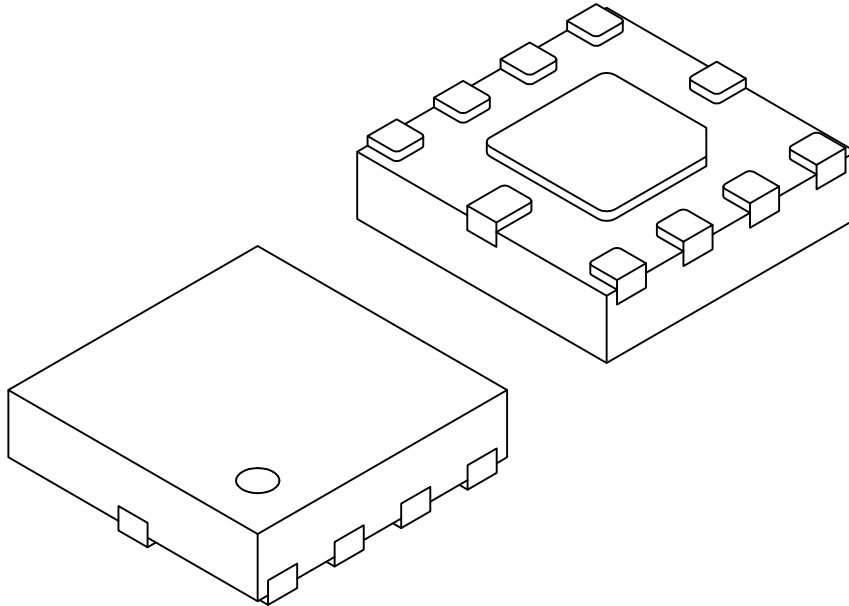


Microchip Technology Drawing C04-376A Sheet 1 of 2

SST12LP17A

10-Lead Super-Thin Plastic Quad Flat, No Lead Package (9X) - 1.5x1.5 mm Body [X2QFN]. 0.75x0.75 mm Exposed Pad

Note: For the most current package drawings, please see the Microchip Packaging Specification located at <http://www.microchip.com/packaging>



Dimension Limits	Units	MILLIMETERS		
		MIN	NOM	MAX
Number of Terminals	N	10		
Pitch	e	0.40 BSC		
Overall Height	A	0.30	0.35	0.40
Standoff	A1	0.00	0.02	0.05
Terminal Thickness	(A3)	0.127 REF		
Overall Width	E	1.50 BSC		
Exposed Pad Width	E2	0.70	0.75	0.80
Overall Length	D	1.50 BSC		
Exposed Pad Length	D2	0.70	0.75	0.80
Exposed Pad Corner Chamfer	CH	-	0.15	-
Terminal Width	b	0.125	0.175	0.225
Terminal Length	L	0.125	0.175	0.225
Terminal-to-Exposed-Pad	K	0.20	-	-

Notes:

1. Pin 1 visual index feature may vary, but must be located within the hatched area.
2. Package is saw singulated
3. Dimensioning and tolerancing per ASME Y14.5M

BSC: Basic Dimension. Theoretically exact value shown without tolerances.

REF: Reference Dimension, usually without tolerance, for information purposes only.

Microchip Technology Drawing C04-376A Sheet 2 of 2

TABLE 5-1: REVISION HISTORY

Revision	Description	Date
A	• Initial release of data sheet	Apr 2015

SST12LP17A

THE MICROCHIP WEB SITE

Microchip provides online support via our WWW site at www.microchip.com. This web site is used as a means to make files and information easily available to customers. Accessible by using your favorite Internet browser, the web site contains the following information:

- **Product Support** – Data sheets and errata, application notes and sample programs, design resources, user's guides and hardware support documents, latest software releases and archived software
- **General Technical Support** – Frequently Asked Questions (FAQ), technical support requests, online discussion groups, Microchip consultant program member listing
- **Business of Microchip** – Product selector and ordering guides, latest Microchip press releases, listing of seminars and events, listings of Microchip sales offices, distributors and factory representatives

CUSTOMER CHANGE NOTIFICATION SERVICE

Microchip's customer notification service helps keep customers current on Microchip products. Subscribers will receive e-mail notification whenever there are changes, updates, revisions or errata related to a specified product family or development tool of interest.

To register, access the Microchip web site at www.microchip.com. Under "Support", click on "Customer Change Notification" and follow the registration instructions.

CUSTOMER SUPPORT

Users of Microchip products can receive assistance through several channels:

- Distributor or Representative
- Local Sales Office
- Field Application Engineer (FAE)
- Technical Support

Customers should contact their distributor, representative or Field Application Engineer (FAE) for support. Local sales offices are also available to help customers. A listing of sales offices and locations is included in the back of this document.

Technical support is available through the web site at: <http://microchip.com/support>

6.0 PRODUCT IDENTIFICATION SYSTEM

To order or obtain information, e.g., on pricing or delivery, refer to the factory or the listed sales office.

PART NO.		XXX
Device	Package	
Device:	SST12LP17A	= 2.4 GHz High-Gain, High-Efficiency Power Amplifier
Package:	9X	= X2QFN (1.5mm x 1.5mm), 0.4 max thickness 10-contact
Evaluation Kit Flag	K	= Evaluation Kit

Valid Combinations:
SST12LP17A-9X
SST12LP17A-9X-K

Note the following details of the code protection feature on Microchip devices:

- Microchip products meet the specification contained in their particular Microchip Data Sheet.
- Microchip believes that its family of products is one of the most secure families of its kind on the market today, when used in the intended manner and under normal conditions.
- There are dishonest and possibly illegal methods used to breach the code protection feature. All of these methods, to our knowledge, require using the Microchip products in a manner outside the operating specifications contained in Microchip's Data Sheets. Most likely, the person doing so is engaged in theft of intellectual property.
- Microchip is willing to work with the customer who is concerned about the integrity of their code.
- Neither Microchip nor any other semiconductor manufacturer can guarantee the security of their code. Code protection does not mean that we are guaranteeing the product as “unbreakable.”

Code protection is constantly evolving. We at Microchip are committed to continuously improving the code protection features of our products. Attempts to break Microchip's code protection feature may be a violation of the Digital Millennium Copyright Act. If such acts allow unauthorized access to your software or other copyrighted work, you may have a right to sue for relief under that Act.

Information contained in this publication regarding device applications and the like is provided only for your convenience and may be superseded by updates. It is your responsibility to ensure that your application meets with your specifications. MICROCHIP MAKES NO REPRESENTATIONS OR WARRANTIES OF ANY KIND WHETHER EXPRESS OR IMPLIED, WRITTEN OR ORAL, STATUTORY OR OTHERWISE, RELATED TO THE INFORMATION, INCLUDING BUT NOT LIMITED TO ITS CONDITION, QUALITY, PERFORMANCE, MERCHANTABILITY OR FITNESS FOR PURPOSE. Microchip disclaims all liability arising from this information and its use. Use of Microchip devices in life support and/or safety applications is entirely at the buyer's risk, and the buyer agrees to defend, indemnify and hold harmless Microchip from any and all damages, claims, suits, or expenses resulting from such use. No licenses are conveyed, implicitly or otherwise, under any Microchip intellectual property rights.

Trademarks

The Microchip name and logo, the Microchip logo, dsPIC, FlashFlex, flexPWR, JukeBlox, KEELOQ, KEELOQ logo, Klear, LANCheck, MediaLB, MOST, MOST logo, MPLAB, OptoLyzer, PIC, PICSTART, PIC³² logo, RightTouch, SpyNIC, SST, SST Logo, SuperFlash and UNI/O are registered trademarks of Microchip Technology Incorporated in the U.S.A. and other countries.

The Embedded Control Solutions Company and mTouch are registered trademarks of Microchip Technology Incorporated in the U.S.A.

Analog-for-the-Digital Age, BodyCom, chipKIT, chipKIT logo, CodeGuard, dsPICDEM, dsPICDEM.net, ECAN, In-Circuit Serial Programming, ICSP, Inter-Chip Connectivity, KlearNet, KlearNet logo, MiWi, MPASM, MPF, MPLAB Certified logo, MPLIB, MPLINK, MultiTRAK, NetDetach, Omniscient Code Generation, PICDEM, PICDEM.net, PICkit, PICtail, RightTouch logo, REAL ICE, SQI, Serial Quad I/O, Total Endurance, TSHARC, USBCheck, VariSense, ViewSpan, WiperLock, Wireless DNA, and ZENA are trademarks of Microchip Technology Incorporated in the U.S.A. and other countries.

SQTP is a service mark of Microchip Technology Incorporated in the U.S.A.

Silicon Storage Technology is a registered trademark of Microchip Technology Inc. in other countries.

GestIC is a registered trademarks of Microchip Technology Germany II GmbH & Co. KG, a subsidiary of Microchip Technology Inc., in other countries.

All other trademarks mentioned herein are property of their respective companies.

© 2015, Microchip Technology Incorporated, Printed in the U.S.A., All Rights Reserved.

ISBN: 978-1-63277-346-3

QUALITY MANAGEMENT SYSTEM
CERTIFIED BY DNV
== ISO/TS 16949 ==

Microchip received ISO/TS-16949:2009 certification for its worldwide headquarters, design and wafer fabrication facilities in Chandler and Tempe, Arizona; Gresham, Oregon and design centers in California and India. The Company's quality system processes and procedures are for its PIC[®] MCUs and dsPIC[®] DSCs, KEELOQ[®] code hopping devices, Serial EEPROMs, microperipherals, nonvolatile memory and analog products. In addition, Microchip's quality system for the design and manufacture of development systems is ISO 9001:2000 certified.



MICROCHIP

Worldwide Sales and Service

AMERICAS

Corporate Office

2355 West Chandler Blvd.
Chandler, AZ 85224-6199

Tel: 480-792-7200

Fax: 480-792-7277

Technical Support:

[http://www.microchip.com/
support](http://www.microchip.com/support)

Web Address:

www.microchip.com

Atlanta

Duluth, GA

Tel: 678-957-9614

Fax: 678-957-1455

Austin, TX

Tel: 512-257-3370

Boston

Westborough, MA

Tel: 774-760-0087

Fax: 774-760-0088

Chicago

Itasca, IL

Tel: 630-285-0071

Fax: 630-285-0075

Cleveland

Independence, OH

Tel: 216-447-0464

Fax: 216-447-0643

Dallas

Addison, TX

Tel: 972-818-7423

Fax: 972-818-2924

Detroit

Novi, MI

Tel: 248-848-4000

Houston, TX

Tel: 281-894-5983

Indianapolis

Noblesville, IN

Tel: 317-773-8323

Fax: 317-773-5453

Los Angeles

Mission Viejo, CA

Tel: 949-462-9523

Fax: 949-462-9608

New York, NY

Tel: 631-435-6000

San Jose, CA

Tel: 408-735-9110

Canada - Toronto

Tel: 905-673-0699

Fax: 905-673-6509

ASIA/PACIFIC

Asia Pacific Office

Suites 3707-14, 37th Floor
Tower 6, The Gateway
Harbour City, Kowloon

Hong Kong

Tel: 852-2943-5100

Fax: 852-2401-3431

Australia - Sydney

Tel: 61-2-9868-6733

Fax: 61-2-9868-6755

China - Beijing

Tel: 86-10-8569-7000

Fax: 86-10-8528-2104

China - Chengdu

Tel: 86-28-8665-5511

Fax: 86-28-8665-7889

China - Chongqing

Tel: 86-23-8980-9588

Fax: 86-23-8980-9500

China - Dongguan

Tel: 86-769-8702-9880

China - Hangzhou

Tel: 86-571-8792-8115

Fax: 86-571-8792-8116

China - Hong Kong SAR

Tel: 852-2943-5100

Fax: 852-2401-3431

China - Nanjing

Tel: 86-25-8473-2460

Fax: 86-25-8473-2470

China - Qingdao

Tel: 86-532-8502-7355

Fax: 86-532-8502-7205

China - Shanghai

Tel: 86-21-5407-5533

Fax: 86-21-5407-5066

China - Shenyang

Tel: 86-24-2334-2829

Fax: 86-24-2334-2393

China - Shenzhen

Tel: 86-755-8864-2200

Fax: 86-755-8203-1760

China - Wuhan

Tel: 86-27-5980-5300

Fax: 86-27-5980-5118

China - Xian

Tel: 86-29-8833-7252

Fax: 86-29-8833-7256

ASIA/PACIFIC

China - Xiamen

Tel: 86-592-2388138

Fax: 86-592-2388130

China - Zhuhai

Tel: 86-756-3210040

Fax: 86-756-3210049

India - Bangalore

Tel: 91-80-3090-4444

Fax: 91-80-3090-4123

India - New Delhi

Tel: 91-11-4160-8631

Fax: 91-11-4160-8632

India - Pune

Tel: 91-20-3019-1500

Japan - Osaka

Tel: 81-6-6152-7160

Fax: 81-6-6152-9310

Japan - Tokyo

Tel: 81-3-6880-3770

Fax: 81-3-6880-3771

Korea - Daegu

Tel: 82-53-744-4301

Fax: 82-53-744-4302

Korea - Seoul

Tel: 82-2-554-7200

Fax: 82-2-558-5932 or

82-2-558-5934

Malaysia - Kuala Lumpur

Tel: 60-3-6201-9857

Fax: 60-3-6201-9859

Malaysia - Penang

Tel: 60-4-227-8870

Fax: 60-4-227-4068

Philippines - Manila

Tel: 63-2-634-9065

Fax: 63-2-634-9069

Singapore

Tel: 65-6334-8870

Fax: 65-6334-8850

Taiwan - Hsin Chu

Tel: 886-3-5778-366

Fax: 886-3-5770-955

Taiwan - Kaohsiung

Tel: 886-7-213-7828

Taiwan - Taipei

Tel: 886-2-2508-8600

Fax: 886-2-2508-0102

Thailand - Bangkok

Tel: 66-2-694-1351

Fax: 66-2-694-1350

EUROPE

Austria - Wels

Tel: 43-7242-2244-39

Fax: 43-7242-2244-393

Denmark - Copenhagen

Tel: 45-4450-2828

Fax: 45-4485-2829

France - Paris

Tel: 33-1-69-53-63-20

Fax: 33-1-69-30-90-79

Germany - Dusseldorf

Tel: 49-2129-3766400

Germany - Munich

Tel: 49-89-627-144-0

Fax: 49-89-627-144-44

Germany - Pforzheim

Tel: 49-7231-424750

Italy - Milan

Tel: 39-0331-742611

Fax: 39-0331-466781

Italy - Venice

Tel: 39-049-7625286

Netherlands - Drunen

Tel: 31-416-690399

Fax: 31-416-690340

Poland - Warsaw

Tel: 48-22-3325737

Spain - Madrid

Tel: 34-91-708-08-90

Fax: 34-91-708-08-91

Sweden - Stockholm

Tel: 46-8-5090-4654

UK - Wokingham

Tel: 44-118-921-5800

Fax: 44-118-921-5820

01/27/15