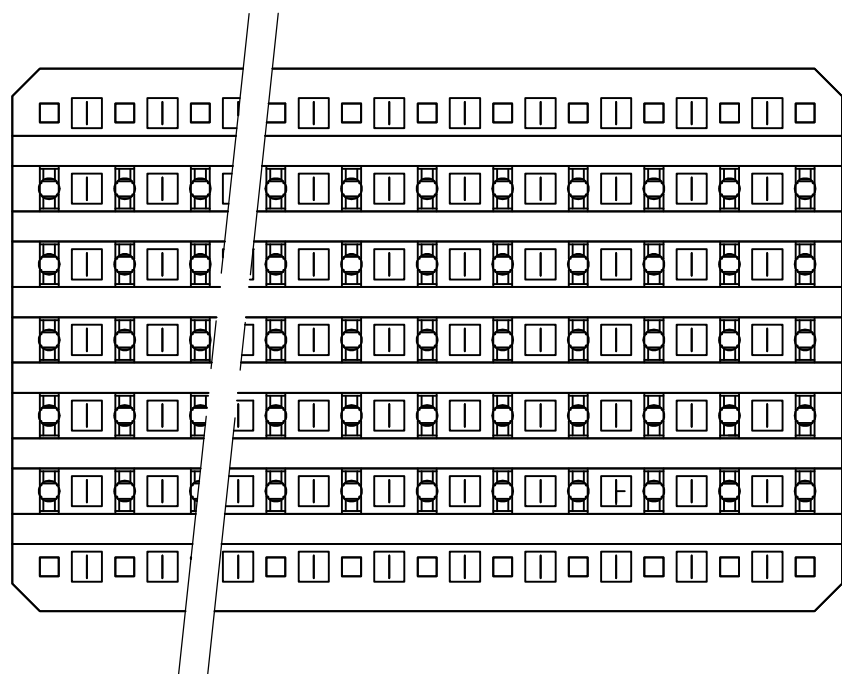
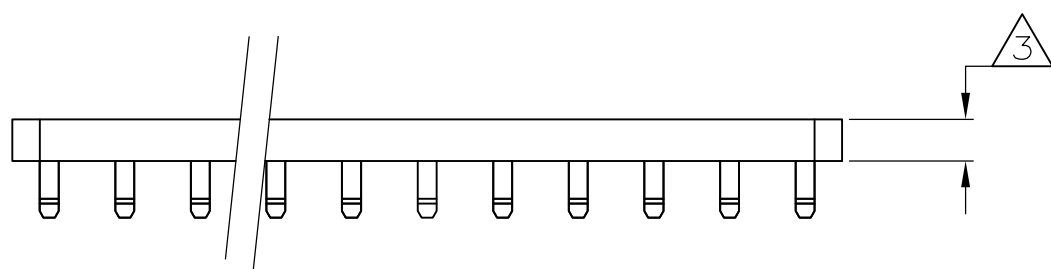
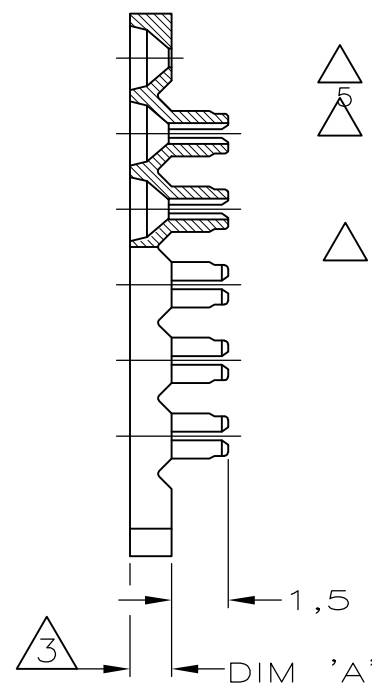
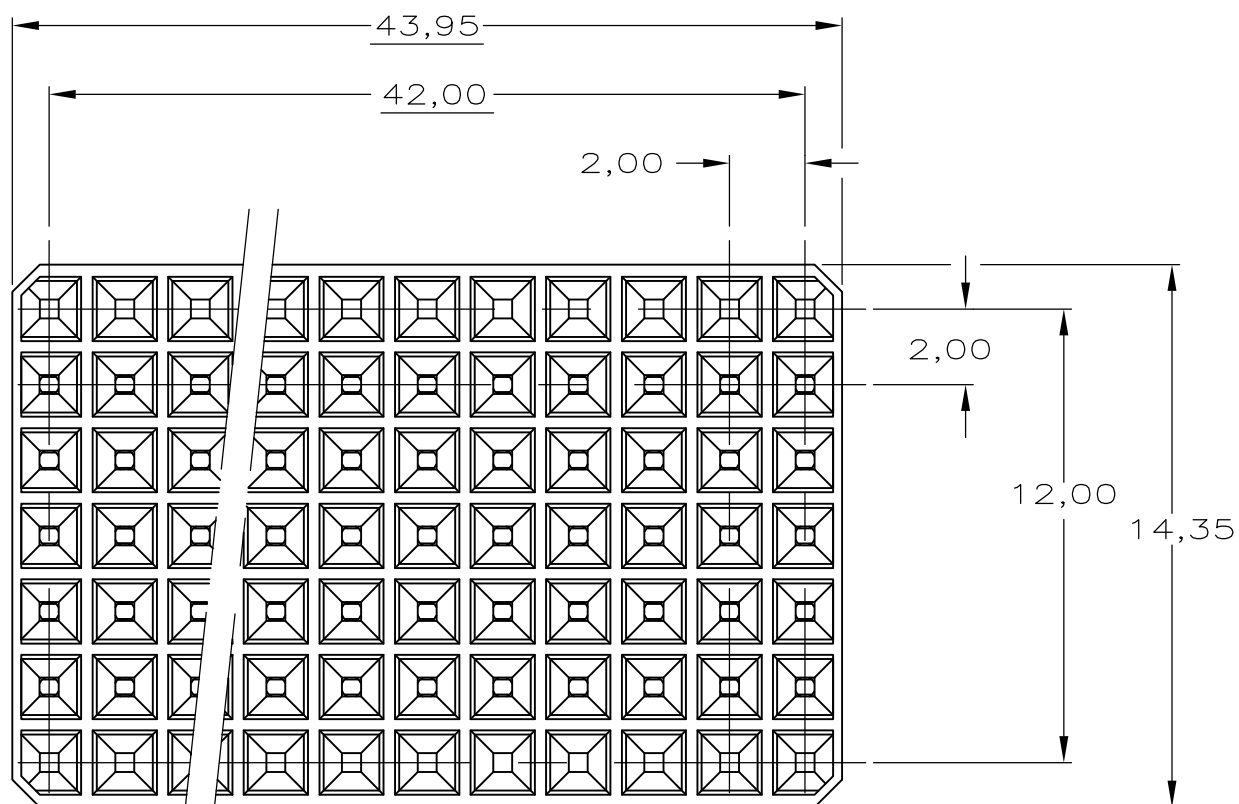


THIS DRAWING IS UNPUBLISHED. RELEASED FOR PUBLICATION
 © COPYRIGHT BY TYCO ELECTRONICS CORPORATION. ALL INTERNATIONAL RIGHTS RESERVED.

LOC	DIST	REVISIONS					
		P	LTR	DESCRIPTION	DATE	DWN	APVD
-	-	C		REVISED PER ECO-11-001163	17JAN11	RC	CW

NOTES:

1. MATERIAL: UNFILLED POLYESTER.(GREY)
2. 0-352129-3 AS SHOWN.
- 3 VARIABLE HEIGHT.
- 4 TO DETERMINE THE RECOMMENDED SPACER-THICKNESS FOR A GIVEN PCB THICKNESS: SEE APPLICATION SPECIFICATION 114-19031.
- 5 OBSOLETE PARTS: OBSOLETE CIS STREAMLINING PER D.RENAUD/D.SINISI



	PARTNUMBER	△4 DIM "A"
OBSOLETE	0-352129-1	0,7
	0-352129-2	0,9
	0-352129-3	1,1
	0-352129-4	1,3
	0-352129-5	1,5
OBSOLETE	0-352129-6	1,7
	0-352129-7	1,9

THIS DRAWING IS A CONTROLLED DOCUMENT.		DWN 16-AUG-96 D. TRUREN	Tyco Electronics Corporation Harrisburg, PA 17105-3608	
DIMENSIONS: mm		CHK 24 JUN 1997 FvKONINGSBRUGGE	NAME Z-PACK 2mm HM SPACER TYPE B 22 COLUMNS	
TOLERANCES UNLESS OTHERWISE SPECIFIED: ±0.2		APVD 24 JUN 1997 FvKONINGSBRUGGE	RESTRICTED TO	
0-PLC ± 1-PLC ± 2-PLC ± 3-PLC ± 4-PLC ± ANGLES ±- FINISH -		PRODUCT SPEC -	SIZE A3	CAGE CODE 00779
MATERIAL -		APPLICATION SPEC -	DRAWING NO C-352129	SCALE -
		WEIGHT -	SHEET 1 OF 1	
		CUSTOMER DRAWING		REV C