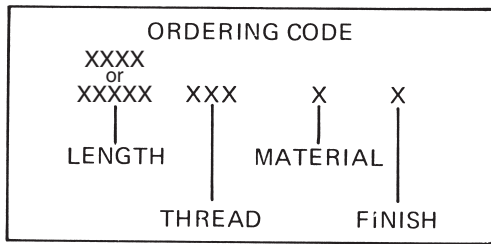
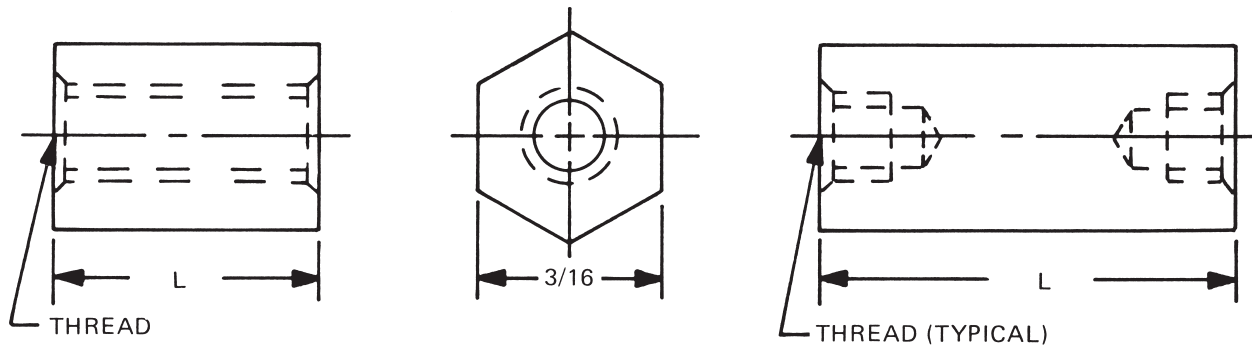




# 3/16 HEX FEMALE STANDOFFS



See page 10 for thread depth chart  
 See page 9 for finish codes  
 For non-standard parts contact Sales Office

LENGTH	PART NO.
3/32	<b>2051A</b>
1/8	<b>2051</b>
5/32	<b>2051T</b>
3/16	<b>2052</b>
7/32	<b>2052T</b>
1/4	<b>2053</b>
9/32	<b>2053T</b>
5/16	<b>2054</b>
11/32	<b>2054T</b>
3/8	<b>2055</b>
13/32	<b>2055T</b>
7/16	<b>2056</b>
15/32	<b>2056T</b>
1/2	<b>2057</b>
17/32	<b>2057T</b>
9/16	<b>2058</b>
19/32	<b>2058T</b>
5/8	<b>2059</b>
21/32	<b>2059T</b>
11/16	<b>2060</b>
23/32	<b>2060T</b>

LENGTH	PART NO.
3/4	<b>2061</b>
25/32	<b>2061T</b>
13/16	<b>2062</b>
27/32	<b>2062T</b>
7/8	<b>2063</b>
29/32	<b>2063T</b>
15/16	<b>2064</b>
31/32	<b>2064T</b>
1"	<b>2065</b>
1-1/16	<b>2066</b>
1-1/8	<b>2067</b>
1-3/16	<b>2068</b>
1-1/4	<b>2069</b>
1-5/16	<b>2070</b>
1-3/8	<b>2071</b>
1-7/16	<b>2072</b>
1-1/2	<b>2073</b>
1-9/16	<b>2074</b>
1-5/8	<b>2075</b>
1-11/16	<b>2076</b>
1-3/4	<b>2077</b>

LENGTH	PART NO.
1-13/16	<b>2078</b>
1-7/8	<b>2079</b>
1-15/16	<b>2080</b>
2"	<b>2081</b>
2-1/16	<b>2082</b>
2-1/8	<b>2083</b>
2-3/16	<b>2084</b>
2-1/4	<b>2085</b>
2-5/16	<b>2086</b>
2-3/8	<b>2087</b>
2-7/16	<b>2088</b>
2-1/2	<b>2089</b>
2-9/16	<b>2090</b>
2-5/8	<b>2091</b>
2-11/16	<b>2092</b>
2-3/4	<b>2093</b>
2-13/16	<b>2094</b>
2-7/8	<b>2095</b>
2-15/16	<b>2096</b>
3"	<b>2097</b>

THREAD	CODE
2-56	256
4-40	440

MATERIAL	CODE	RoHS
Aluminum	AL	YES
Brass	B	YES
Stainless Steel	SS	YES
Steel	S	YES
Nylon	N	YES



RAF ELECTRONIC  
HARDWARE

95 Silvermine Road, Seymour, Ct. 06483 Phone: 203-888-2133 Fax: 203-888-9860  
 e-mail : [info@rafhdwe.com](mailto:info@rafhdwe.com) Web: [www.rafhdwe.com](http://www.rafhdwe.com)

