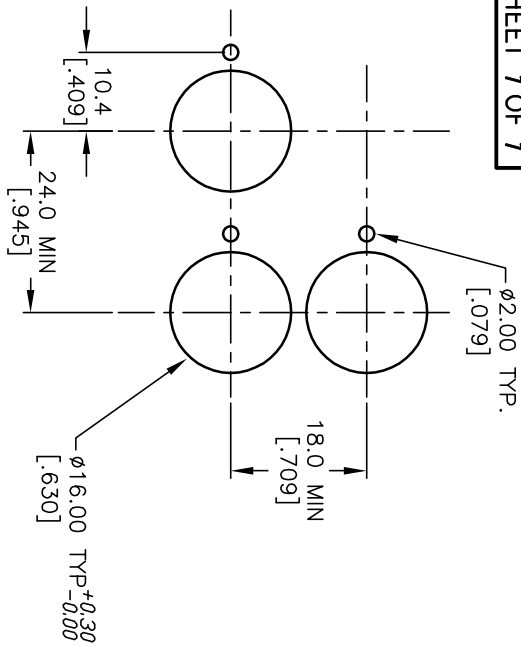


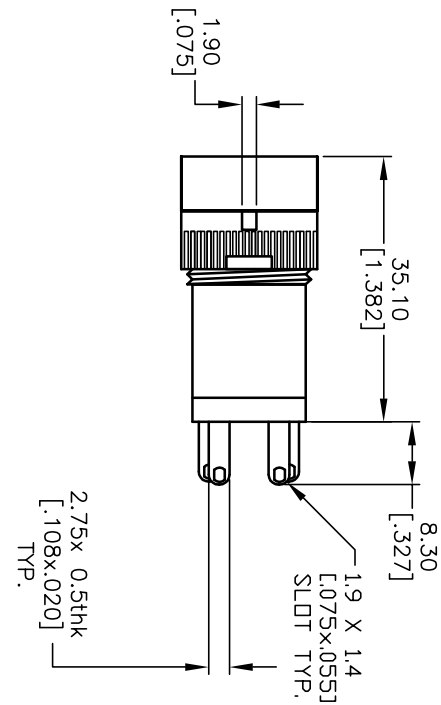
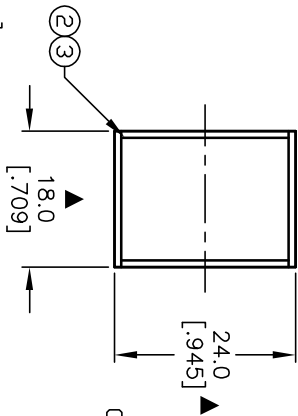
ITEM	QTY.	PART NO.	PART DESCRIPTION
1	1	F040013	P16 EE T11
2	1	F050402	50-004-02 (INCANDESCENT BULB)
3	1	F050205	50-002-05(WHT LENS TRANSPARENT)



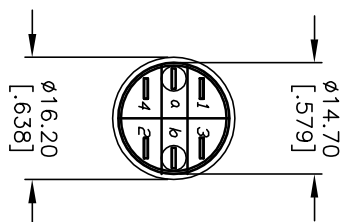
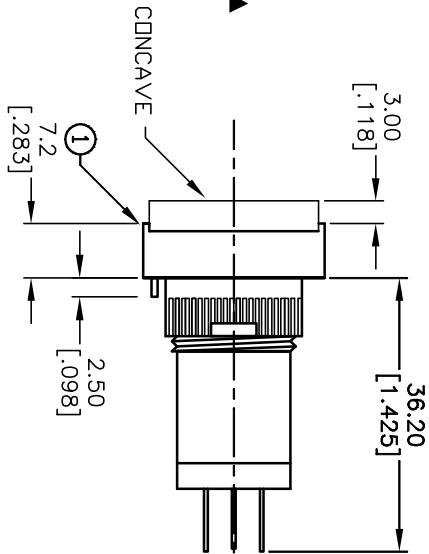
RECOMMEND PANEL MOUNTING

1 0 | 0 2
3 0 0 4
a-(L)-b (+)

SPST
CONTACT CONFIGURATION



2.75x 0.5thk
[.108x.020]
TYP.



NOTES:

1. ALL DIMENSIONS IN MM [INCH]
2. GENERAL TOLERANCE: X:X=±0.4 X:XX=±0.25
3. TERM. NOS. FOR REFERENCE ONLY.
4. RATING: 5A@250V AC / 8A@125V AC
5. MECHANICAL LIFETIME: >2 MILLION OPERATIONS
6. TRAVEL: 3.0MM
7. CONTACT MATERIAL: COPPER ALLOY W/SILVER PLATING
8. LAMP VOLTAGE: 6V AC/ 200mA DC
9. ▲ DENOTES CRITICAL PARAMETER.

E-SWITCH®

P16EET11AWHT

REV.	ECN No.	DESCRIPTION	DATE	CHKD	AR
A	13363	RELEASED FOR PRODUCTION	8/11/03		AR

TITLE	SCALE	DATE	DR	DWG	REV
P16EET11AWHT	1.5:1	8/11/03	AR	XF0564P	A

THE INFORMATION CONTAINED IN THIS DOCUMENT IS PROPRIETARY TO E-SWITCH AND IS NOT TO BE COPIED OR TRANSFERRED