

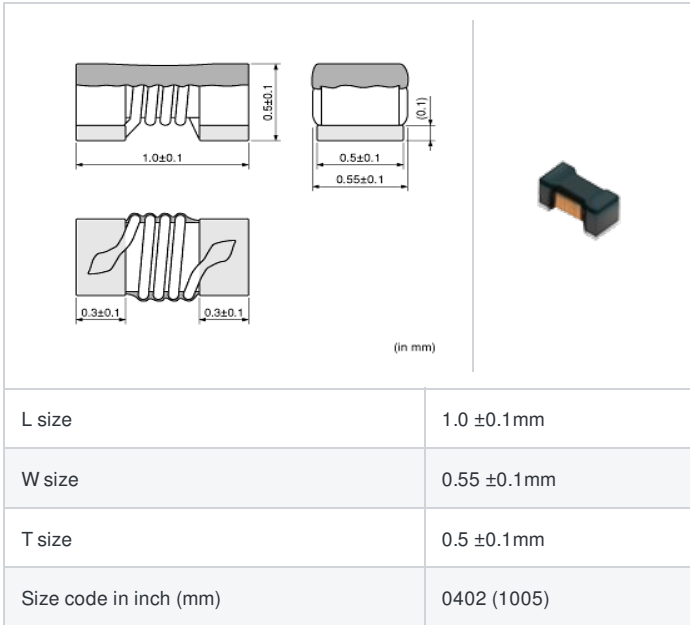
LQW15CN70NJ0Z#

"#" indicates a package specification code.



< List of part numbers with package codes >
LQW15CN70NJ0ZD , LQW15CN70NJ0ZB

Shape



Notes

In operating temperature exceeding +85°C, derating of current is necessary for LQW15C series.
Please apply the derating curve shown in chart according to the operating temperature.
Please confirm "Notice (Rating)".

References

| Packaging code | Specifications | Minimum quantity |
|----------------|---------------------|------------------|
| D | φ180mm Paper taping | 10000 |
| B | Packing in bulk | 500 |

| Mass (Typ.) | |
|-------------|--------|
| 1 piece | 0.001g |

Specifications

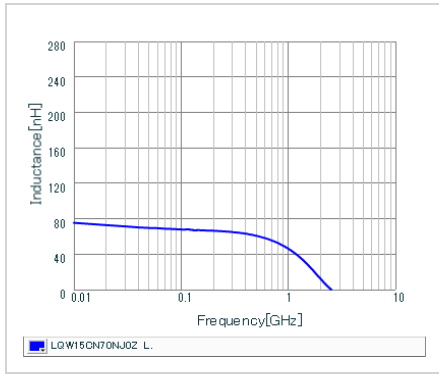
| | |
|---|------------|
| Inductance | 70nH ±5% |
| Inductance test frequency | 100MHz |
| Rated current (Itemp) (Based on Temperature rise) | 820mA |
| Max. of DC resistance | 0.12Ω |
| Self resonance frequency (min.) | 1300MHz |
| Operating temperature range (Self-temperature rise is not included) | -40~125°C |
| Class of magnetic shield | No Shield |
| Series | LQW15CN_0Z |

Attention

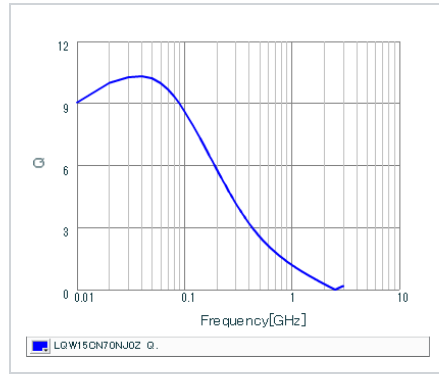
- 1.This datasheet is downloaded from the website of Murata Manufacturing Co., Ltd. Therefore, it's specifications are subject to change or our products in it may be discontinued without advance notice. Please check with our sales representatives or product engineers before ordering.
- 2.This datasheet has only typical specifications because there is no space for detailed specifications. Therefore, please review our product specifications or consult the approval sheet for product specifications before ordering.

Chart of characteristic data (The charts below may show another part number which shares its characteristics.)

▪ Inductance-Frequency characteristics (Typ.)



▪ Q-Frequency characteristics (Typ.)



▪ Notice (Rating)

In operating temperature exceeding +85°C, derating of current is necessary for LQW15C series. Please apply the derating curve shown in chart according to the operating temperature.

Derating of Rated Current

This graph illustrates the derating of the rated current for the LQW15C series as a function of operating temperature. The y-axis is Rated Derating in percent (%), ranging from 0 to 100 with major grid lines every 50 units. The x-axis is Operating Temperature in degrees Celsius (°C), ranging from 0 to 125 with major grid lines every 25 units. The curve shows that the rated current is maintained at 100% up to 85°C. Above 85°C, the rated current is derated linearly, reaching 50% at 125°C.

| Operating Temperature (°C) | Rated Derating (%) |
|----------------------------|--------------------|
| 0 | 100 |
| 85 | 100 |
| 125 | 50 |

⚠ Attention

- 1.This datasheet is downloaded from the website of Murata Manufacturing Co., Ltd. Therefore, it's specifications are subject to change or our products in it may be discontinued without advance notice. Please check with our sales representatives or product engineers before ordering.
- 2.This datasheet has only typical specifications because there is no space for detailed specifications. Therefore, please review our product specifications or consult the approval sheet for product specifications before ordering.