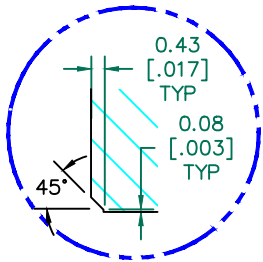


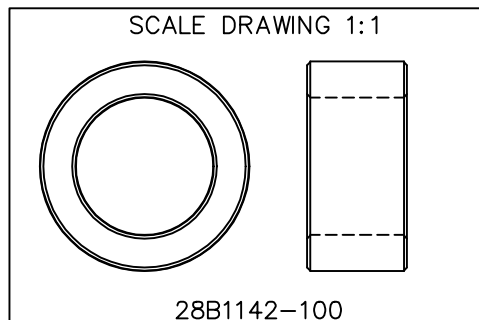
SEE DETAIL "A" SECTION A-A



DETAIL "A"  
CHAMFER  
SCALE=4:1

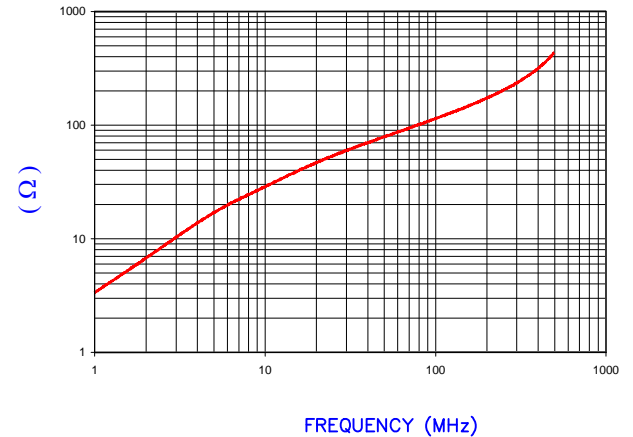
NOTES: UNLESS OTHERWISE SPECIFIED

1. COSMETIC SPECIFICATION REFER TO WI-QA-038.



IMPEDANCE ( Z )			
Frequency	25 MHz	100 MHz	300 MHz
Nominal (REF)	54 Ω	114 Ω	235 Ω
Minimum	- Ω	91 Ω	- Ω

Z vs. FREQUENCY  
(REF. ONLY)



AGILENT E4991A Impedance/Material Analyzer  
HP 16092A Test Fixture

**UNCONTROLLED DOCUMENT**

FERRITE CORE DIMENSIONS (SPEC): mm/inches

A	29.01 [1.142]	+	0.51 [.020]
B	19.00 [.748]	+	0.38 [.015]
C	13.84 [.545]	+	0.35 [.014]

WEIGHT/1000 25.67 kgs [56.59 Lbs]

DIMENSIONS ARE IN mm [INCHES].				This print is the property of Laird Tech. and is loaned in confidence subject to return upon request and with the understanding that no copies shall be made without the written consent of Laird Tech. All rights to design or invention are reserved.			
REV	DESCRIPTION	DATE	INT				
F	UPDATE LOGO	05/22/15	QIU	PROJECT/PART NUMBER: 28B1142-100		REV F	DRAWN BY: Jcai
E	UPDATE PRINT FORMAT, Z SPECS & CURVE CHANGE C TOLERANCE TO 0.35[.014]	07/22/03	JRK	DATE: 12/28/92	SCALE: 1.5 : 1	MATERIAL: Ferrite	
D	UPDATE PRINT, REM COATING SPECS CHG P/N FROM 00* ADD Z CURVE UPDATE Z SPECS	11/07/02	JRK	CAD # 28B1142-100-F	TOOL # B1142		
C	CHG P/N ADD COATING SPECS	03/19/99	IS				
B	UPDATED P/N FOR NEW CATALOG	10/31/95	JBE				
A	ORIGINAL DRAFT	12/28/92	LNK				
REV	DESCRIPTION	DATE	INT				