



4.5 x 4.0 x 3.2mm

FEATURES:

- Suitable for RoHS reflow profile
- High current rating and low DCR
- Special lead wire design to prevent open circuit failure
- Excellent terminal strength to mechanical stress

APPLICATIONS:

- OA equipments
- PC and notebook
- LCD TV set
- Power supply

ELECTRICAL SPECIFICATIONS:

Abracon P/N:	ASPI-0403 Series
Operating Temperature:	-40°C to +85°C
Storage Temperature:	+5°C to +40°C

PART NUMBER	INDUCTANCE (uH)	Tolerance	DCR (Ω) max	IDC (A) max	Inductance Code
ASPI-0403-1R0	1.0	M	0.0487	2.56	1R0
ASPI-0403-1R4	1.4	M	0.0562	2.52	1R4
ASPI-0403-1R8	1.8	M	0.0637	1.95	1R8
ASPI-0403-2R2	2.2	M	0.0712	1.75	2R2
ASPI-0403-2R7	2.7	M	0.0787	1.58	2R7
ASPI-0403-3R3	3.3	M	0.0862	1.44	3R3
ASPI-0403-3R9	3.9	M	0.0937	1.33	3R9
ASPI-0403-4R7	4.7	M	0.1087	1.15	4R7
ASPI-0403-5R6	5.6	M	0.1257	0.99	5R6
ASPI-0403-6R8	6.8	M	0.1312	0.95	6R8
ASPI-0403-8R2	8.2	M	0.1462	0.84	8R2
ASPI-0403-100	10	K	0.1820	1.04	100
ASPI-0403-120	12	K	0.2100	0.97	120
ASPI-0403-150	15	K	0.2350	0.85	150
ASPI-0403-180	18	K	0.3380	0.74	180
ASPI-0403-220	22	K	0.3780	0.68	220
ASPI-0403-270	27	K	0.5220	0.62	270
ASPI-0403-330	33	K	0.5400	0.56	330
ASPI-0403-390	39	K	0.5870	0.52	390
ASPI-0403-470	47	K	0.8440	0.44	470
ASPI-0403-560	56	K	0.9370	0.42	560
ASPI-0403-680	68	K	1.1170	0.37	680

Test Conditions

Inductance: Test Frequency is 7.96MHz (1.0μH ~ 8.2μH); 2.52MHz(10μH ~ 68μH)

Isat: ΔL/L (initial) ≥ -10% or ΔT=40°C (Ta=20°C), whichever is lower.

OPTIONS AND PART IDENTIFICATION

ASPI-0403- [] [] - []

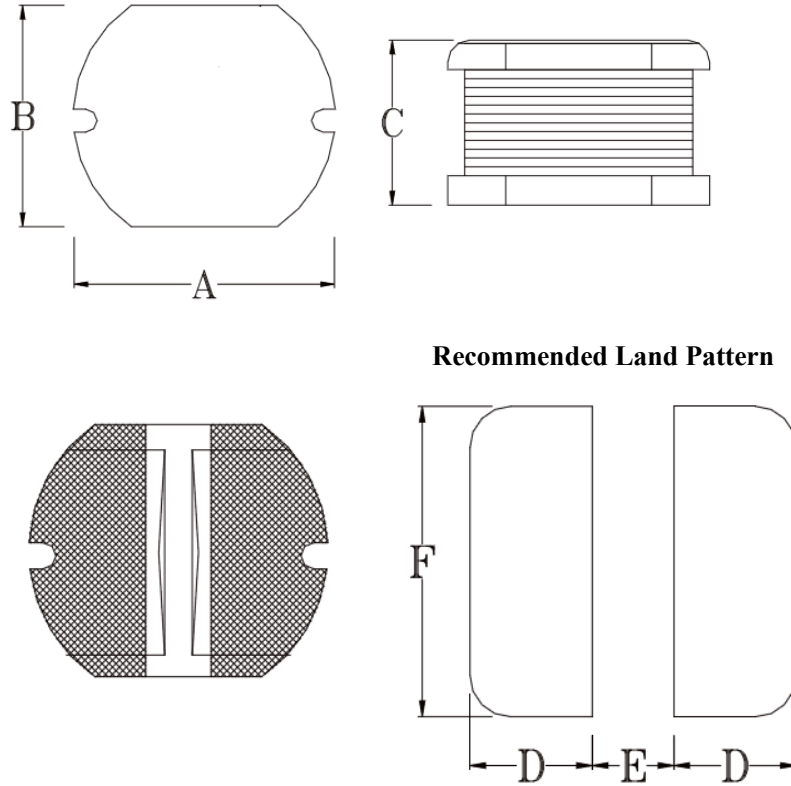
Inductance Code
Please refer to the table above

Tolerance %
K: ± 10%
M: ± 20%

Packaging
T: Tape and Reel (1.5kpcs / reel)



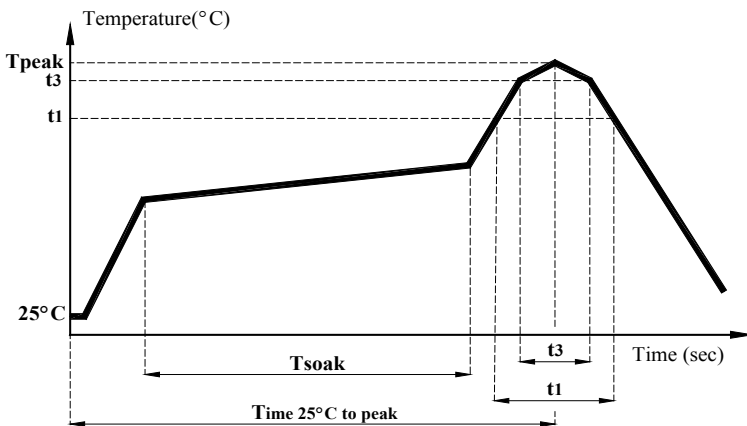
OUTLINE DRAWING:



A	B	C	D	E	F
4.5±0.3	4.0±0.3	3.2±0.30	1.80	1.50	4.50

Dimension: mm

REFLOW PROFILE:

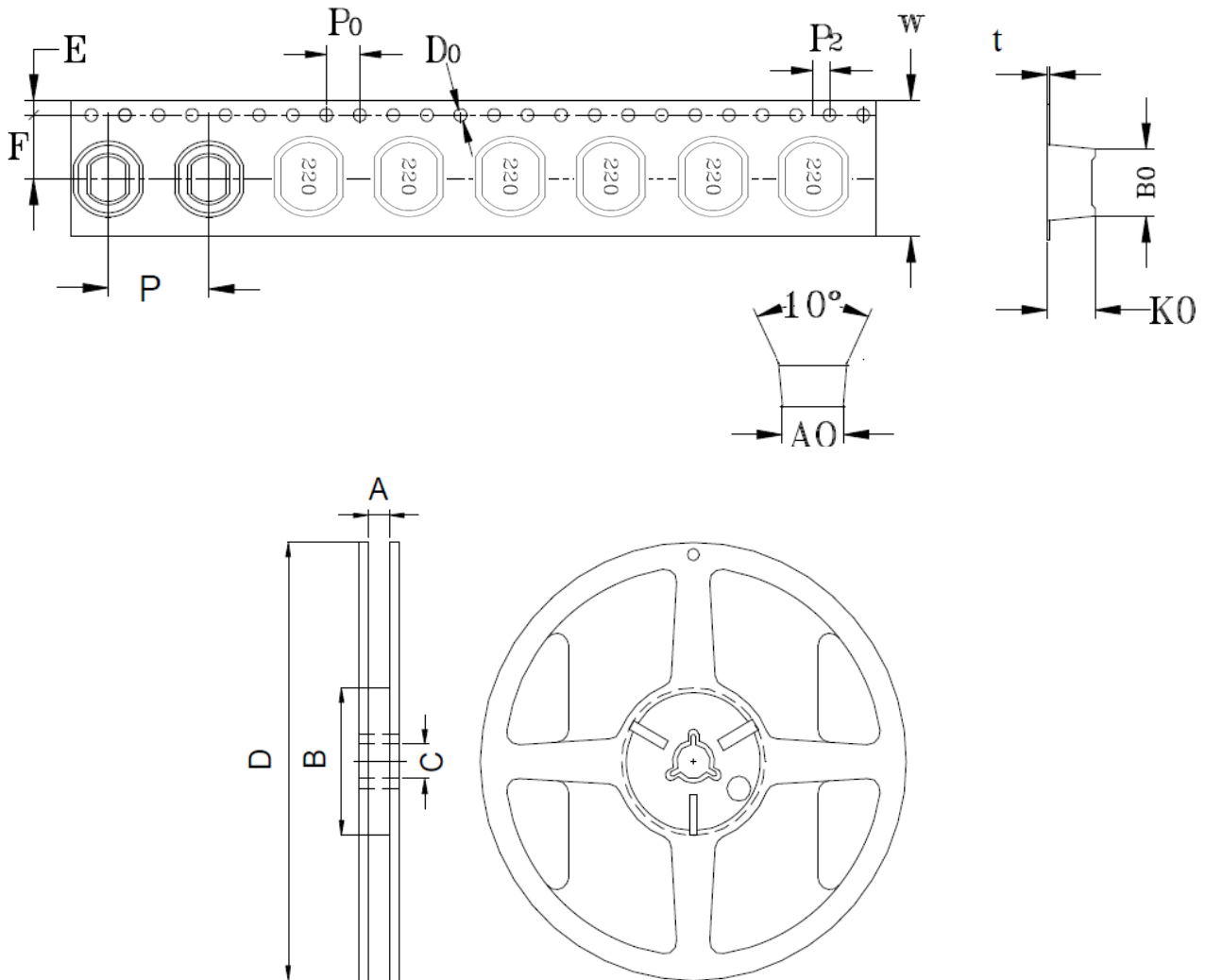


Item	mark	
Temperature rise gradient		3°C/sec (max)
Heating time	Tsoak	50s ~ 150s
Heating temperature		120°C~180°C
Time over 217°C	t1	70 sec
Time within 5°C of actual peak temperature	t3	10~30 sec
Peak temperature	Tpeak	250 (+0 / -5 °C)
Time 25°C to peak Temperature		6 minutes max.



TAPE & REEL:

T: 1,500pcs / reel



CARRIER TAPE / SIZE (mm)										REEL 13"×24mm			
A0	B0	K0	F	E	W	P	P0	P2	t	A	B	C	D
4.2 ± 0.1	4.8 ± 0.1	3.3 ± 0.1	5.5 ± 0.1	1.75 ± 0.1	12 ± 0.3	8 ± 0.1	4 ± 0.1	2 ± 0.1	0.4 ± 0.05	12.5 ± 0.5	100 ± 0.5	13.2 ± 0.3	330 ± 1.0

Dimension: mm

ATTENTION Abracon Corporation's products are COTS – Commercial-Off-The-Shelf products; suitable for Commercial, Industrial and, where designated, Automotive Applications. Abracon's products are not specifically designed for Military, Aviation, Aerospace, Life-dependant Medical applications or any application requiring high reliability where component failure could result in loss of life and/or property. For applications requiring high reliability and/or presenting an extreme operating environment, written consent and authorization from Abracon Corporation is required. Please contact Abracon Corporation for more information.