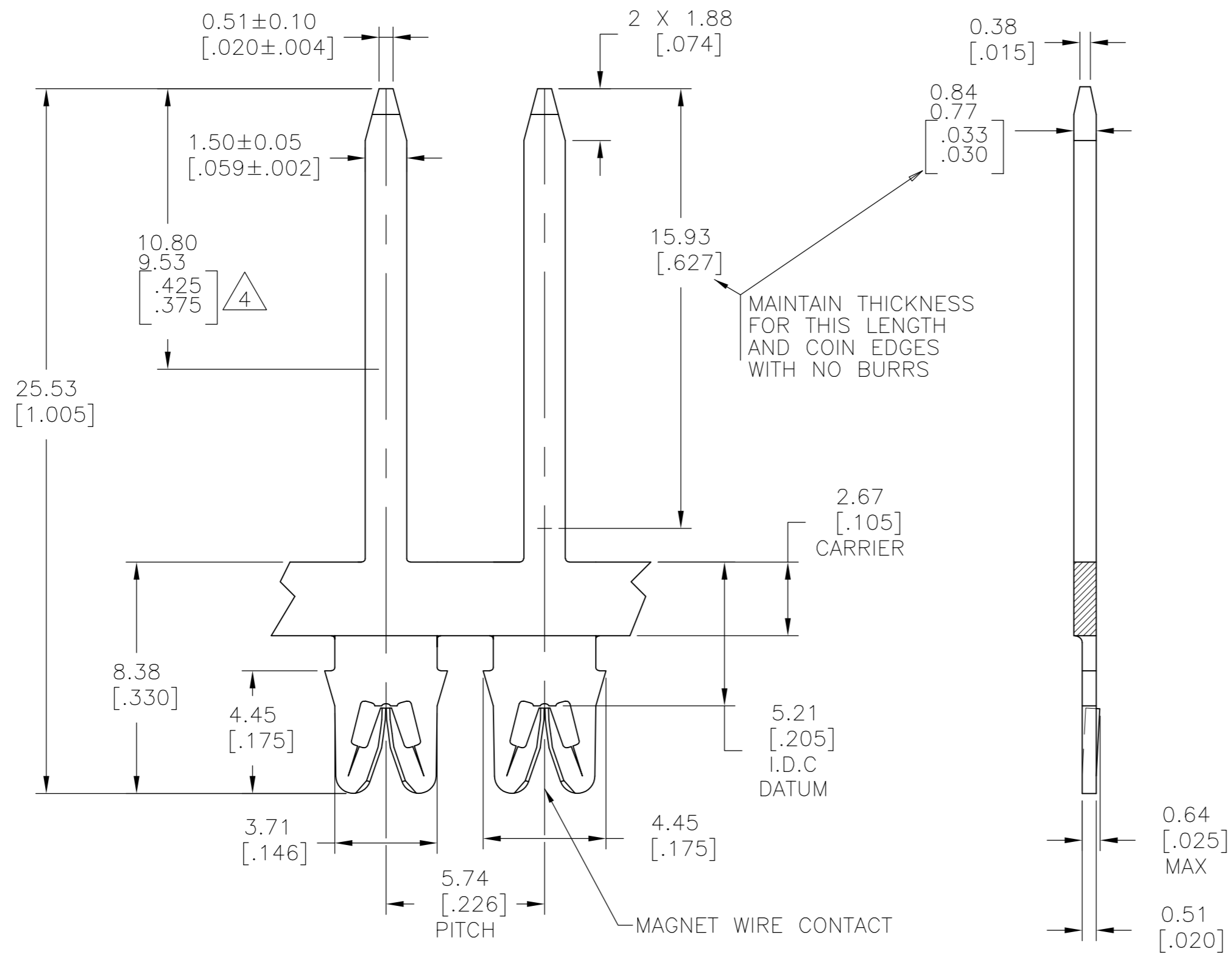
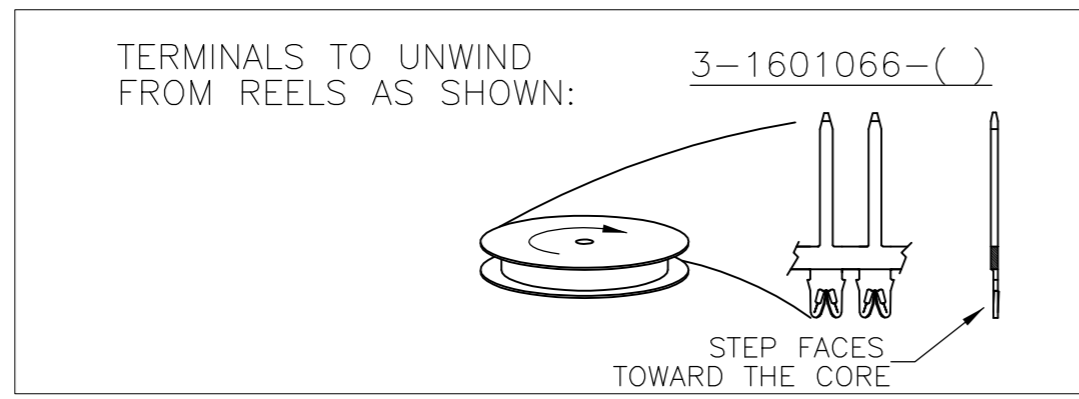
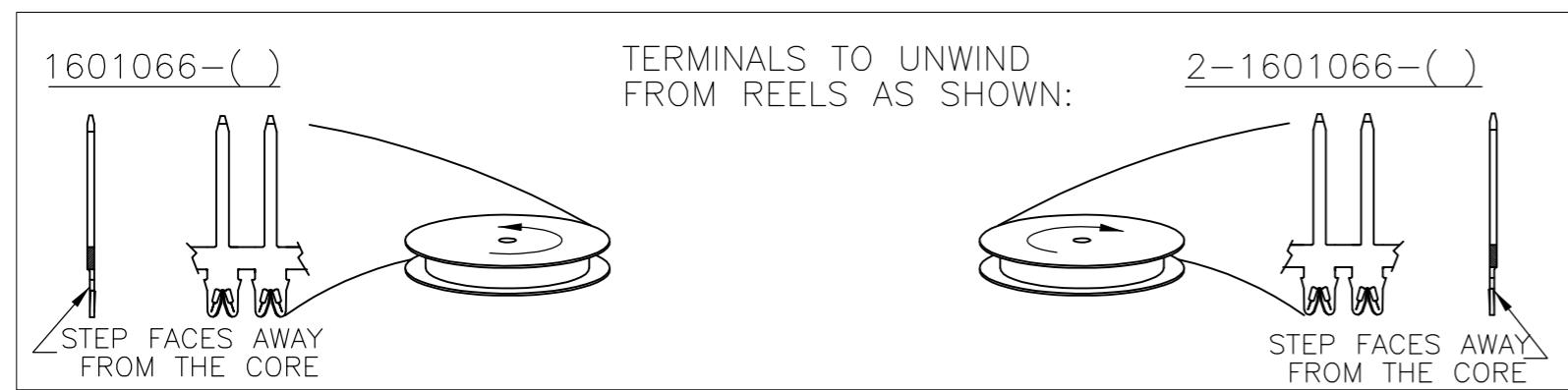
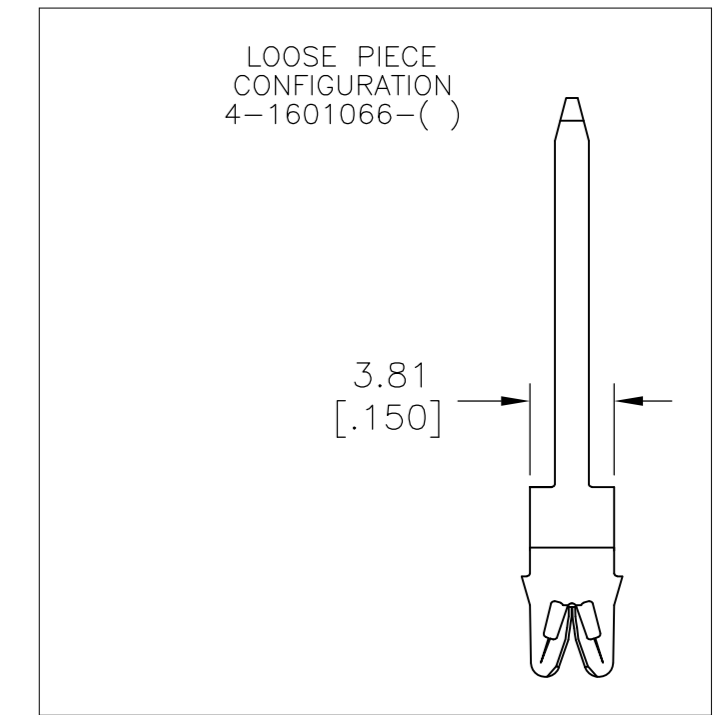


THIS DRAWING IS UNPUBLISHED. RELEASED FOR PUBLICATION  
 © COPYRIGHT BY TYCO ELECTRONICS CORPORATION. ALL INTERNATIONAL RIGHTS RESERVED.

LOC		DIST		REVISIONS			
P	LTR	DESCRIPTION	DATE	DWN	APVD		
AF	50	E2	REVISED PER ECR-09-005398	11MAR09	HMR	GJ	



- 1 SPECIFICATIONS: MAGNET WIRE #18 - #34 AWG 1.02(.040") - 0.16(.006") DIA COPPER.
- 2 POCKET RECOMMENDATION: # 1601431
- 3 TERMINAL APPLICATION TO COMPLY WITH TYCO ELECTRONICS SPECIFICATION 114-13166 FIGURE 10
- 4 SELECTIVELY POST PLATED WITH GOLD FOR THE LENGTH INDICATED. ENTIRE TERMINAL IS NICKEL UNDERPLATED.
- 5 PRELIMINARY - NOT FOR PRODUCTION



PRE-TIN PLATE OVER COPPER UNDERPLATE	-	5 4-1601066-2
4	-	5 3-1601066-3
PRE-TIN PLATE OVER COPPER UNDERPLATE	-	3-1601066-2
PRE-TIN PLATE OVER COPPER UNDERPLATE	131-134-014	2-1601066-2
PRE-TIN PLATE OVER COPPER UNDERPLATE	131-133-014	1601066-2
FINISH	REFERENCE PART NUMBER	TE PART NUMBER
THIS DRAWING IS A CONTROLLED DOCUMENT.	DWN J.WELLER 11JAN2002	Tyco Electronics Corporation Harrisburg, PA 17105-3608
DIMENSIONS: mm [INCHES]	CHK M.FEHER 11JAN2002	
TOLERANCES UNLESS OTHERWISE SPECIFIED:	APVD K.RANDOLPH 11JAN2002	
0 PLC ± -	PRODUCT SPEC	NAME
1 PLC ± 0.25[.010]	108-2085	STANDARD RANGE WIRE TO .059 X .032 TAB SIAMEZE TERMINAL
2 PLC ± 0.13[.005]	APPLICATION SPEC	SIZE CAGE CODE DRAWING NO RESTRICTED TO
3 PLC ± -	3	A2 00779 C=1601066
4 PLC ± -	WEIGHT -	SCALE 6:1 SHEET 1 OF 1 REV E2
ANGLES ± 2°	FINISH SEE TABLE	CUSTOMER DRAWING
MATERIAL BRASS, 3/4 HARD		