

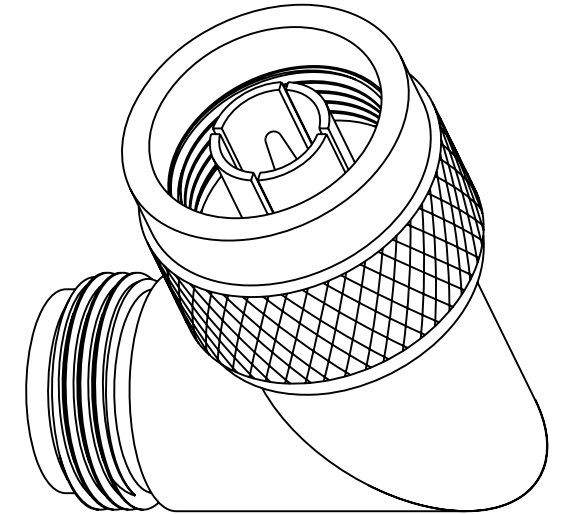
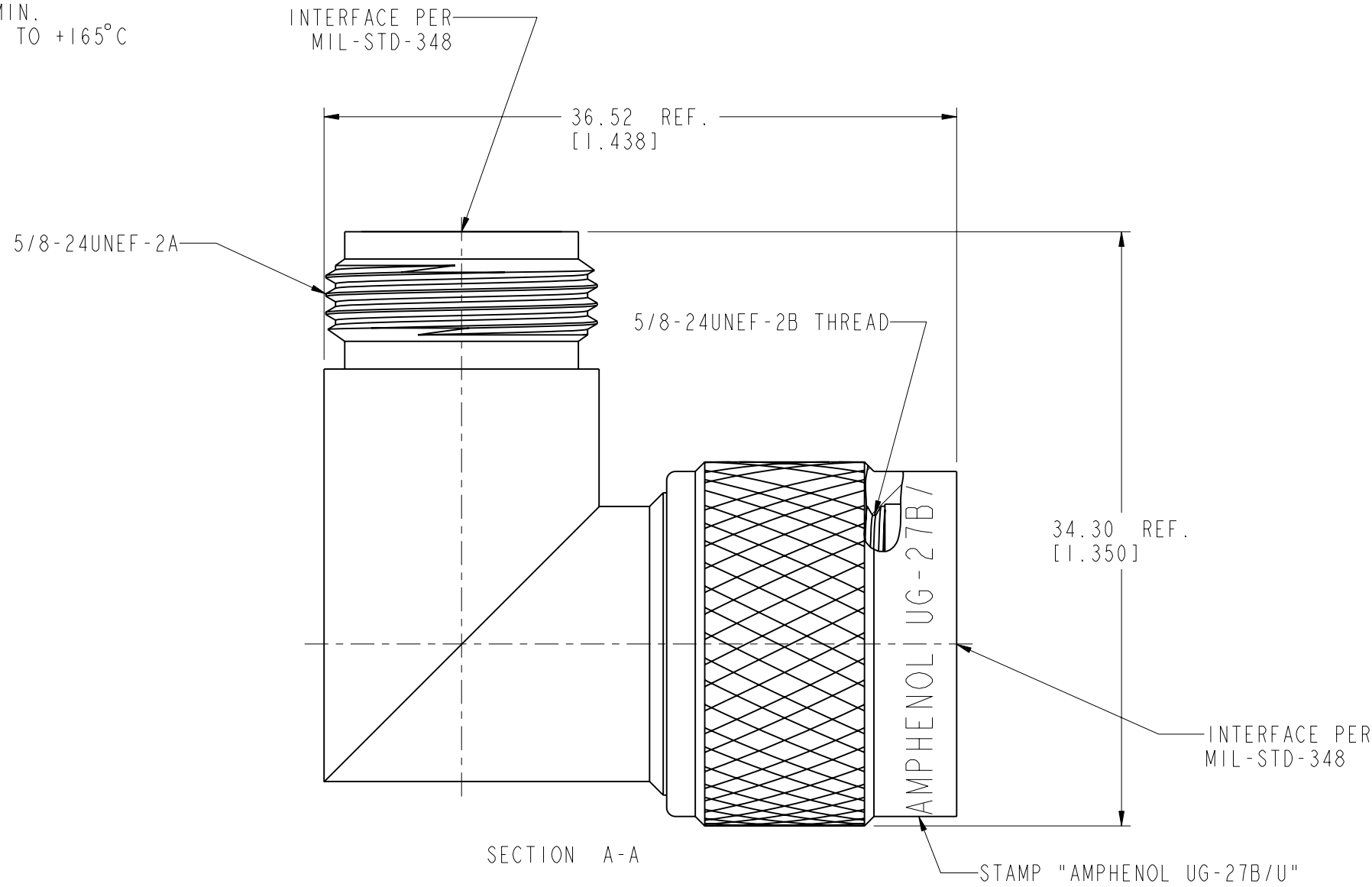
NOTES:

- 1. MATERIALS AND FINISHES:  
 BODY - BRASS, NICKEL PLATED.  
 CONTACT - BERYLLIUM COPPER, SILVER PLATED  
 INSULATOR - PTFE, NATURAL
- 2. ELECTRICAL:  
 A. IMPEDANCE: 50 OHM
- 3. MECHANICAL:  
 A. DURABILITY: 500 CYCLES MIN.  
 B. TEMPERATURE RANGE: -65°C TO +165°C

THIRD ANGLE PROJ.

REVISIONS

REV	DESCRIPTION	DATE	ECO	APPR
	OFFICIAL ENG.RELEASE TO MFG.			
W	STAMP "AMPHENOL" WAS "74868" & ADDED COD\RD-DM12092001R3	23-Oct-12	49079	DH



SCALE 2.000

**CUSTOMER OUTLINE DRAWING**

ALL OTHER SHEETS ARE FOR INTERNAL USE ONLY

UNLESS OTHERWISE SPECIFIED, DIMENSIONS ARE IN METRIC AND TOLERANCES ARE: <0.5mm ±0.05mm    0.5 - 6mm ±0.1mm    6 - 30mm ±0.2mm    30 - 120mm ±0.3mm    ANGLES ±1°	MATERIAL	DRAWN R. MAO	DATE 01-Aug-12	TITLE TYPE 'N' ADAPTOR RIGHT ANGLE UG-27B/U	Amphenol RF Danbury CT USA, Tainan, Taiwan, Shenzhen, China www.amphenolrf.com
	REFERENCE	ENGINEER S. P	DATE 07-Mar-66		
	FINISH	APPROVED S. HSIEH	DATE 01-Aug-12	SCALE: 3.0:1.0    SHEET 2 OF 2	
		CAD FILE		DWG SIZE B    REV W	
NOTICE - These drawings, specifications, or other data (1) are, and remain the property of Amphenol corp. (2) must be returned upon request; and (3) are confidential and not to be disclosed to any person other than those to whom they are given by Amphenol Corp. the furnishing of these drawings, specifications, or other data by Amphenol Corp., or to any other person to anyone for any purpose is not to be regarded by implication or otherwise in any manner licensing, granting rights to permitting such holder or any other sperson to manufacture, use or sell any product, process or design, patented or otherwisle, that may in any way be related to or disclosed by said drawings, specifications, or other data.					DRAWING NO. 82-98 ITEM NO. 82-98 PART NO. 82-98