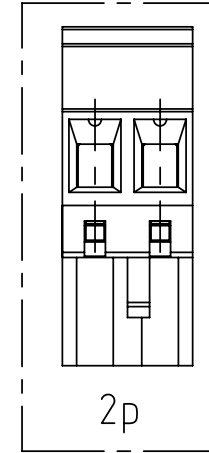
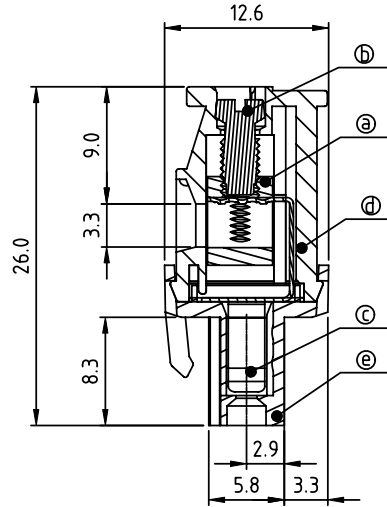
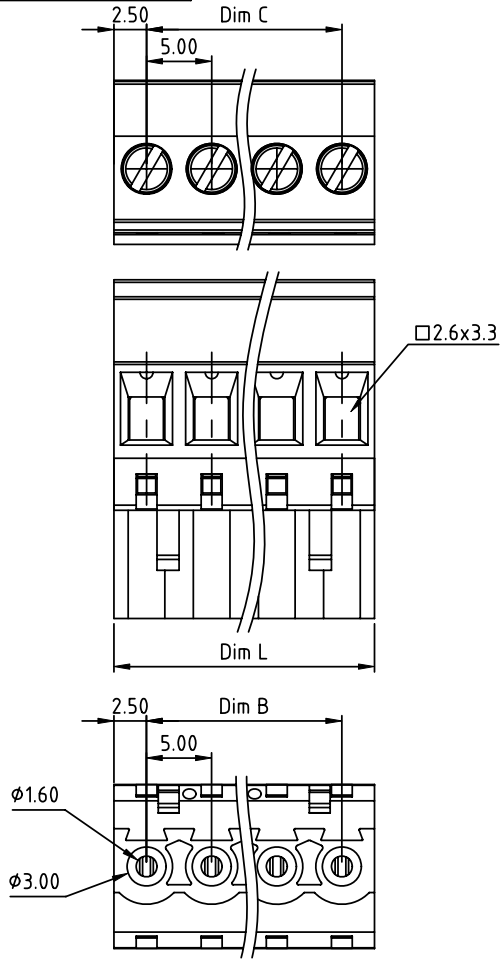


PRODUCT NUMBER	PITCH
TSxx71xA00J0G	5.00 mm



Material

- Item A Clamp: Brass(CuZn),Nickel plated
- Item B Terminal screw: Steel Zinc plating "-" slot type
- Item C Female contact: PhBz, Tin plated
- Item D Top body: Thermoplastic (UL94V-0)
- Item E Bottom body: Thermoplastic (UL94V-0)

Electrical cULus/VDE/TUV

- Voltage rating: 300VAC/300VAC/300VAC
- Current rating: 15A/17A/15A
- Wire range: 2.5mm²/0.34-2.5mm²
- Solid wire(AWG): 12-24
- Stranded wire(AWG): 12-24
- Torque: 3.5Lb-In./0.5Nm/0.4Nm
- Screw: M3
- Wire strip length: 6-7mm
- Withstanding Voltage: 1.6KV/2.5KV/2.5KV
- Operating temperature: -40°C to +115°C
- Safety approval:

DIMENSION
N = Number of poles

Dim L	NX5.0
Dim B	(N-1)X5.0
Dim C	(N-1)X5.0

Poles	Tolerance
2p-6p	±0.15
7p-12p	±0.25
13p-18p	±0.30
19p-24p	±0.40

PART NO.: TS xx 71 x A 00J0 G

Solid block	0	Color	Black (RAL9005)	RoHS compliant (lead<4%) In copper Alloy
No. of poles	2	Color	Red (RAL3001/D)	
02 2 poles	3	Color	Orange(RAL2011/P)	
03 3 poles	4	Color	Yellow(RAL1018/A)	
...	...	Color	Green(RAL6018/T)	
24 24 poles	6	Color	Blue (RAL5015/A)	
	8	Color	Grey(RAL7035/D)	
	9	Color	White(RAL1102)	
	C	Color	Green(RAL6018/U)	

mat'l. code		surface ASME Y14.5	tolerance ASME Y14.5	projection 	product family TERMINAL BLOCK
ltr	ecn no	dr	date	tolerances unless otherwise specified	title TERMINAL BLOCK
				angles 	PLUGGABLE PLUG,HOOK ON ENTRY SIDE,WITHOUT FLANGE
				X±1°	scale
		dr	EVIN ZHONG	041914	dwg no
		enr	EVIN ZHONG	041914	sheet 1 of 1
		chr	HANKE FENG	041914	size A4
		appd	SHI JUN	041914	type CUSTOMER Drawing
sheet index	revision	A			
	sheet	1			