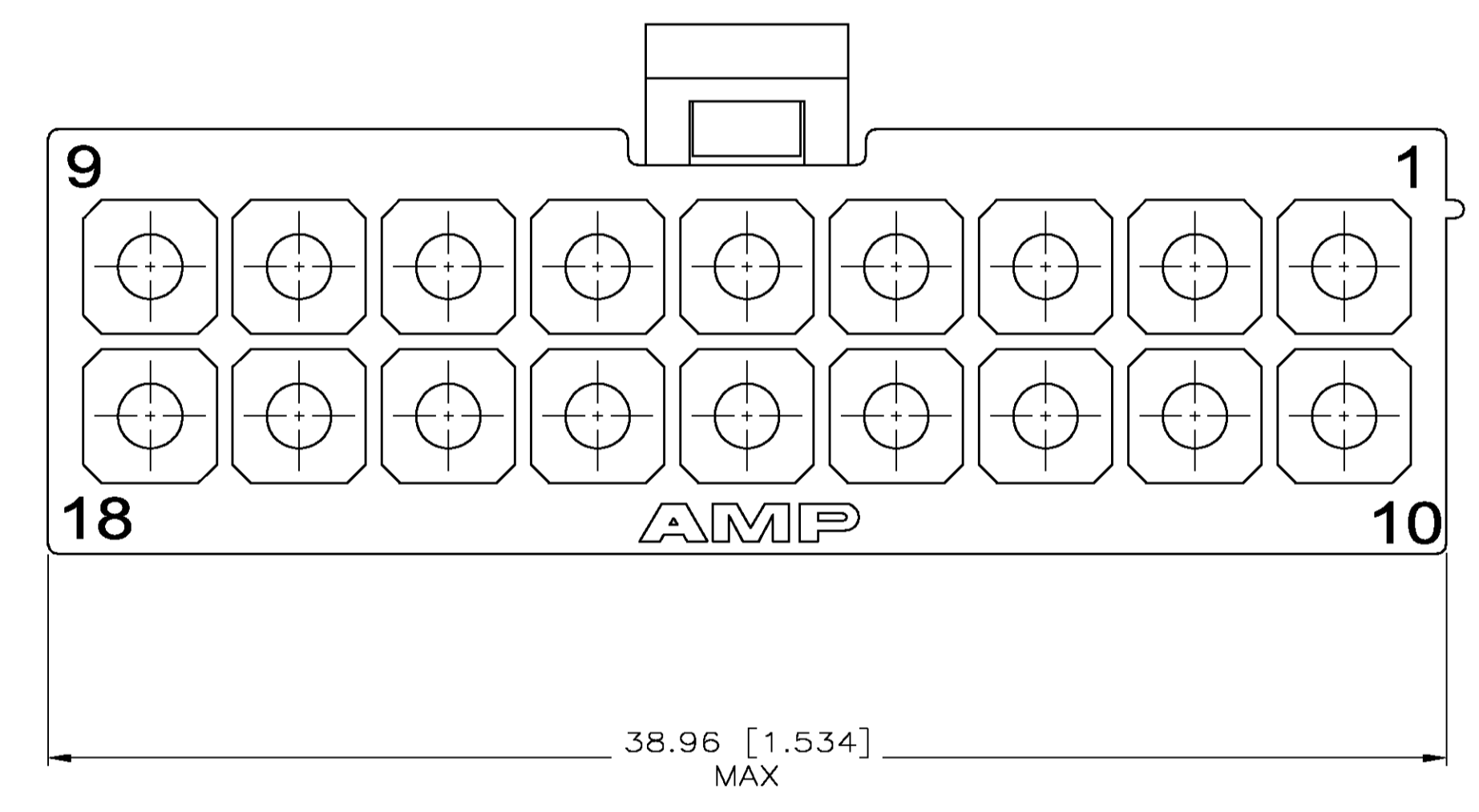
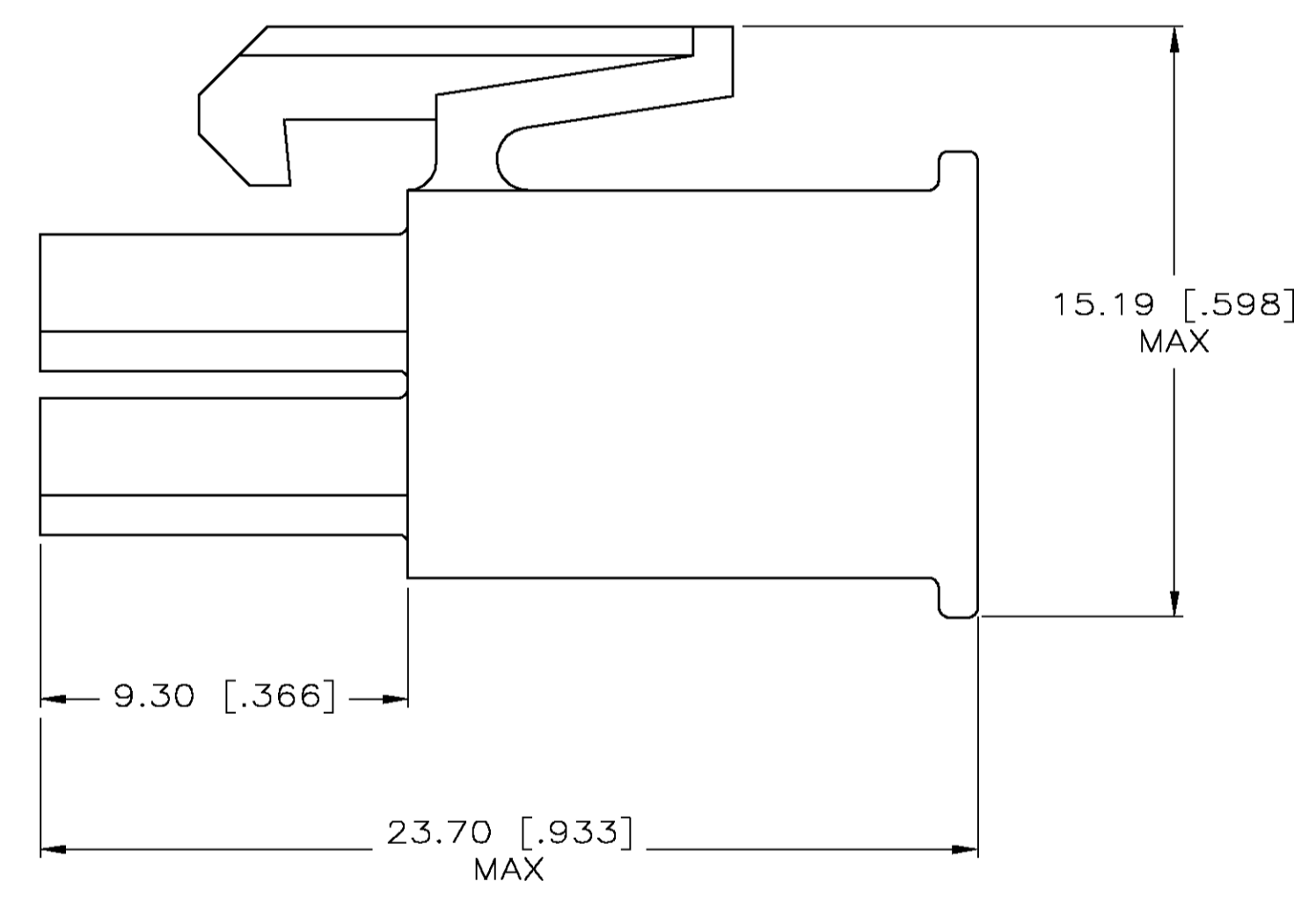
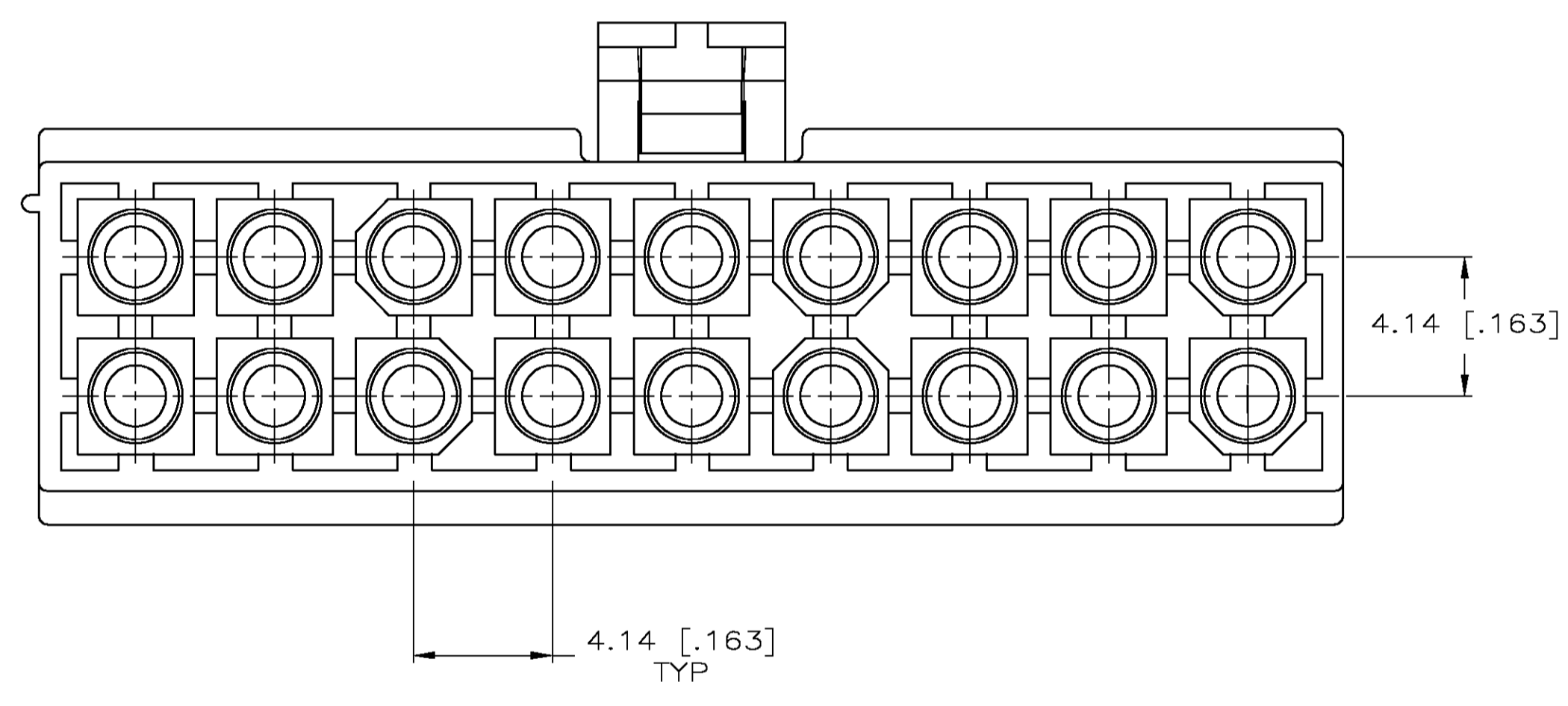
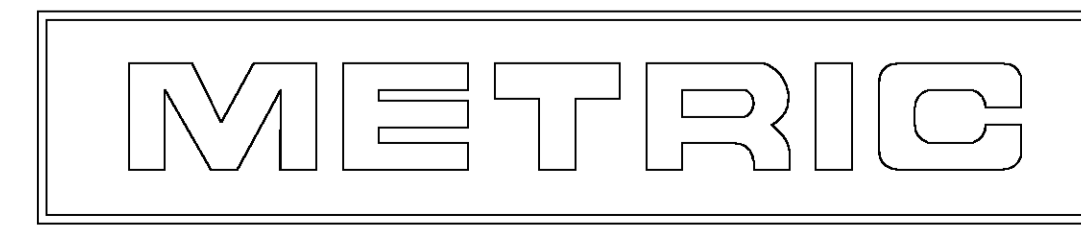


LOC		DIST		REVISIONS			
P	LTR	DESCRIPTION	DATE	OWN	APVD		
CM	00	E	REVISED PER 0G3B-0960-04	22-NOV-04	KW	CJ	

1. INDIVIDUAL CORING FEATURES AROUND BASES OF SILOS MAY NOT BE PRESENT IN ALL LOCATIONS SHOWN.



770584-1
PART NUMBER



THIS DRAWING IS A CONTROLLED DOCUMENT.		DWN S. HOOVER 12-MAY-2004 DRK C. JONES 12-MAY-2004 APVD C. JONES 12-MAY-2004 PRODUCT SPEC	tyco Electronics Tyco Electronics Corporation Harrisburg, Pa 17105-3608
DIMENSIONS: mm [INCHES]	TOLERANCES UNLESS OTHERWISE SPECIFIED: 0 PLG ± 1 PLG ± 2 PLG ± 3 PLG ± 0.13 [.005] 4 PLG ± ANGLES ± - FINISH	NAME PLUG, 18 CIRCUIT, MINI UNIVERSAL MATE-N-LOK™ APPLICATION SPEC	SIZE A1 CAGE CODE 00779 DRAWING NO 770584 RESTRICTED TO E
MATERIAL NYLON, UL 94V-0 WHITE	WEIGHT CUSTOMER DRAWING	SCALE 6:1	SHEET 1 OF 1 REV E