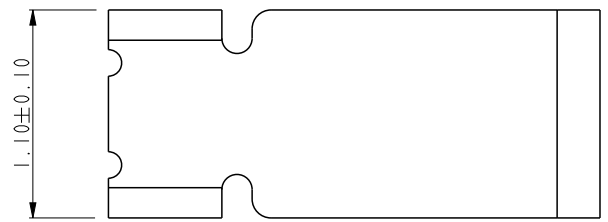
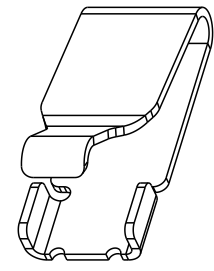
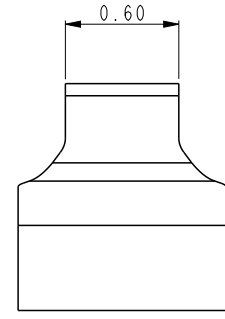
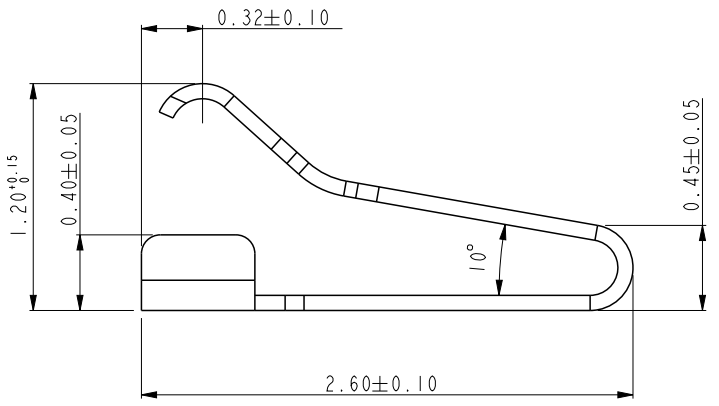




Copyright FCI.

PRODUCT NO.	
FCI	10123973-004RLF



NOTES:

- 1.MATERIAL: STAINLESS STEEL.
- 2.CONTACT PLATING:
CONTACT AREA: PLATING 8 MICROINCH Au OVER Ni UNDERPLATE,
SOLDER AREA : PLATING GOLD FLASH OVER Ni UNDERPLATE.
- 3.PACKAGING: TAPE & REEL
- 4.PART NUMBER DESCRIPTION:
10123973-0 0 X X X



spec ref	*	dr	Andy Lu	2013/04/17	projection 	mm 	size	A4	scale	25 : 1
tolerance std	TOLERANCES UNLESS OTHERWISE SPECIFIED	eng	Andy Lu	2013/04/19			ecn no	-		
ASME Y14.5		chr	Young Ou	2013/04/19			rel level	Released		
surface	linear	appr	Pei-Ming Zheng	2013/04/19	product family	-	rev			
ASME Y14.5	0.X	±0.3		title	UNIVERSAL CONTACT	dwg no	10123973	rev	A	
	0.XX	±0.15								
	0.XXX	±0.050								
angular	0°	±2°	www.fci.com	cat. no.	Product - Customer Drw	sheet 1 of 2				

PrdE File - REV C - 2009-06-09

1

2

3

4

A

B

C

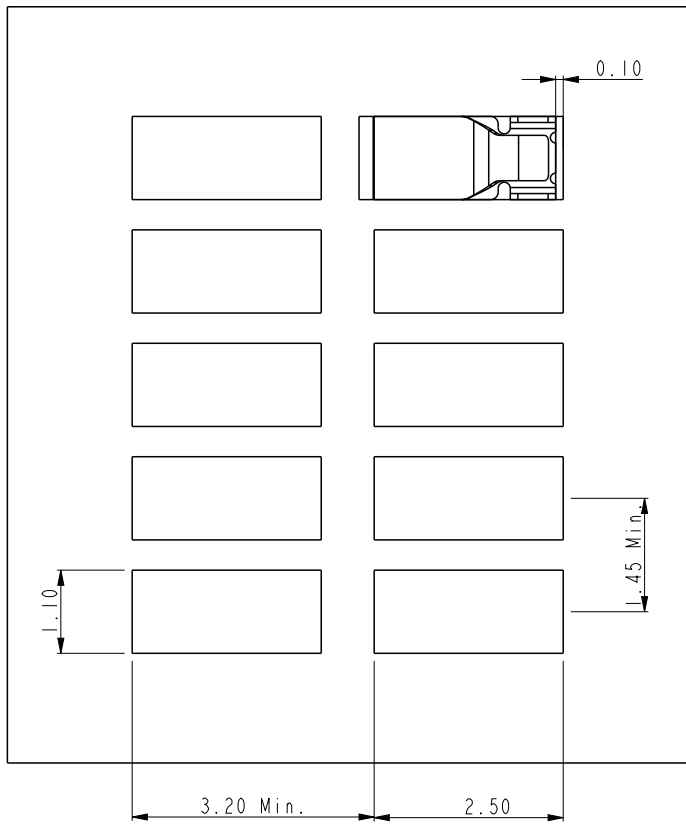
D

A

B

C

D



RECOMMENDED PCB DIMENSION & MIN PITCH
TOLERANCE: +/-0.05MM



Copyright FCI.

spec ref *		dr Andy Lu 2013/04/17		projection 	mm ←→	size A4	scale 10 : 1
tolerance std ASME Y14.5		eng Andy Lu 2013/04/19				ecn no -	
TOLERANCES UNLESS OTHERWISE SPECIFIED		chr Young Ou 2013/04/19				rel level Released	
appr Pei-Ming Zheng 2013/04/19		product family -		dwg no 10123973		rev A	
surface ✓ ASME Y14.5	linear	0.X	±0.3	 www.fci.com	title UNIVERSAL CONTACT SMT SPRING	Product - Customer Drw	
		0.XX	±0.15			sheet 2 of 2	
		0.XXX	±0.050				
	angular	0°	±2°	cat. no.			

Pro/E File - REV C - 2009-06-09

1

2

3

4