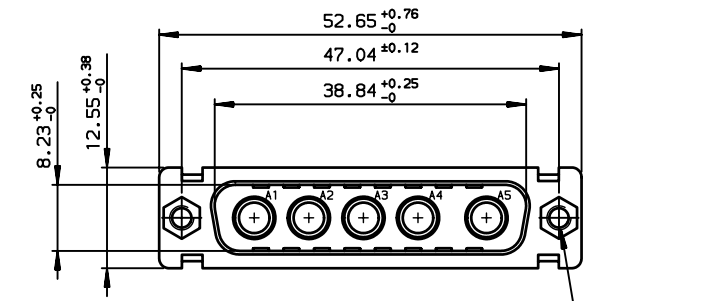


A

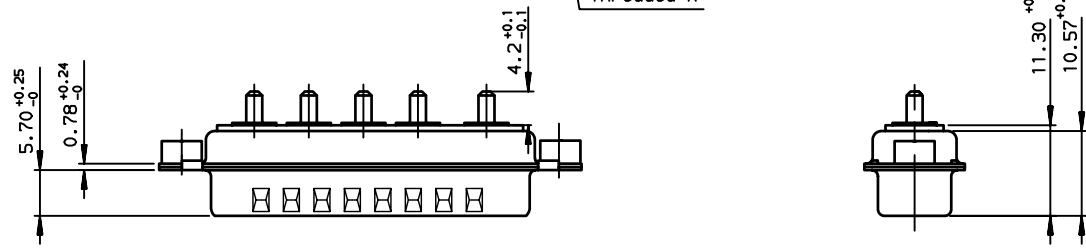
A



Threaded A

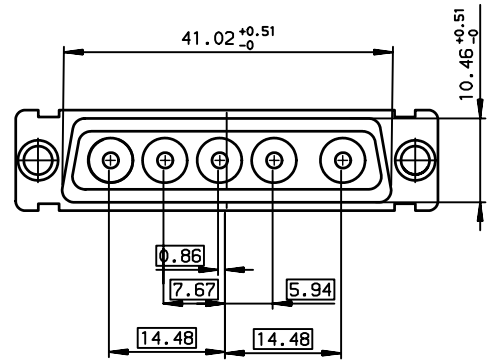
B

B



C

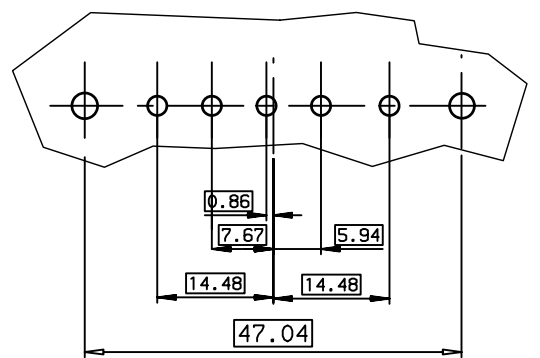
C



LAYOUT DIMENSIONS (after plating)
CONNECTOR SIDE VIEW

D

D



| | |
|-----------------|------------|
| DBL5W5P300A30LF | M3 |
| DB05W5P300A30LF | UNC 4.40 |
| PART NUMBER | Threaded A |

GENERAL CHARACTERISTICS AND ROHS INFORMATIONS:
SEE DRAWING C01-8639-0001

European Views

| | | | | | | |
|---|--------|---------------------------------------|-----------------------------------|-------------------------|------------|---------------|
| www.fciconnect.com | | surface ISO 1302 | tolerance std ISO 406 ISO 1101 | projection mm | size A3 | Scale 1.5 |
| | | TOLERANCES UNLESS OTHERWISE SPECIFIED | | ANGULAR | 0.X ±0.1 | ECN LS06-0095 |
| | | | | LINEAR | 0.XX ±0.1 | Spec ref - |
| | | | | 0.XX' ±2' | 0.XXX ±0.1 | |
| Dr | PESSON | 2005/11/22 | | | | |
| Eng | PESSON | 2005/11/22 | | | | |
| Chr | LEGARE | 2005/11/22 | | | | |
| Appr | LEGARE | 2005/11/22 | | | | |
| Product family | | D-SUB | | Spec ref - | | |
| title MALE CONNECTOR 5W5 WITHOUT ACCESSORIES | | catalog no | | dwg no C01-8639-2293 | | Rev. B |
| | | | | CUSTOMER sheet 1 of 1 | | |

| rev | ecn no | dr | date |
|-----|-----------|-----|------------|
| A | LS05-0106 | MPE | 2005/11/22 |
| B | LS06-0095 | LGO | 2006/06/21 |
| - | - | - | - |
| - | - | - | - |
| - | - | - | - |
| - | - | - | - |



Copyright FCI.