

# 4100 AND 4200 SERIES

## TOGGLE SWITCHES - INSULATED LEVER AND BUSHING

### Distinctive features and specifications

- No external metal parts
- Knee lever (toggle joint) quick-break mechanism
- Butt action contacts
- UL and CSA approved

#### ELECTRICAL SPECIFICATIONS

- Max. current/voltage rating with resistive load : 3A 250VAC - 6A 125VAC - 6A 30VDC
- Initial contact resistance : 10 mΩ max.
- Insulation resistance : 1.000 MΩ min. at 500VDC
- Dielectric strength :
  - 2.000 Vrms 50 Hz min. between terminals and between poles
  - 2.000 Vrms 50 Hz min. between terminals and frame
- Electrical life :
  - 50.000 cycles at 3A 250VAC
  - 10.000 cycles at 6A 125VAC and 30VDC

#### MATERIALS

- Case : phenolic resin
- Actuator : polyamide 6-6
- Bushing : polyamide 6-6
- Contacts : silver inlay

#### GENERAL SPECIFICATIONS

- Torque : 0,95 Nm (.70 Ft.lb) max. applied to nut
- Panel thickness : 5 mm (.196) between 2 nuts
- Operating temperature : -20°C to +55°C

#### AGENCY APPROVALS



**Availability** : consult factory for details of approved models.

**Marking** : To order switches marked UL and/or CSA, consult factory.

#### ABOUT THIS SERIES

**Dimensions** : first dimensions are in mm while inches are shown as bracketted numbers.



**Mounting accessories** : standard hardware supplied with all models : 1 hex nut U166 and 1 insulating knurled nut U520 in the same colour as the actuator. They are presented in section N.



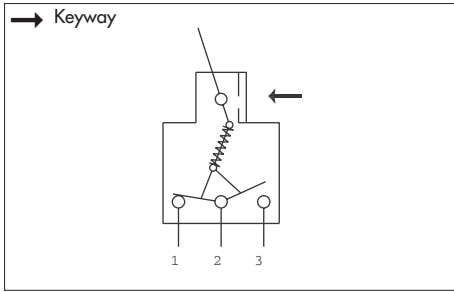
**Packaging unit** : 20 pieces.

# 4100 AND 4200 SERIES

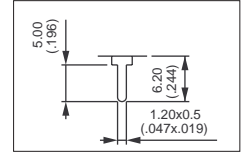
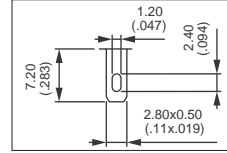
## TOGGLE SWITCHES - INSULATED LEVER AND BUSHING

### Solder lug or straight PC terminals

MODEL  
STRUCTURE



- 2 maintained positions
- Silver inlay contacts standard
- Double pole configurations



MODEL  
STRUCTURE



### Solder lug terminals : 4100



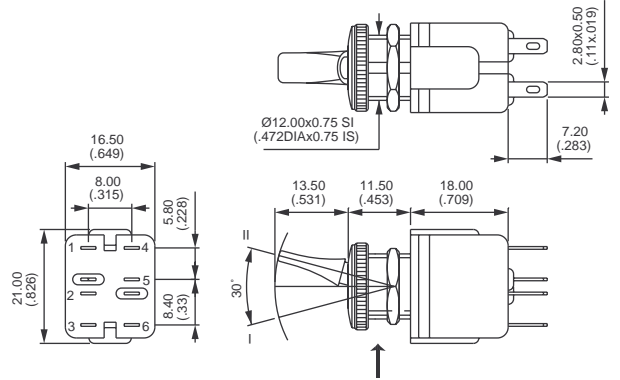
4141A-2

II      I  
ON - OFF

4146A-2

ON - ON

→ Keyway



H

### Straight PC terminals : 4200



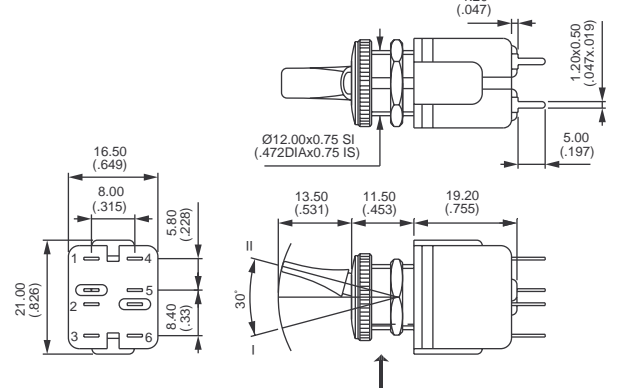
4241A-2

II      I  
ON - OFF

4246A-2

ON - ON

→ Keyway



### ACTUATOR COLOURS

1	Blue	
2	Black	
3	Green	
4	Grey	
5	Yellow	
6	Red	
7/1	White	
9	Orange	

### PANEL CUT-OUT

