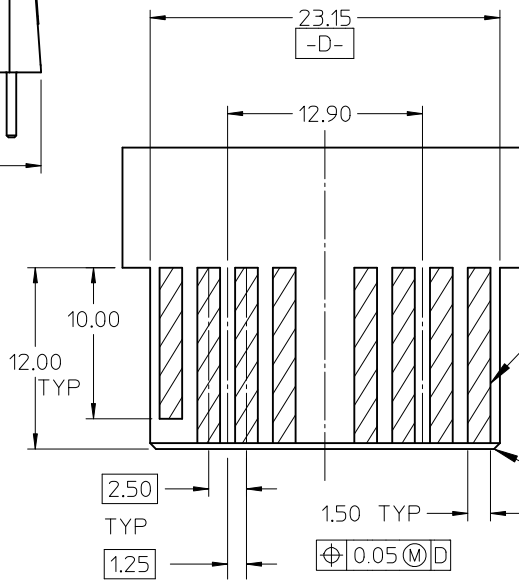
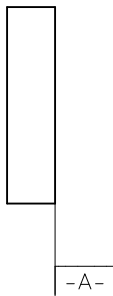
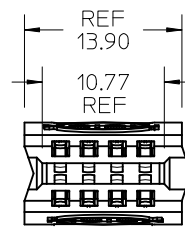


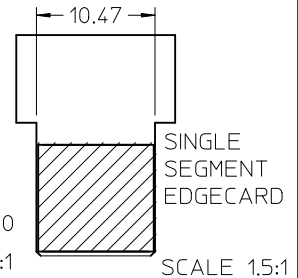
PCB LAYOUT: COMPONENT SIDE
*** = TO BE DETERMINED BY CUSTOMER



RECOMMENDED EDGE CARD LAYOUT
TOLERANCE: ±0.05



SINGLE SEGMENT MODULE
45844-1000
SCALE 1.5:1



SCALE 1.5:1

NOTES:

- HOUSING MATL: LCP, UL94V-0, BLACK
TERMINAL MATL: COPPER ALLOY
- FINISH: SELECT GOLD: 30 M.I. MIN IN CONTACT AREA
SELECT TIN: 150 M.I. MIN IN SOLDER AREA
BOTH OVER NICKEL: 50 M.I. MIN
- PRODUCT SPECIFICATION: PS-45719-001.
- PACKAGING SPECIFICATION: ES-45714-001.
- PCB THICKNESS: SEE CHART
- EDGE CARD THICKNESS: 1.57±0.15
- DIMENSIONS GIVEN ACROSS CENTERLINES ARE SYMMETRICAL ABOUT THOSE CENTERLINES WITHIN HALF THE TOTAL TOLERANCE.
- 0.50 X 45° CHAMFER ON LEADING EDGE, TYP 4 SIDES.
- PCB HOLE SPECIFICATION: SEE PS-45719-001.

TOOLING STATUS	MATERIAL NUMBER	SEG'S	DIM P	PCB THK
NOT TOOLED	45844-1000	1	4.33	3.18/2.36
NOT TOOLED	45844-1001	1	3.19	1.57
TOOLED	45844-0001	2	4.33	3.18/2.36
TOOLED	45844-0004	2	3.19	1.57

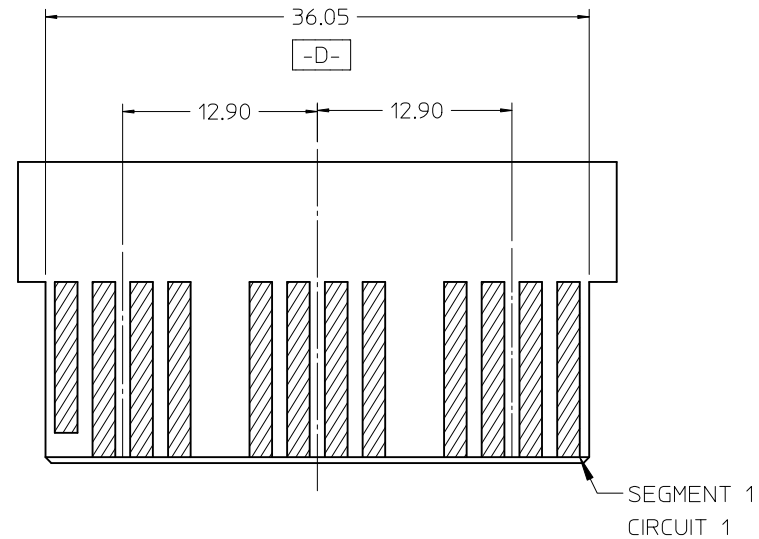
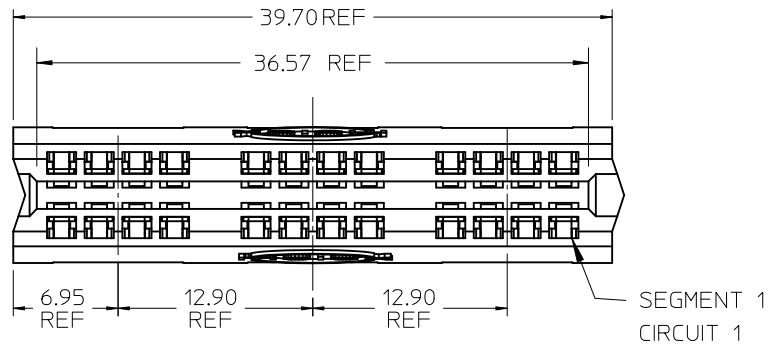
REV	DESCRIPTION
1	ADD 1, 5, 6 BAY PARTS
2	EC NO: UCP2012-2806
3	DRWN: JSCHAFFER 2008/06/12
4	CHKD: JSCHAFFER 2008/06/12
5	APPR: APATEL 2012/06/01

GENERAL TOLERANCES (UNLESS SPECIFIED)		DIMENSION STYLE	
	mm	mm ONLY	
4 PLACES	± ---	± ---	DRAWN BY DATE
3 PLACES	± ---	± ---	MARGUL IS 2004/07/29
2 PLACES	± 0.25	± ---	CHECKED BY DATE
1 PLACE	± ---	± ---	MARGUL IS 2004/07/29
ANGULAR ±1/2°		APPROVED BY DATE	
DRAFT WHERE APPLICABLE MUST REMAIN WITHIN DIMENSIONS		MARGUL IS 2004/07/29	

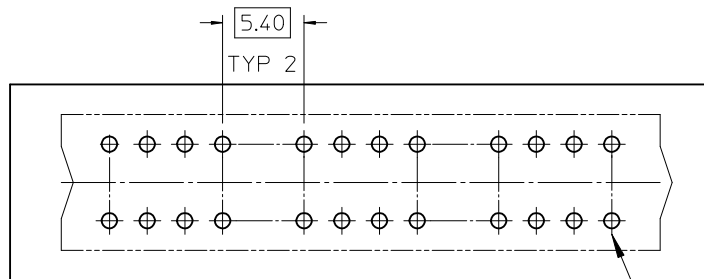
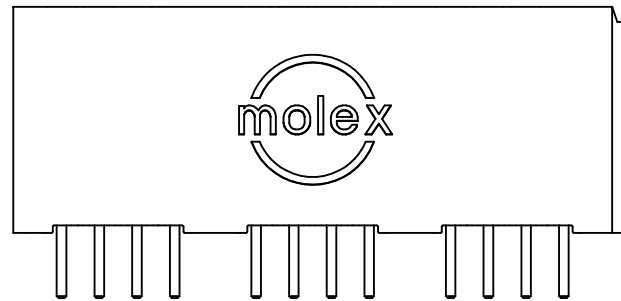
SCALE	DESIGN UNITS	THIRD ANGLE PROJECTION
2:1	METRIC	THIRD ANGLE PROJECTION
DRAWN BY DATE		
MARGUL IS 2004/07/29		
CHECKED BY DATE		
MARGUL IS 2004/07/29		
APPROVED BY DATE		
MARGUL IS 2004/07/29		
SEE CHART		
SIZE A	THIS DRAWING CONTAINS INFORMATION THAT IS PROPRIETARY TO MOLEX INCORPORATED AND SHOULD NOT BE USED WITHOUT WRITTEN PERMISSION	

TITLE	DOCUMENT NO.	SHEET NO.
POWER EDGE ASSEMBLY SIGNAL VERTICAL SOLDER TAIL	SD-45844-001	1 OF 5
MOLEX INCORPORATED		

SEE SHEET ONE FOR NOTES AND DIMENSIONS NOT SHOWN

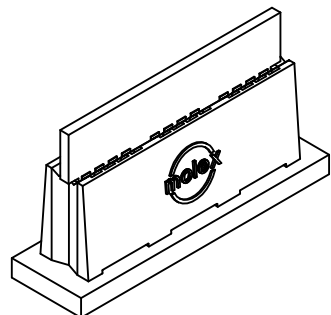


RECOMMENDED EDGE CARD LAYOUT:
TOLERANCE: ±0.05



PBC LAYOUT: COMPONENT SIDE

TOOLING STATUS	MATERIAL NUMBER	SEG's	DIM P	PCB THK
TOOLED	45844-0002	3	4.33	3.18/2.36
TOOLED	45844-0005	3	3.19	1.57

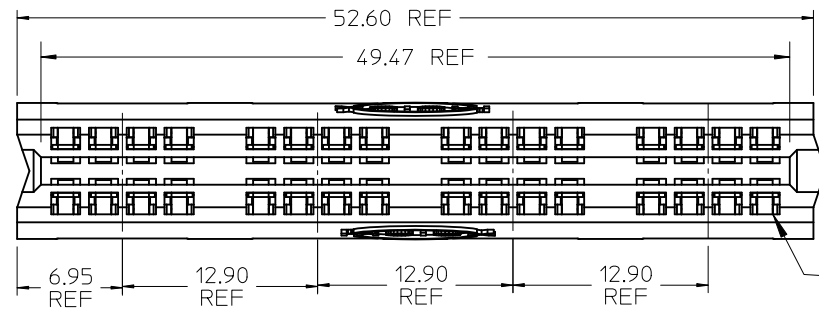


EC NO: UCP2012-2806	DRWN: JSCHAFFER 2008/06/12	CHKD: JSCHAFFER 2008/06/12	APPR: APATEL 2012/06/01	DESCRIPTION
REV				

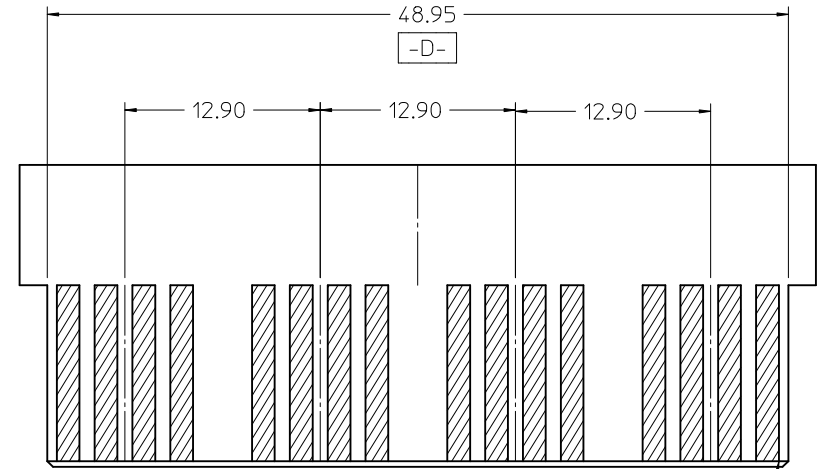
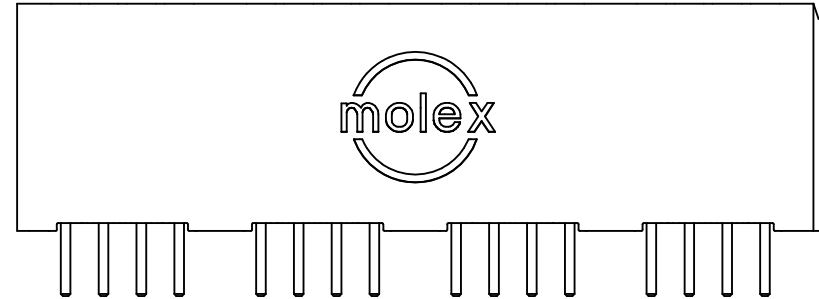
GENERAL TOLERANCES (UNLESS SPECIFIED)		
	mm	INCH
4 PLACES	± ---	± ---
3 PLACES	± ---	± ---
2 PLACES	± 0.25	± ---
1 PLACE	± ---	± ---
ANGULAR ±1/2°		
DRAFT WHERE APPLICABLE MUST REMAIN WITHIN DIMENSIONS		

DIMENSION STYLE	
MM ONLY	
DRAWN BY	DATE
MARGULIS	2004/07/29
CHECKED BY	DATE
MARGULIS	2004/07/29
APPROVED BY	DATE
MARGULIS	2004/07/29
MATERIAL NUMBER SEE CHART	
SIZE	A

SCALE	DESIGN UNITS	THIRD ANGLE PROJECTION
2:1	METRIC	
TITLE		
POWER EDGE ASSEMBLY SIGNAL VERTICAL SOLDER TAIL		
molex MOLEX INCORPORATED		
DOCUMENT NO.	SHEET NO.	
SD-45844-001	2 OF 5	
THIS DRAWING CONTAINS INFORMATION THAT IS PROPRIETARY TO MOLEX INCORPORATED AND SHOULD NOT BE USED WITHOUT WRITTEN PERMISSION		



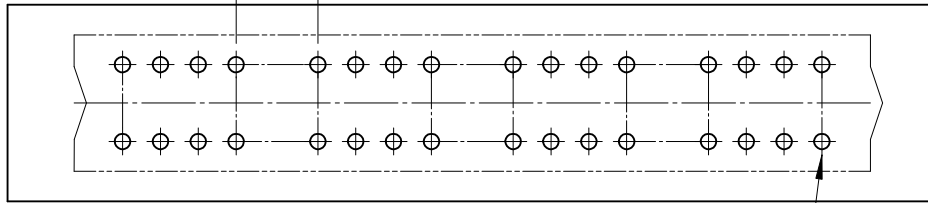
SEGMENT 1
CIRCUIT 1



SEGMENT 1
CIRCUIT 1

RECOMMENDED EDGE CARD LAYOUT
TOLERANCE: ±0.05

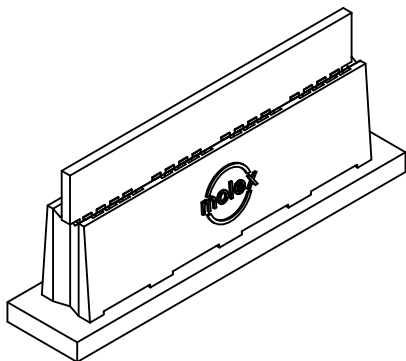
5.40
TYP 3



PCB LAYOUT: COMPONENT SIDE

SEGMENT 1
CIRCUIT 1

TOOLING STATUS	MATERIAL NUMBER	SEG's	DIM P	PCB THK
TOOLED	45844-0003	4	4.33	3.18/2.36
TOOLED	45844-0006	4	3.19	1.57



EC NO: UCP2012-2806	2008/06/12	DESCRIPTION
DRWN: JSCHAFFER	2008/06/12	
CHKD: JSCHAFFER	2008/06/12	
APPR: APATEL	2012/06/01	
REV		

GENERAL TOLERANCES (UNLESS SPECIFIED)

	mm	INCH
4 PLACES	± ---	± ---
3 PLACES	± ---	± ---
2 PLACES	± 0.25	± ---
1 PLACE	± ---	± ---

ANGULAR ±1/2°

DRAFT WHERE APPLICABLE
MUST REMAIN
WITHIN DIMENSIONS

DIMENSION STYLE
MM ONLY

DRAWN BY	DATE
MARGULIS	2004/07/29
CHECKED BY	DATE
MARGULIS	2004/07/29
APPROVED BY	DATE
MARGULIS	2004/07/29

MATERIAL NUMBER
SEE CHART

SCALE
2:1

DESIGN UNITS
METRIC

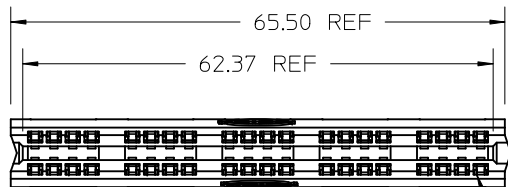
THIRD ANGLE
PROJECTION

TITLE
POWER EDGE ASSEMBLY
SIGNAL VERTICAL
SOLDER TAIL

MOLEX INCORPORATED

DOCUMENT NO. SD-45844-001 SHEET NO. 3 OF 5

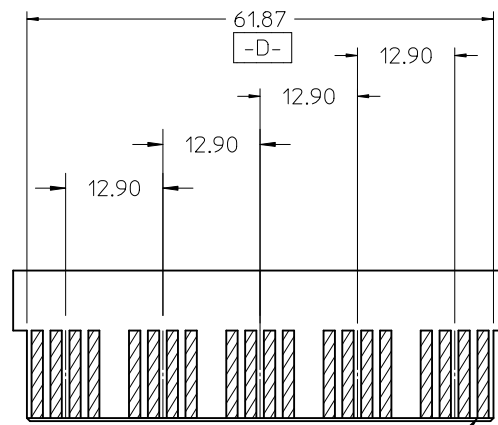
THIS DRAWING CONTAINS INFORMATION THAT IS PROPRIETARY TO MOLEX INCORPORATED AND SHOULD NOT BE USED WITHOUT WRITTEN PERMISSION



SEGMENT 1
CIRCUIT 1

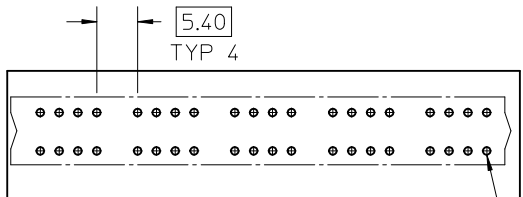


SEE SHEET ONE FOR NOTES & DIMENSIONS NOT SHOWN.



SEGMENT 1
CIRCUIT 1

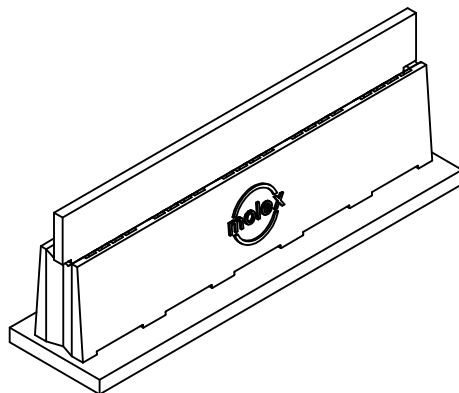
RECOMMENDED EDGE CARD LAYOUT
TOLERANCE:±0.05



PCB LAYOUT: COMPONENT SIDE

SEGMENT 1
CIRCUIT 1

TOOLING STATUS	MATERIAL NUMBER	SEG's	DIM P	PCB THK
NOT TOOLED	45844-0007	5	4.33	3.18/2.36
NOT TOOLED	45844-0009	5	3.19	1.57



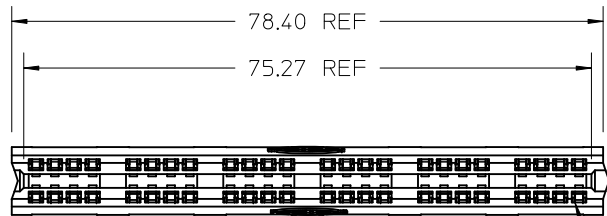
EC NO: UCP2012-2806	DRWN: JSCHAFFER 2008/06/12	CHKD: JSCHAFFER 2008/06/12	APPR: APATEL 2012/06/01
REV	DESCRIPTION		

QUALITY SYMBOLS	▽=0
	∇=0

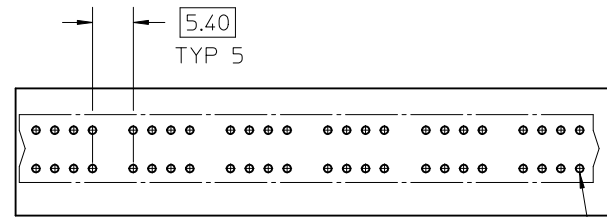
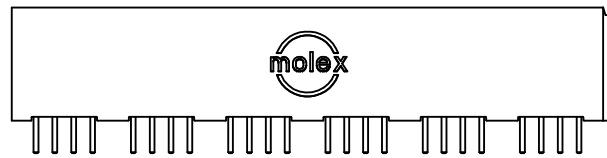
GENERAL TOLERANCES (UNLESS SPECIFIED)		
	mm	INCH
4 PLACES	± ---	± ---
3 PLACES	± ---	± ---
2 PLACES	± 0.25	± ---
1 PLACE	± ---	± ---
ANGULAR ±1/2°		
DRAFT WHERE APPLICABLE MUST REMAIN WITHIN DIMENSIONS		

DIMENSION STYLE	
MM ONLY	
DRAWN BY	DATE
MARGUL IS	2004/07/29
CHECKED BY	DATE
MARGUL IS	2004/07/29
APPROVED BY	DATE
MARGUL IS	2004/07/29
MATERIAL NO.	
SEE CHARTS	
SIZE	A

SCALE	DESIGN UNITS	THIRD ANGLE PROJECTION	
1:1	METRIC		
TITLE			
POWER EDGE ASSEMBLY SIGNAL VERTICAL SOLDER TAIL			
MOLEX INCORPORATED			
DOCUMENT NO.			SHEET NO.
SD-45844-001			4 OF 5
THIS DRAWING CONTAINS INFORMATION THAT IS PROPRIETARY TO MOLEX INCORPORATED AND SHOULD NOT BE USED WITHOUT WRITTEN PERMISSION			

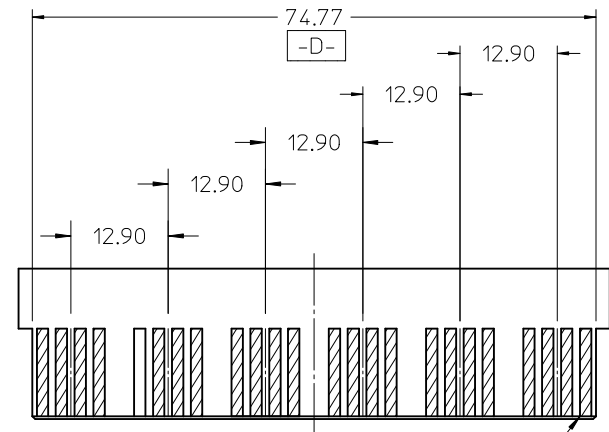
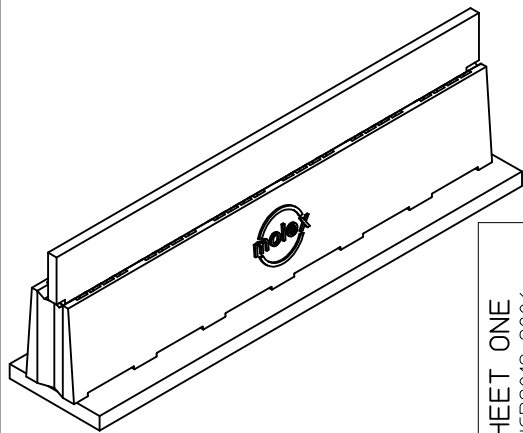


SEGMENT 1
CIRCUIT 1



PCB LAYOUT: COMPONENT SIDE

SEGMENT 1
CIRCUIT 1



SEGMENT 1
CIRCUIT 1

RECOMMENDED EDGE CARD LAYOUT
TOLERANCE: ±0.05

TOOLING STATUS	MATERIAL NUMBER	SEG's	DIM P	PCB THK
NOT TOOLED	45844-0008	6	4.33	3.18/2.36
NOT TOOLED	45844-0010	6	3.19	1.57

SEE SHEET ONE	DESCRIPTION
EC NO: UCP2012-2806	
DRWN: JSCHAFFER 2008/06/12	
CHKD: JSCHAFFER 2008/06/12	
APPR: APATEL 2012/06/01	
REV	

GENERAL TOLERANCES (UNLESS SPECIFIED)	
	mm INCH
4 PLACES	± --- ± ---
3 PLACES	± --- ± ---
2 PLACES	± 0.25 ± ---
1 PLACE	± --- ± ---
ANGULAR ± 1/2°	
DRAFT WHERE APPLICABLE MUST REMAIN WITHIN DIMENSIONS	

DIMENSION STYLE	
MM ONLY	
DRAWN BY	DATE
MARGULIS	2004/07/29
CHECKED BY	DATE
MARGULIS	2004/07/29
APPROVED BY	DATE
MARGULIS	2004/07/29
MATERIAL NO.	
SEE CHART	
SIZE	
A	

SCALE	DESIGN UNITS	THIRD ANGLE PROJECTION	
1:1	METRIC		
TITLE			
POWER EDGE ASSEMBLY SIGNAL VERTICAL SOLDER TAIL			
MOLEX INCORPORATED			
DOCUMENT NO.			SHEET NO.
SD-45844-001			5 OF 5
THIS DRAWING CONTAINS INFORMATION THAT IS PROPRIETARY TO MOLEX INCORPORATED AND SHOULD NOT BE USED WITHOUT WRITTEN PERMISSION			