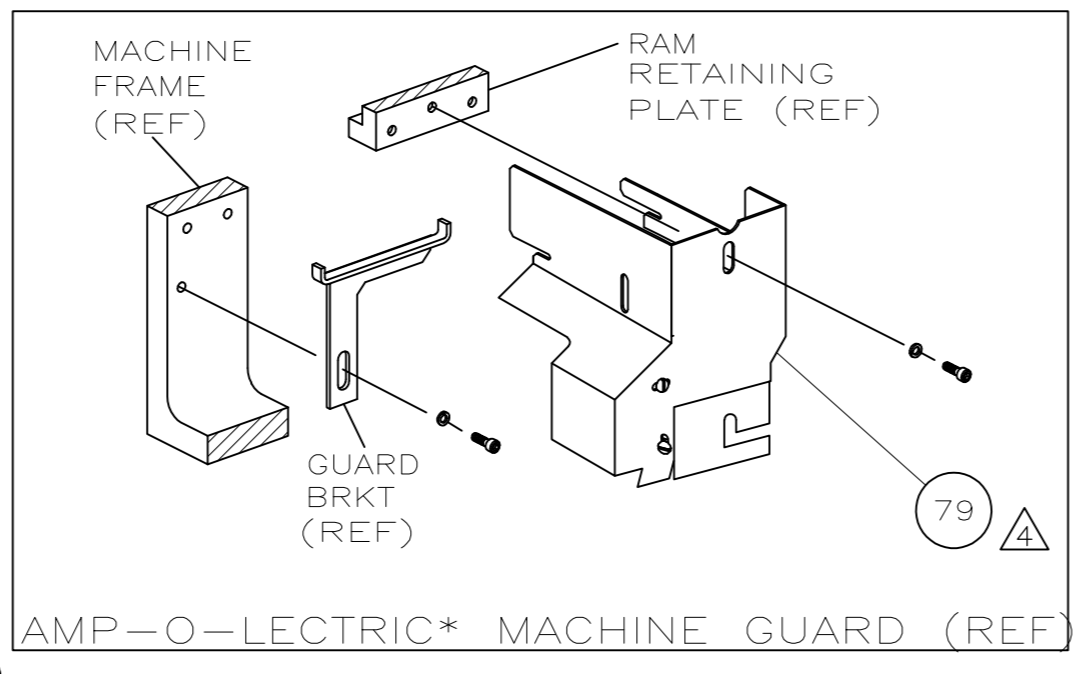


- NOTES:
- ▲ RECOMMENDED SPARE PARTS.
  - ▲ GREASE LIGHTLY.
  - ▲ LUBRICATE DAILY USING NO. 20 MACHINE OIL.
  - ▲ GUARD MUST BE IN PLACE WHEN OPERATING APPLICATOR IN AMP-O-ELECTRIC MACHINE.
  - 5. ITEMS WITH QTY OF REF SPECIFIED (EXCEPT ITEM 79) ARE USED ON ITEM 46.
  - ▲ GUIDE OFF OF STABILIZER BARREL.



TERMINAL NAME: LOCKING CLIP CONTACT FOR .064 SQ POST

87190		CRIMPING DATA			
87944		PAD LTR	CRIMP HEIGHT	WIRE SIZE	
A			.040 ± .002	28 OR 30	
B			NOT	USED	
C			NOT	USED	
D			NOT	USED	
CRIMP	SIZE	TYPE	RANGE		
WIRE	.042	F	28-30		
INSUL	.055	0	.024-.039		
MACHINE No.	565435-5	WIRE STRIP LENGTH	TERM APPL SPEC	FEED	APPL INSTRUCTION
			114-25006	.330	408-8040
				SET UP GAGE	LAYOUT
				458637-1	640

REF	QTY	PART NO	DESCRIPTION	ITEM NO
				129
				128
				127
				126
				125
REF	21045-3		RING,RET "C"(.187φ)FEED FINGER PIN	124
				123
REF	5-21028-1		PIN,SLT SPR(.125φx.50)ADJ ROD	122
1	4-21028-0		PIN,SLT SPR(.093φx.75)ST GUIDE PL	121
REF	1-21030-1		PIN,DOWEL(.187φx.50)LEVER	120
REF	1-21030-6		PIN,DOWEL(.187φx1.25)HOUSING	119
				118
2	21024-5		WASHER,LOCK(NO.10)ADJ BLOCK	117
REF	21024-5		WASHER,LOCK(NO.10)ADJ PLATE	116
REF	21024-5		WASHER,LOCK(NO.10)FEED GUIDE ROD	115
2	21024-2		WASHER,LOCK(NO.4)FRONT STRIP GUIDE	114
				113
				112
4	21024-4		WASHER,LOCK(NO.8)STRIPPER	111
REF	21899-4		WASHER,FLAT(5/16 DIA)SCREW ADJ	110
1	21899-2		WASHER,FLAT((NO.10)LUB ASSY	109
1	21018-5		NUT,HEX(NO.6)HOLDDOWN	108
REF	21018-5		NUT,HEX(6-32)FEED ADJ	107
				106
				105
				104
1	21009-2		SCR,SKT SET(1/4-20x.25LOC-WEL)RAM	103
2	21017-2		SCR,DRIVE(#2x.19)ID PLATE	102
REF	6-23715-5		SCR,PAN HD(6-32x1.50)FEED ADJ	101
1	461264-1		PLATE, IDENTIFICATION	100
2	5-21006-6		SCR,SET(10-32X.75)DRAG	99
1	22733-8		SCR,BHC(8-32x.38LOC-WEL)ANVIL	98
REF	2-21002-9		SCR,BHC(10-32x.75)CAP	97
REF	2-22733-8		SCR,BHC(1/4-20x.62)HOUSING	96
REF	2-21002-7		SCR,BHC(10-32x.50)SG ADJ BLOCK	95
6	2-21002-2		SCR,BHC(8-32x.50)SHEAR	94
				93
1	1424350-1		HOLDER, PIN, WIRED	92
1	1-21002-7		SCR,BHC(6-32x.38)CAM	91
				90
1	1490524-1		SPACER, DEPRESSOR	89
1	461679-3		CRIMPER STABILIZER	88
1	1424350-1		HOLDER, PIN, WIRED	87
1	2-22603-0		SCR,HEX HEAD(8-32x.31)FEED FINGER	86
2	1-21000-3		SCR,SKT CAP(4-40x.25)F STRIP GUIDE	85
1	2-21000-7		SCR,SKT CAP(8-32x.50)STRIPPER	84
REF	3-21000-7		SCR,SKT CAP(10-32x.75)FEED ROD GD	83
REF	3-21000-6		SCR,SKT CAP(10-32x.62)FEED ADJ BLK	82
2	3-21000-4		SCR,SKT CAP(10-32x.38)SG ADJ BL	81
REF	3-21000-4		SCR,SKT CAP(10-32x.38)PIVOT BLOCK	80
REF	462992-3		GUARD ASSY	79
1	1-465184-0		LUBRICATOR ASSY	78
REF	852931-2		OIL, LUBRICATING	77
1	1490525-3		WIRE DEPRESSOR	76
2	1-23147-4		SPRING, COMPRESSION	75
2	690603-1		SPRING, ASSIST	74
2	23030-1		SCR,SKT CAP(6-32x.25)CP DISC	73
REF	458109-1		WASHER, SPECIAL	72
REF	690517-1		SPACER	71
QTY	PART NO	DESCRIPTION	ITEM NO	

LOC	DIST	REVISIONS			
A	66	REV	DESCRIPTION	DATE	BY
F	ECR-07-015383			6-2007	MY

REF	QTY	PART NO	DESCRIPTION	ITEM NO
REF		22594-8	NUT, HEX	70
REF		240628-1	PLATE, ADJUSTMENT	69
REF		240626-1	SHAFT, PIVOT	68
REF		240633-1	BUSHING	67
REF		455680-1	LEVER, INTERMEDIATE	66
REF		240629-1	BLOCK, PIVOT	65
REF		240632-2	SCREW, ADJUSTMENT FEED ROD	64
REF		240659-3	PIN, CAM ROLLER	63
REF		240658-1	ROLLER, CAM	62
REF		454398-2	ROD, FEED	61
REF		454178-1	GUIDE, FEED ROD	60
REF		454220-1	CAP, HOUSING	59
REF		454485-1	HOUSING	58
				57
1		458537-2	PAWL, FEED	56
REF		240624-1	PIN, FEED FINGER	55
REF		691499-1	SPRING, FEED FINGER	54
REF		690541-1	FINGER, FEED	53
REF		455679-1	LEVER, TERMINAL FEED ARM	52
1		811242-2	BUMPER, HOLDDOWN	51
1		690753-1	SPACER, TONKER	50
1		7-21002-9	BOLT, CRIMPER(5/16-24x1.00)	49
1		690602-5	CAM, PRE-FEED 1 1/8 STROKE	48
				47
1		459456-1	APPLICATOR, BASIC (SUBASSY)	46
1		690191-1	PLUG, NYLON	45
1		455673-1	RAM	44
1		690125-1	WASHER, LAMINATED	43
1		690124-1	WASHER, RAM	42
				41
				40
2		23241-6	BALL, STEEL	39
2		690170-1	SPRING, COMPRESSION	38
1		690142-1	DISC, INSULATION	37
1		4-690141-9	DISC, WIRE	36
1		22480-5	WASHER, SPRING	35
1		690212-1	POST, RAM	34
1		460712-2	SUPPORT, TERMINAL	33
REF		455675-1	PLATE, BASE	32
1		690432-3	SCREW, ADJUSTMENT	31
				30
REF		455689-1	BLOCK, STRIP GUIDE ADJ	29
1		455671-3	PLATE, STRIP GUIDE	28
1		455888-9	SPACER, FRONT SHEAR DEP	27
2		1-22284-0	SPRING, DRAG	26
1		690546-1	LEVER, DRAG RELEASE	25
1		240792-1	DRAG, STOCK	24
1		690504-1	GUIDE, STRIP (REAR)	23
1		690438-1	GUIDE, STRIP (FRONT)	22
				21
REF		4-22284-9	SPRING, FEED RETURN	20
				19
1		691353-1	STRIPPER	18
				17
1		691667-1	GUARD, CHIP (FRONT)	16
				15
				14
				13
1		3-22280-3	SPRING, SHEAR	12
1		690461-1	STOP, SHEAR	11
1		690459-1	HOLDER, SHEAR (FRONT)	10
1		817723-1	SHEAR, FLOAT (FRONT)	9
1		9-690471-9	ANVIL	8
				7
				6
1		455889-9	DEPRESSOR, SHEAR (FRONT)	5
1		1-238011-3	SPACER, TUBULAR	4
1		3-683454-5	CRIMPER, INSULATION	3
				2
1		456401-1	CRIMPER, WIRE	1
QTY	PART NO	DESCRIPTION	ITEM NO	

THIS DRAWING IS A CONTROLLED DOCUMENT. DWN: M. YOUNGER 11/21/88  
CHK: C. ERISMAN  
APP'D: B. WOLFF 2-24-89  
NAME: MINIATURE QUICK CHANGE APPLICATOR SIDE FEED (LOCKING CLIP CONTACT)  
PRODUCT SPEC: -  
APPLICATION SPEC: -  
SIZE: A1 CAGE CODE: 00779 DRAWING NO: 567310-2  
RESTRICTED TO: -  
MATERIAL: - FINISH: - WEIGHT: -  
CUSTOMER DRAWING: - SCALE: - SHEET: 1 OF 1 REV: F