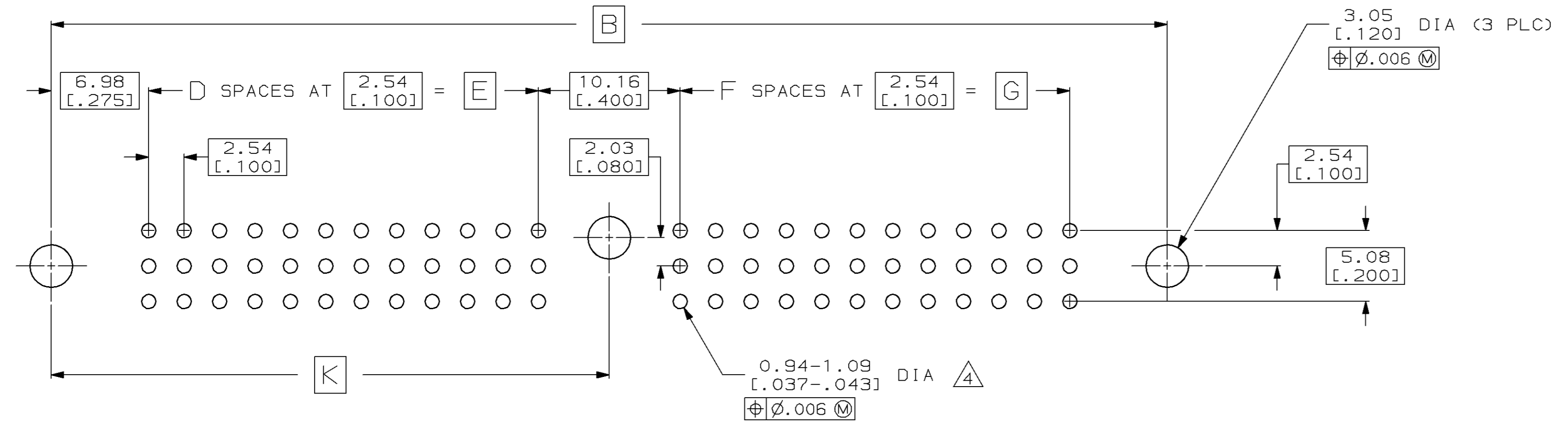
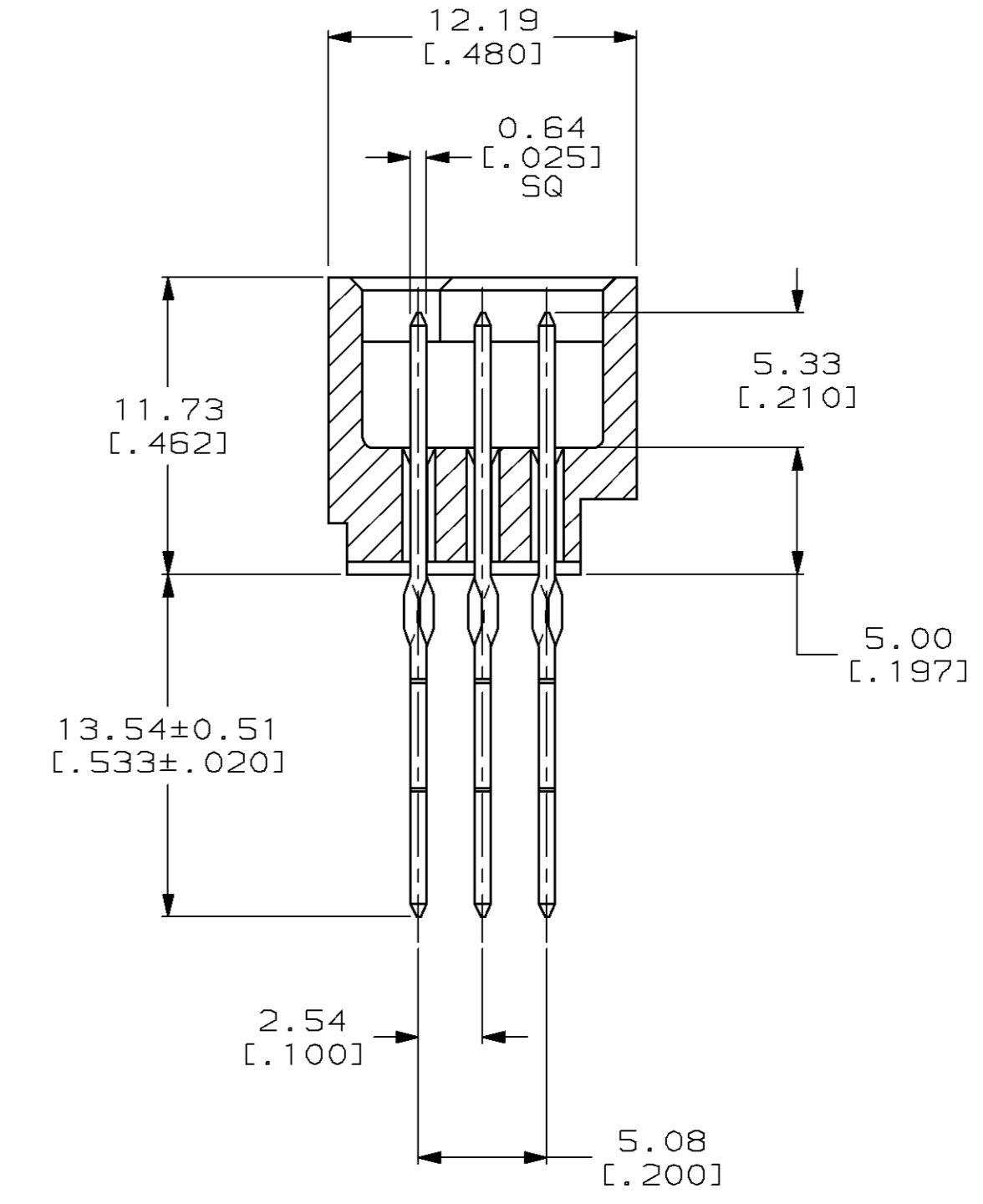
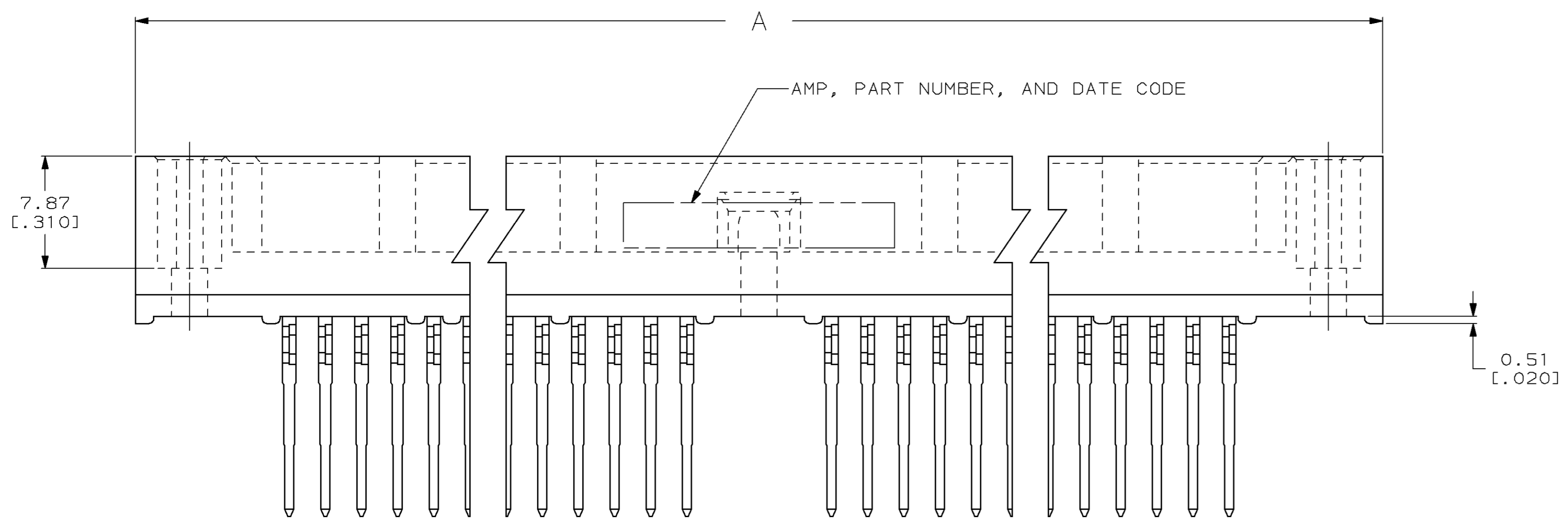
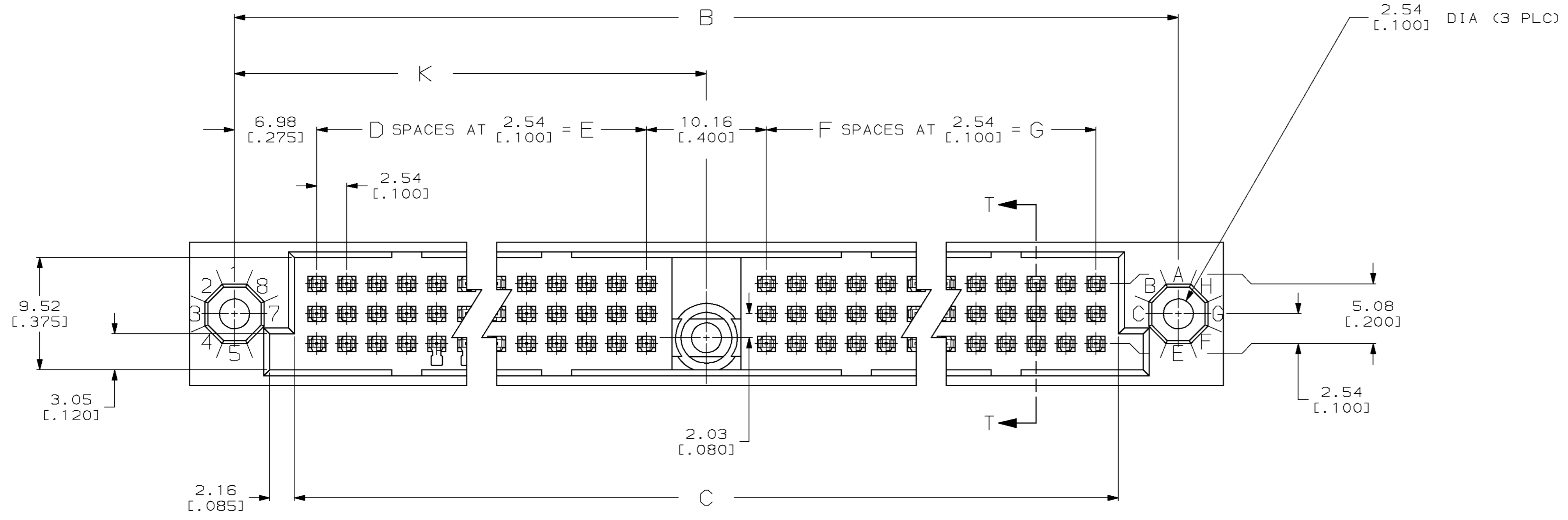
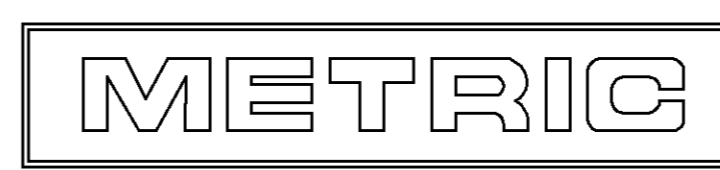


| LOC | | DIST | | REVISONS | | DATE | APPD |
|-----|----|------|---|----------|-----|--------------------------|-----------------|
| AD | 25 | P | F | ZONE | LTR | DESCRIPTION | |
| | | | | | F | ECN AD4218 | 04/11/90 RKS |
| | | | | | G | ECN.0010-1068-93 CJ | 9-30-93 GES |
| | | | | | H | REV PER EC 0010-1334-93 | 11-22-93 GES |
| | | | | | J | PER EC 0328-96 | T.S. 5-20-96 JR |
| | | | | | K | REVISED PER 0620-0203-98 | 24JUN98 J.D.W. |



RECOMMENDED P.C. BOARD LAYOUT



| | | | | | | | |
|--|--------------|--|--------------------|--|-----------------|---------|--|
| DO NOT SCALE PRINT. UNLESS SPECIFIED DIMENSIONS IN mm [INCHES] TOLERANCES ON: 2 PLC DEC ± - 3 PLC DEC ± 0.13 [.005] ANGLES ± - | | DR 04/11/90 R.K. SEIFRIED CHK 04/11/90 G. SKIPPER APPD 04/11/90 G. SKIPPER APPD 04/11/90 G. SKIPPER PRODUCT SPEC - APPLICATION SPEC - WEIGHT - | | <p style="text-align: center;">AMP AMP Incorporated Harrisburg, PA 17105-3608</p> NAME HDI, 3 ROW, PIN ASSEMBLY, ONE CENTER GUIDE PIN, 13.54 [.533] LONG ACTION PINS, ALL GOLD PLATED POSTS | | PART NO | |
| FINISH 3 | SCALE 4:1 | SIZE D | CAGE CODE 00779 | DRAWING NO 533434 | SHEET 1 OF 2 | | |

| LOC | | DIST | | P | | F | | ZONE | | LTR | | REVISIONS | | | |
|-----|----|------|--|---|--|---|--|------|--|-----|--|-------------|-------------|------|---|
| AD | 25 | | | | | | | | | | | DESCRIPTION | DATE | APPD | |
| | | | | | | | | | | | | K | SEE SHEET 1 | - | - |

- ① HOUSING MATERIAL: THERMOPLASTIC, COLOR-NATURAL.
- ② CONTACT MATERIAL: PHOSPHOR BRONZE.
- ③ CONTACT FINISH: .00127-.00254 [.000050-.000100] NICKEL UNDERPLATE ALL OVER; .00076 [.000030] GOLD PLATE IN CONTACT AREA AND FOR 5.08 [.200] FROM TIP OF WIRE-WRAP POST; GOLD FLASH ON REMAINDER OF POST.
- ④ ACTION PIN POSTS REQUIRE 2.36 [.093] MIN THICK P.C. BOARD. RECOMMENDED P.C. BOARD HOLES ARE 1.151 [.0453] DIA PLATED THRU WITH 0.025-0.076 [.001-.003] COPPER, WITH 0.0076 [.0003] MIN TIN-LEAD PLATING; FINISHED HOLE AFTER PLATING 0.94-1.09 [.037-.043] DIA; AFTER RELOW 0.91-1.09 [.036-.043].
- 5. DIMENSIONS IN BRACKETS ARE IN INCHES.
- ⑥ PART NUMBER IS OBSOLETE.

| | | | | | | | | | | |
|---|-------------------|-------------------|----|-------------------|----|--------------------|--------------------|--------------------|------|-------------|
| ⑥ | 164.46 [6.475] | 152.40 [6.000] | 60 | 152.40 [6.000] | 60 | 318.77 [12.550] | 328.93 [12.950] | 336.55 [13.250] | 366 | 533434-8 |
| | | | | | | | | | | 533434-7 |
| | 149.22 [5.875] | 137.16 [5.400] | 54 | 137.16 [5.400] | 54 | 288.29 [11.350] | 298.45 [11.750] | 306.07 [12.050] | 330 | 533434-6 |
| | 141.60 [5.575] | 129.54 [5.100] | 51 | 129.54 [5.100] | 51 | 273.05 [10.750] | 283.21 [11.150] | 290.83 [11.450] | 312 | 533434-5 |
| | 133.98 [5.275] | 121.92 [4.800] | 48 | 121.92 [4.800] | 48 | 257.81 [10.150] | 267.97 [10.550] | 275.59 [10.850] | 294 | 533434-4 |
| | 126.36 [4.975] | 114.30 [4.500] | 45 | 114.30 [4.500] | 45 | 242.57 [9.550] | 252.73 [9.950] | 260.35 [10.250] | 276 | 533434-3 |
| ⑥ | | | | | | | | | | 533434-2 |
| | 111.12 [4.375] | 99.06 [3.900] | 39 | 99.06 [3.900] | 39 | 212.09 [8.350] | 222.25 [8.750] | 229.87 [9.050] | 240 | 533434-1 |
| | K | G | F | E | D | C | B | A | POSN | PART NUMBER |

| | | | | | |
|---|--|------------------------------|--|---|--|
| DO NOT SCALE PRINT. UNLESS SPECIFIED DIMENSIONS IN mm [INCHES] TOLERANCES ON: | | DR 04/11/90 R.K. SEIFRIED | | AMP AMP Incorporated Harrisburg, PA 17105-3608 | |
| 2 PLC DEC ± - | | CHK 04/11/90 G. SKIPPER | | | |
| 3 PLC DEC ± 0.13 [.005] | | APPD 04/11/90 G. SKIPPER | | NAME HDI, 3 ROW, PIN ASSEMBLY, ONE CENTER GUIDE PIN, 13.54 [.533] LONG ACTION PINS, ALL GOLD PLATED POSTS | |
| ANGLES ± - | | APPD 04/11/90 G. SKIPPER | | | |
| MATERIAL | | PRODUCT SPEC | | SIZE | |
| ① ② | | - | | D 00779 | |
| FINISH | | APPLICATION SPEC | | CAGE CODE | |
| ③ | | - | | 00779 | |
| WEIGHT | | - | | DRAWING NO | |
| - | | - | | 533434 | |
| | | SCALE | | SHEET | |
| | | 4:1 | | 2 OF 2 | |

