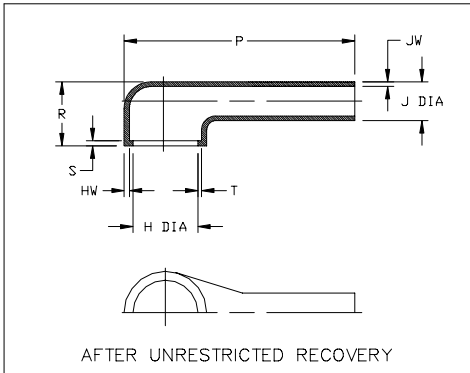
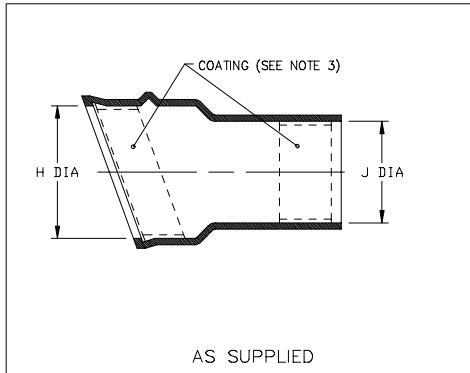


Thermofit<sup>®</sup> Molded Parts  
 Specification Control Drawing  
 Limited Distribution

Part Number : 222F242-XX-02  
 Description : Boot, 90°, With Lip

NOTES

- All dimensions are in  $\frac{\text{inches}}{\text{[millimeters]}}$
- Dimensions appearing in table are as follows:  
 a - As Supplied  
 b - After Unrestricted Recovery
- Coating is optional. As supplied dimensions appearing in table are for uncoated parts. When coating is added, entry diameters will be reduced by .06 max.
- "S" & "T" dimensions apply to a minimum of 240° of the circumference.



PART NUMBER	H		J		P ±10%	R ±10%	HW +.06 -.03	JW ±.03	S +.06 -.03	T ±.03
	Min a	Max b	Min a	Max b						
222F242-XX-02	1.40 [35,6]	.87 [22,1]	1.13 [28,7]	.40 [10,2]	3.10 [78,7]	.86 [21,8]	.07 [1,78]	.06 [1,52]	.07 [1,78]	.05 [1,3]



RAYCHEM CORPORATION  
 300 CONSTITUTION DRIVE  
 MENLO PARK, CALIFORNIA 94025

Revision : A  
 Date : 4/16/97

Part Number : 222F242-XX-02  
 Description : Boot, 90°, With Lip

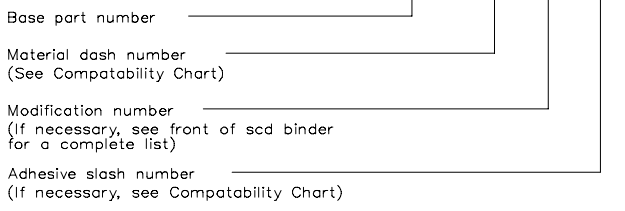
Thermofit<sup>®</sup> Molded Parts  
 Specification Control Drawing  
 Limited Distribution

Part Number : 222F242-XX-02  
 Description : Boot, 90°, With Lip

MATERIAL DASH NO.	MATERIAL DESCRIPTION	RT SPEC	COATING SLASH NO.	COATING S NO.	COATING DESCRIPTION
-51	Flexible EPB	RT-1321	/164	S-1124	Adhesive

ORDERING INFORMATION

222F242 -51 -02 /164



THIS DRAWING IS SUBJECT TO CHANGE WITHOUT NOTICE; CONSULT YOUR  
 NEAREST FIELD REPRESENTATIVE FOR CURRENT REVISION

If this document is printed it becomes uncontrolled.  
 Check for the latest revision.



RAYCHEM CORPORATION  
 300 CONSTITUTION DRIVE  
 MENLO PARK, CALIFORNIA 94025

Revision : A  
 Date : 4/16/97

Part Number : 222F242-XX-02  
 Description : Boot, 90°, With lip

CAD FILE MP97074