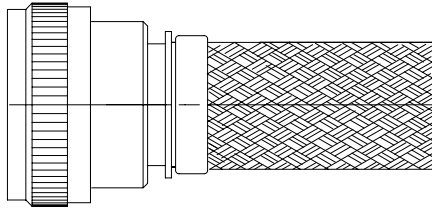


REVISIONS			
LTR	DESCRIPTION	DATE	APPROVED
K	REVISED PER ECN AD93032		



CODE 61, SHIELDED STRAIGHT ADAPTER

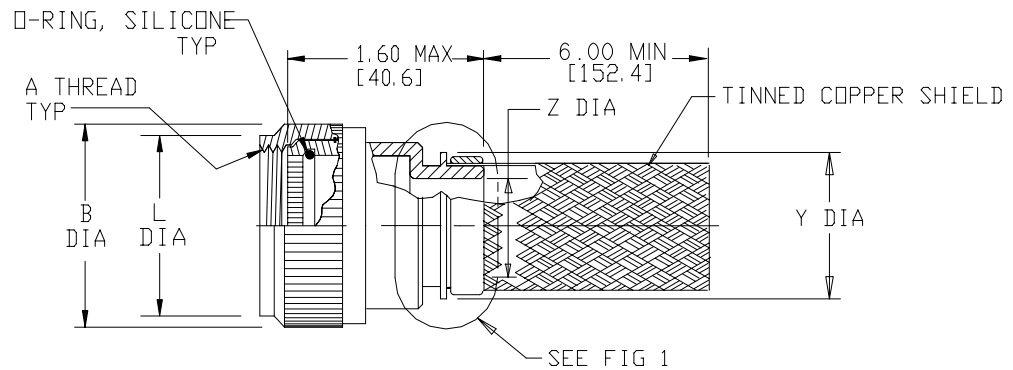
NOTES:

1. THIS PRODUCT IS DESIGNED TO TERMINATE A HEAT SHRINKABLE LIPPED BOOT TO A CONNECTOR.
2. FOR ADDITIONAL DIMENSIONS, ORDERING INFORMATION AND MODIFICATIONS, SEE CH00-0250-004.
3. ADAPTER TO BE PERMANENTLY MARKED WITH CODE IDENT. NO. AND PART NO. (E. G.: 06090-205M014-19B10).
- ④ FOR LARGER ENTRY SIZES, A 2 PIECE ADAPTER (TYPE II) IS SUPPLIED.
- ⑤ BRAID TERMINATION RING MAY BE SUPPLIED AS TINEL-LOCK SHAPE MEMORY RING AT MANUFACTURER'S OPTION.
- ⑥ ADAPTER MATES TO MIL-C-81511, SERIES 1, 2, 3 & 4, CLASS A, C, E, F, P AND T. M81511/1, /5, /6, /21, /23, /25, /26, /31, /32, /33, /34, /35, /36, /37, /38, /45, /46, /49, /51, /53, /55 AND /56 CONNECTORS.

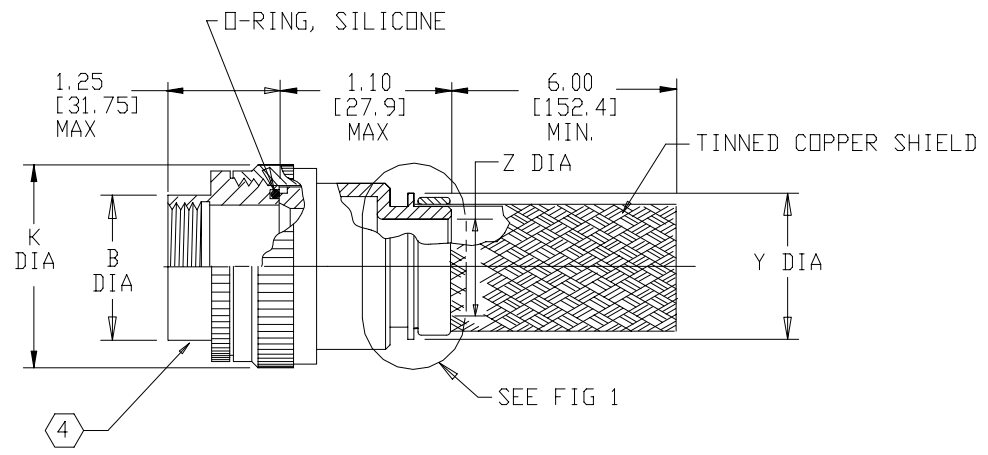
If this document is printed it becomes uncontrolled.
Check for the latest revision.

SPECIFICATION CONTROL DRAWING

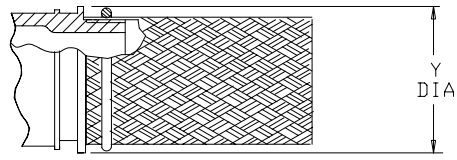
UNLESS OTHERWISE SPECIFIED DIMENSIONS ARE IN INCHES. METRIC DIMENSIONS ARE IN BRACKETS. DECIMALS .XXX ± — [mm] .XX ± — [mm] .X ± — [mm] ANGLES .X ± —	DRAWN E. GOLDY	DATE 07-09-93		Tyco Electronics Corporation 300 Constitution Drive Menlo Park, CA. 94025 U.S.A.		
	CHECKED	DATE				
	APPROVED	DATE	TITLE ADAPTER, SHIELD, STRAIGHT CODE 61			
	APPROVED	DATE				
CAD NAME \ACAD12\205M0XX		SIZE A	CODE IDENT. NO. 06090	DWG. NO. 205M0XX	REV K	
THIRD ANGLE PROJECTION		DO NOT SCALE THIS DWG				
				SHEET 1 OF 3		



STRAIGHT ADAPTER-TYPE I



STRAIGHT ADAPTER-TYPE II



TINEL-LOCK TERMINATION
FIG 1 (5)

If this document is printed it becomes uncontrolled.
Check for the latest revision.

SIZE	CODE IDENT. NO.	DWG. NO.	REV
A	06090	205M0XX	K
DO NOT SCALE THIS DWG		CAD NAME \ACAD12\205M0X-2	SHEET 2 OF 3

TABLE I

BASE PART NO.	SHELL SIZE $\text{\textcircled{6}}$		MAX ENTRY SIZE TYPE I $\text{\textcircled{4}}$	A THREAD CLASS 2B	B DIA MAX	L DIA MAX
	COML	MIL				
205M008	8	A	06	.500-28 UNEF	.86 [21.8]	.57 [14.5]
205M010	10	B	08	.625-28 UN	.98 [24.9]	.70 [17.8]
205M014	14	D	12	.875-28 UN	1.23 [31.2]	.95 [24.1]
205M016	16	E	14	1.000-28 UN	1.36 [34.5]	1.07 [27.2]
205M018	18	F	16	1.125-28 UN	1.48 [37.6]	1.20 [30.5]
205M020	20	G	18	1.250-28 UN	1.63 [41.4]	1.32 [33.5]
205M022	22	H	20	1.375-28 UN	1.73 [43.9]	1.45 [36.8]
205M024	24	J	22	1.500-28 UN	1.86 [47.2]	1.57 [39.9]

TABLE II

ENTRY SIZE	K MAX	Z $\pm .020$ [± 0.51]	Y DIA MIN
03	NA	.187 [4.75]	.393 [9.98]
04	NA	.250 [6.35]	.456 [11.58]
05	.80 [20.3]	.312 [7.92]	.515 [13.08]
06	.80 [20.3]	.375 [9.53]	.581 [14.76]
07	.92 [23.4]	.438 [11.13]	.643 [16.33]
08	.92 [23.4]	.500 [12.70]	.705 [17.91]
09	1.18 [30.0]	.562 [14.27]	.705 [17.91]
10	1.18 [30.0]	.625 [15.88]	.831 [21.11]
11	1.18 [30.0]	.688 [17.48]	.893 [22.68]
12	1.35 [34.3]	.750 [19.05]	.953 [24.21]
13	1.41 [35.8]	.812 [20.62]	.953 [24.21]
14	1.41 [35.8]	.875 [22.23]	1.081 [27.46]
15	1.60 [40.6]	.938 [23.83]	1.143 [29.03]
16	1.60 [40.6]	1.000 [25.40]	1.205 [30.61]
18	1.66 [42.2]	1.125 [28.58]	1.381 [35.08]
20	2.04 [51.8]	1.250 [31.75]	1.506 [38.25]
22	2.23 [56.6]	1.375 [34.93]	1.631 [41.43]
24	2.23 [56.6]	1.500 [38.10]	1.756 [44.60]
28	2.48 [63.0]	1.750 [44.45]	2.004 [50.90]

If this document is printed it becomes uncontrolled.
Check for the latest revision.

SIZE A	CODE IDENT. NO. 06090	DWG. NO. 205M0XX	REV K
DO NOT SCALE THIS DWG		CAD NAME \ACAD12\205M0X-3	SHEET 3 OF 3