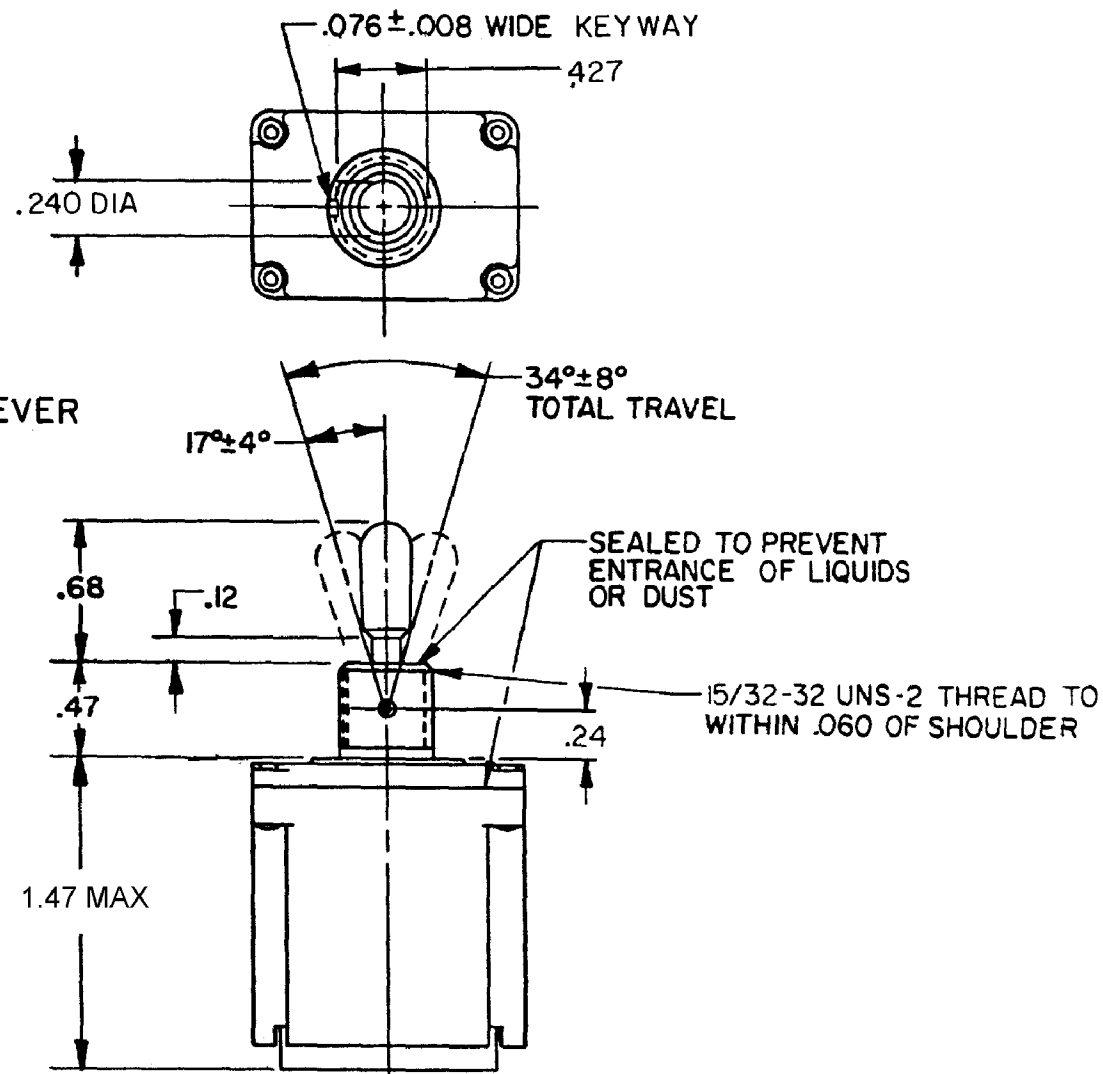
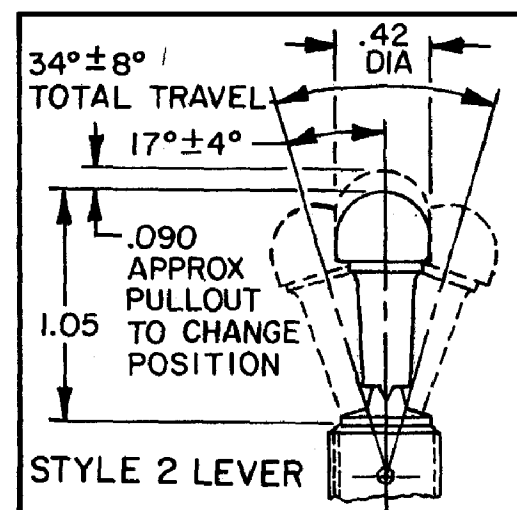
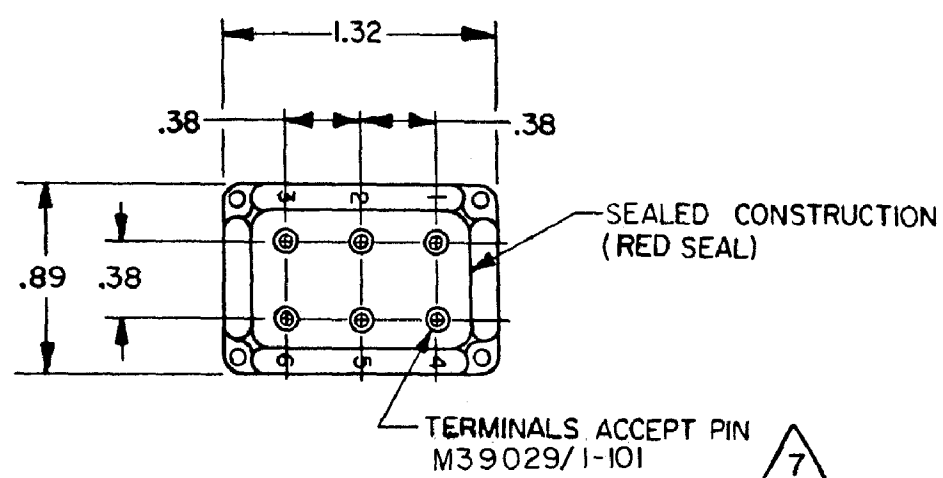


HONEYWELL  
PART NUMBER  
102TL2-72L

REV	DOCUMENT	CHANGED BY	CHECK
A	0011417	RS 28 FEB 05	AK



STYLE 1 LEVER



CATALOG LISTING	AVAILABLE LOCKING COMBINATIONS FOR CONFIGURATION SEE LETTERING DETAILS	STYLE NUMBER	CURRENT CAPACITY (AMPS)								
			RESISTIVE LOAD				LAMP LOAD				
			DC VOLTS	AC VOLTS	DC VOLTS	AC VOLTS	DC VOLTS	AC VOLTS	DC VOLTS	AC VOLTS	
102TL2-72	NONE	1	18	75	.5	11	6	5	2	10	8
102TL2-72/6	A,B,D,E,F,G,H,J,K,L,M,N,P	2									

"A" LOCKED IN THREE POSITIONS	"B" LOCKED IN CENTER AND EXTREME POSITION (KEYWAY SIDE)	"D" LOCKED OUT OF CENTER POSITION	"E" LOCKED IN CENTER POSITION	"F" LOCKED IN EXTREME POSITION (OPPOSITE KEYWAY)	<p>LOCKWASHER</p> <p>LOCKING RING</p> <p>HEX NUT (2)</p>
"G" LOCKED IN EXTREME POSITION (KEYWAY SIDE)	"H" LOCKED OUT OF CENTER AND EXTREME POSITION (KEYWAY SIDE)	"J" LOCKED OUT OF CENTER AND EXTREME POSITION (OPPOSITE KEYWAY)	"K" LOCKED IN CENTER AND EXTREME POSITION (OPPOSITE KEYWAY)	"L" LOCKED OUT OF EXTREME POSITION (KEYWAY SIDE)	
"M" LOCKED OUT OF AND INTO EXTREME POSITION (OPPOSITE KEYWAY)	"N" LOCKED OUT OF EXTREME POSITION (OPPOSITE KEYWAY)	"P" LOCKED OUT OF AND INTO EXTREME POSITION (KEYWAY SIDE)			

CIRCUIT MADE WITH TOGGLE LEVER IN		
KEYWAY SIDE	CENTER	OPPOSITE KEYWAY
<p>MOMENTARY POSITION</p>	<p>MAINTAINED POSITION</p>	<p>MOMENTARY POSITION</p>

NOTES

- 1 - SWITCHES ARE CAPABLE OF WITHSTANDING A TEMPERATURE OF 160°F CONTINUOUSLY AT FULL RATED LOAD
- 2 - CIRCUIT DESIGNATION, MICRO SWITCH CATALOG LISTING, AND DATE CODE ON SIDE OF SWITCH
- ③ FURNISHED UNASSEMBLED
- 4 - UNUSED TERMINAL HOLES MAY BE SEALED WITH PLUGS M83723/28-20
- ⑤ KEYWAY SHOWN ON LEFT SIDE
- ⑥ SUFFIX LETTER MUST BE ADDED FOR DESIRED TYPE TOGGLE LOCKING
- ⑦ THE SEALING GROMMET SHALL SEAL ON A SMOOTH WIRE INSULATION OF .040 TO .083 DIAMETERS (16-20 GAGE)

WEIGHT : .135 LB MAX

REPLACES : 102TL2-70 SERIES

DESIGN UNITS: INCH TOLERANCES UNLESS NOTED:	DRAWN RS 28 FEB 05	
NO PLACE .X ± ONE PLACE .X ± TWO PLACE .XX ± THREE PLACE .XXX ± FOUR PLACE .XXXX ± ANGLES ±	CHECK AK 28 FEB 05	
THIRD ANGLE PROJECTION	THIS DRAWING COVERS A PROPRIETARY ITEM AND IS THE PROPERTY OF HONEYWELL. THIS DRAWING IS NOT TO BE COPIED OR USED WITHOUT THE PERMISSION OF HONEYWELL.	
	INTERPRET PER ANSI Y14.5M-1982 OTHER HONEYWELL ENGINEERING STANDARDS MAY APPLY	TITLE SWITCH - TOGGLE
	RASTER	DRAWING NAME 102TL2-72 SERIES CHART 1
		SIZE C TYPE I
		SCALE --- SHEET 1 OF 1