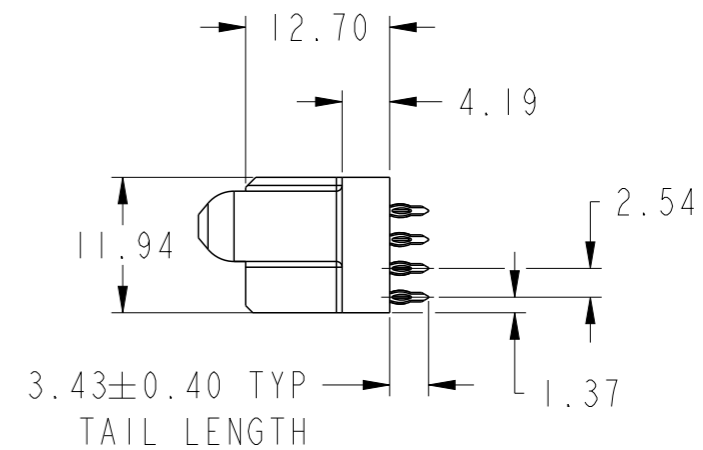
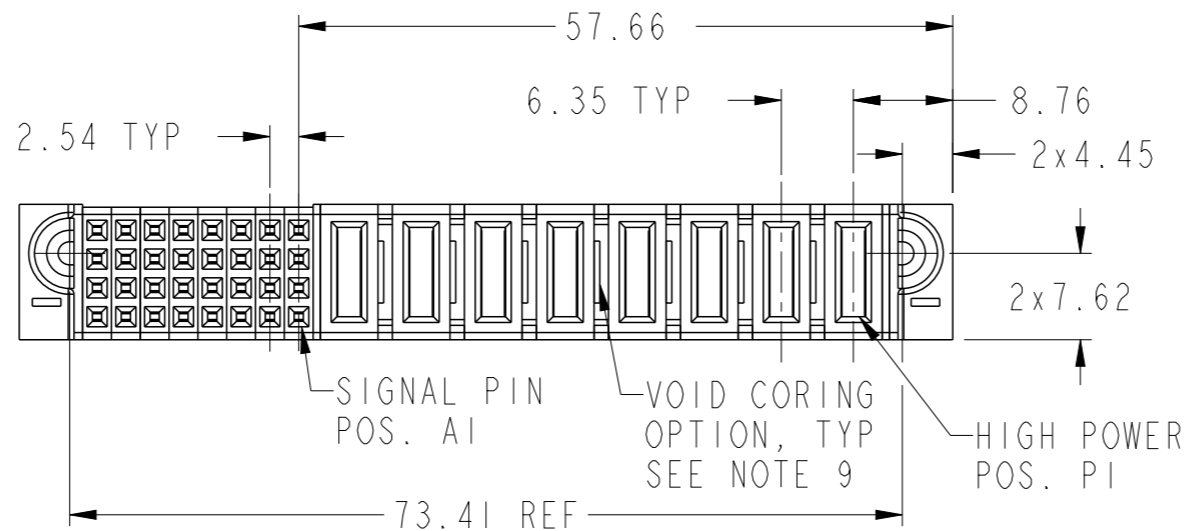
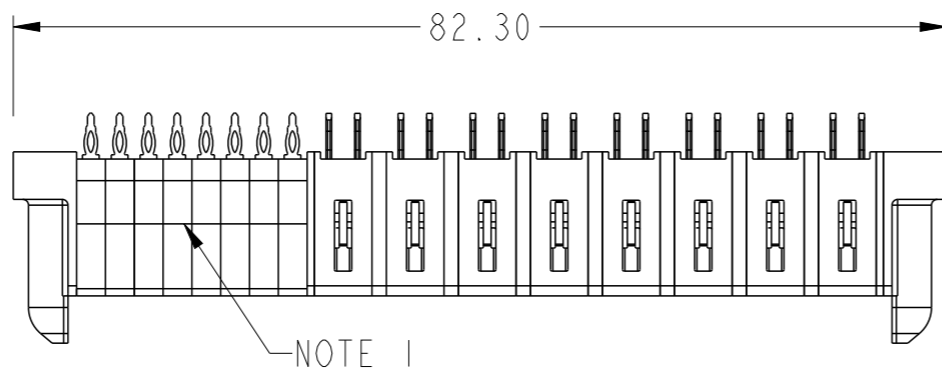
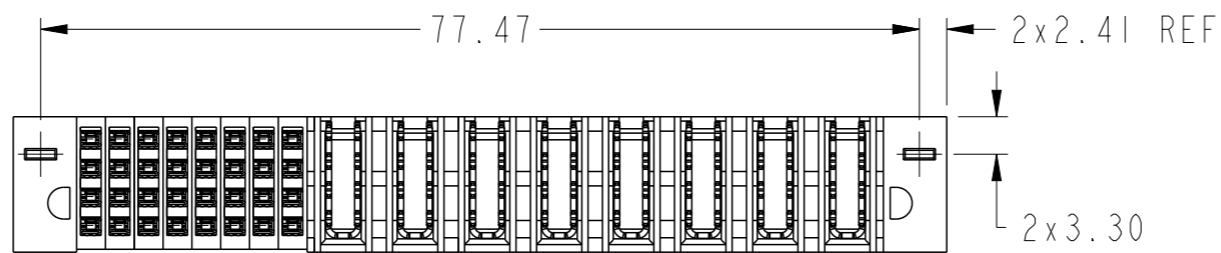


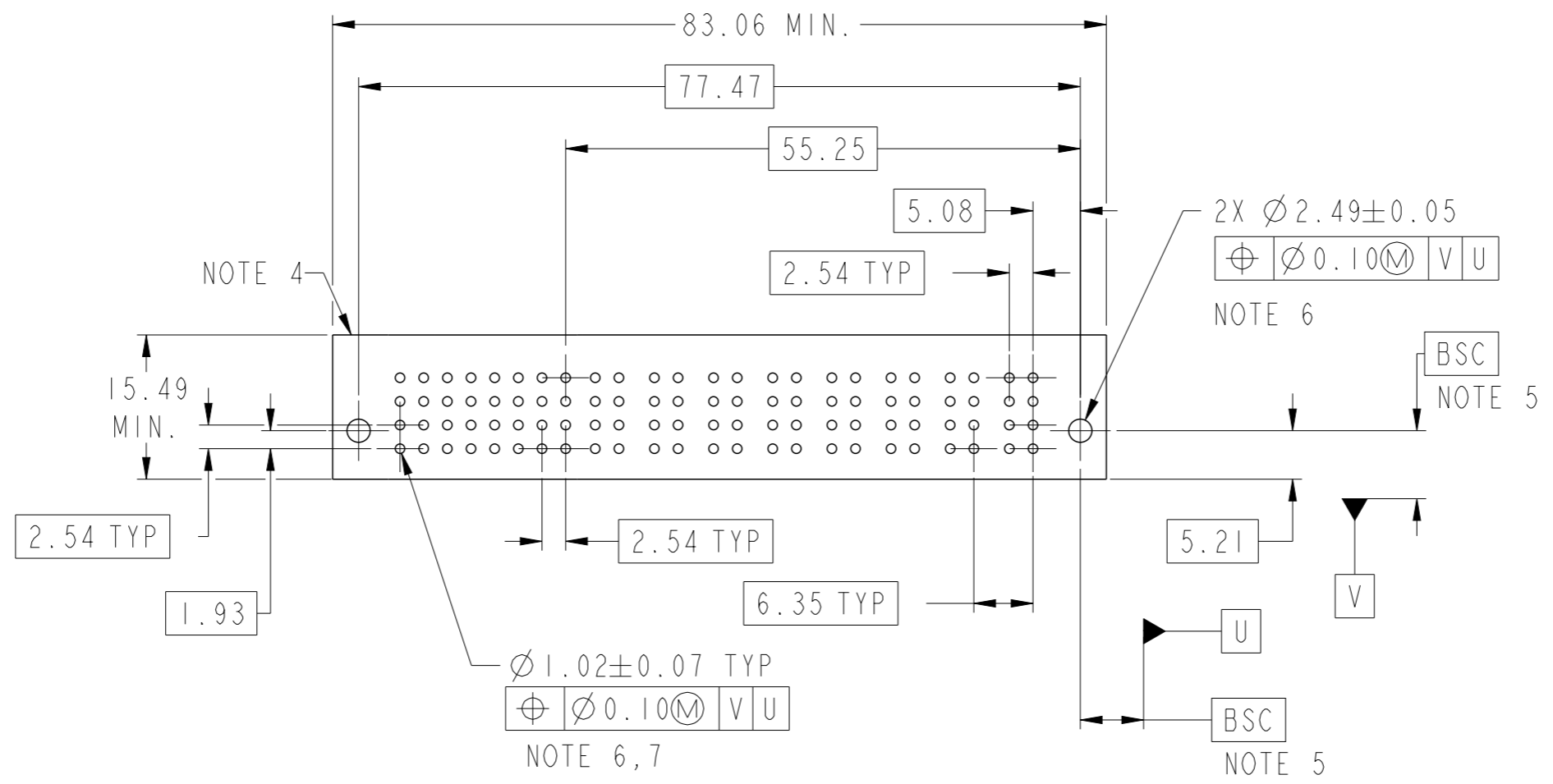
PRODUCT NUMBER SEE SHEET 2



spec ref		dr	Rainbow Zhan	2014/06/15	projection	MM	size	A3	scale	3:2
tolerance std		eng	Rainbow Zhan	2014/07/24			ecn no		-	
ASME Y14.5		chr	Li-He	2014/07/23			rel level		Released	
TOLERANCES UNLESS OTHERWISE SPECIFIED		appr	Pei-Ming Zheng	2014/07/24	product family		PowerBlade+		-	
surface		linear	0.X	±0.50		part no		8HP + 32S		rev A
			0.XX	±0.25		VT PF RECEPTACLE		dwg no 10106131-8008002		
			0.XXX	±0.10		cat. no.				
ASME Y14.5	angular	0°	±2°	www.fci.com		Product - Customer Drw		sheet 1 of 3		

PRODUCT NO.	ROWS	SIGNAL								HIGH POWER								
		E1	8	7	6	5	4	3	2	1	P8	P7	P6	P5	P4	P3	P2	P1
10106131-8008002LF	D C B A	F	F	F	F	F	F	F	F	HD	HG	HG	HG	HG	HG	HG	HG	

CODE	DESCRIPTION
F	STD SIGNAL CONTACT
HD	MFBL HIGH POWER CONTACT (3.43)
HG	STD HIGH POWER CONTACT (3.43)



Copyright FCI.

dr	Rainbow Zhan	2014/06/15	projection	MM	size	A3	scale	3:2
eng	Rainbow Zhan	2014/07/24			ecn no			
chr	Li-He	2014/07/23			-			
appr	Pei-Ming Zheng	2014/07/24	product family	PowerBlade+	rel level			
			Released					
		title 8HP + 32S VT PF RECEPTACLE			dwg no 10106131-8008002		rev A	
www.fci.com		cat. no.		Product - Customer Drw			sheet 2 of 3	

A

B

C

D

A

B

C

D

NOTES:

- 1) "FCI", PART NUMBER AND DATE CODE TO BE MARKED ON THIS SURFACE.  
THE MARK CAN BE OMITTED IF THERE IS NOT ENOUGH SPACE ON THIS SURFACE.
- 2) MATERIALS:  
-HOUSING - GLASS FILLED WITH HIGH TEMP THERMOPLASTIC, UL94V-0.  
-SIGNAL CONTACT - COPPER ALLOY.  
-POWER CONTACT - HIGH CONDUCTIVITY COPPER ALLOY.
- 3) PLATING SPECIFICATION REFER TO FCI 10116351
- 4) DENOTES CONNECTOR KEEP OUT ZONE.
- 5) DATUM AND BASIC DIMENSIONS WERE ESTABLISHED BY CUSTOMER.
- 6) ALL HOLE DIAMETERS ARE FINISHED HOLE SIZES.
- 7) 1.15 ± 0.025MM DRILLED HOLE PLATED WITH 0.00762MM MIN Sn  
OVER 0.0254-0.0762MM Cu PLATING TO ACHIEVE A 1.02 ± 0.07MM HOLE.
- 8) PRODUCT SPECIFICATION REFER TO FCI GS-12-658.  
APPLICATION SPECIFICATION REFER TO FCI GS-20-141.  
PRODUCT PACKAGED IN TRAYS, REFER TO FCI GS-14-1502.
- 9) THE VOID CORING IN BETWEEN POWER MODULES, SIGNAL  
MODULES AND END MODULES ARE OPTIONAL AND THE SHAPE  
MAY BE DIFFERENT FOR OPTIMIZE THE MOLDING PROCESS. THE  
VOID CORING WILL NOT EFFECT TO PRODUCT FUNCTION.



Copyright FCI.

dr	Rainbow Zhan	2014/06/15	projection 	MM ←→	size	A3	scale	1:1	
eng	Rainbow Zhan	2014/07/24			ecn no	-			
chr	Li-He	2014/07/23	product family	PowerBlade+	rel level				
appr	Pei-Ming Zheng	2014/07/24			Released				
		8HP + 32S VT PF RECEPTACLE			dwg no	10106131-8008002		rev	A
www.fci.com		cat. no.	Product - Customer Drw			sheet 3 of 3			