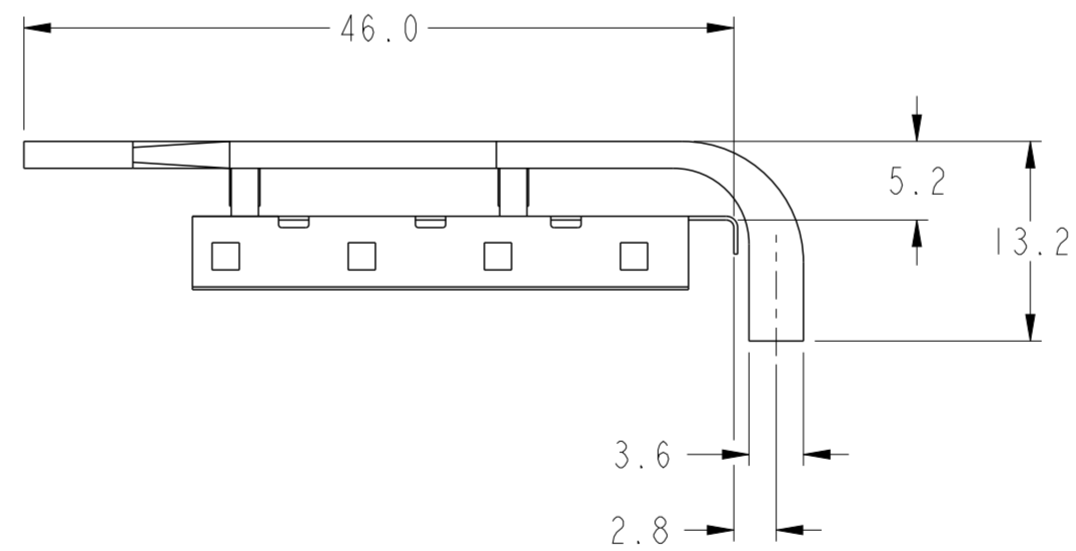
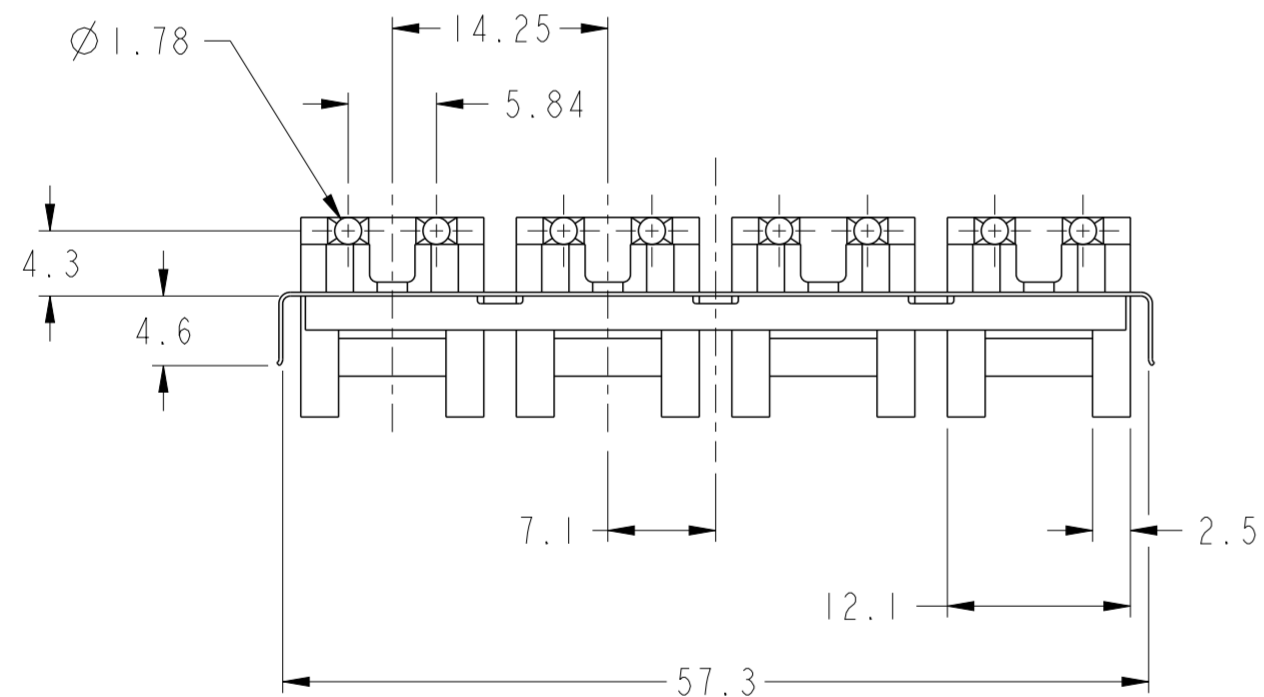
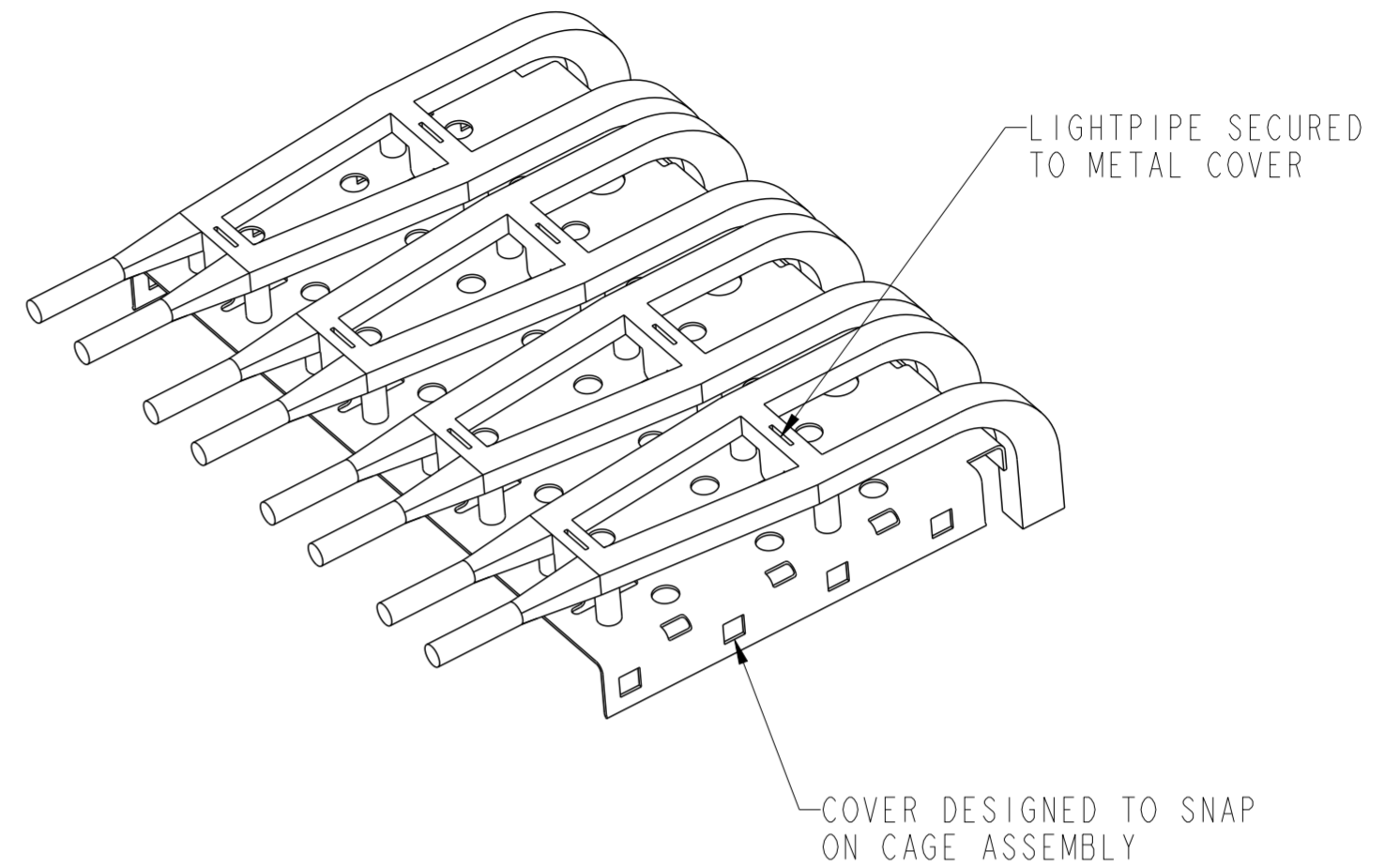
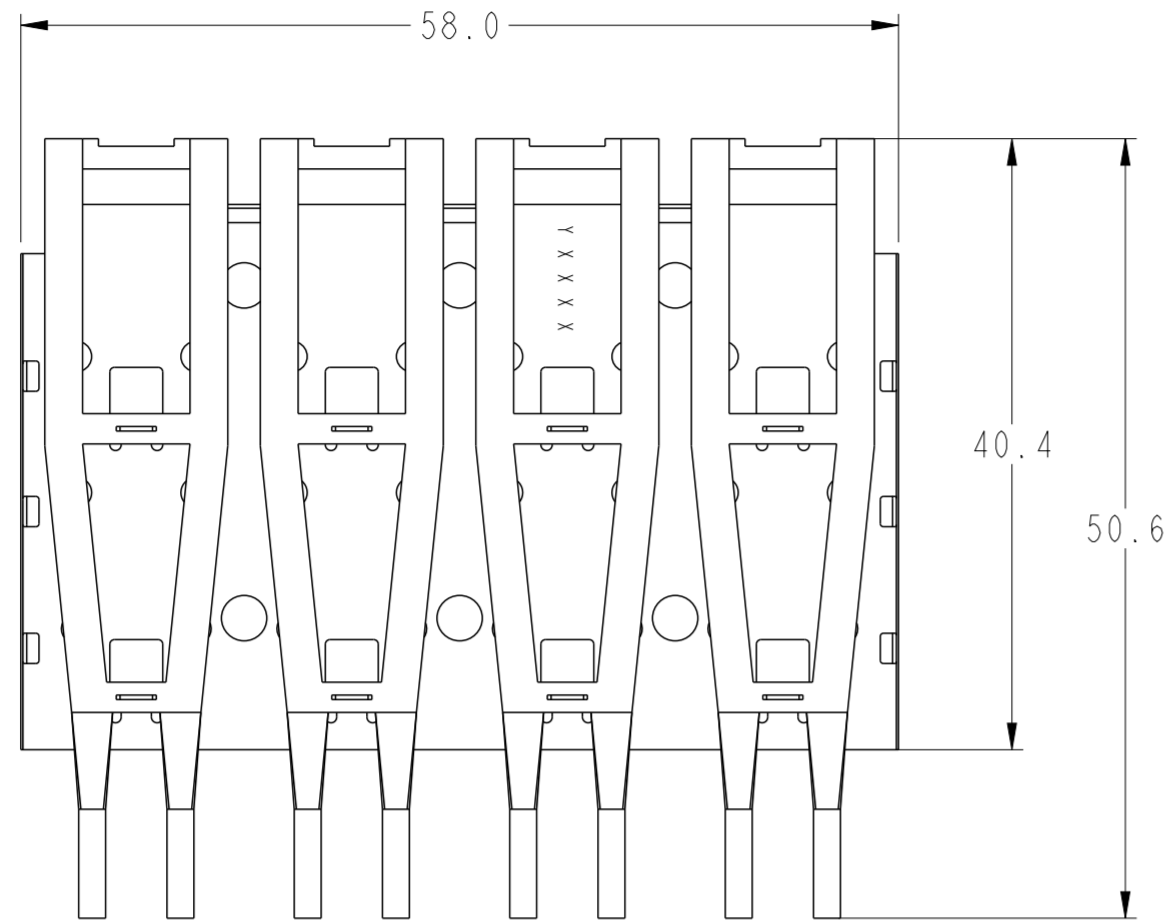


PRODUCT NUMBER	PACKAGING
10099108-011LF	TRAY



NOTES:

- MATERIAL:  
COVER: STAINLESS STEEL  
LIGHTPIPE: POLYCARBONATE, UL94-V0
- LIGHT PIPE KIT IS TO BE USED WITH IX4 CAGE WITH LIGHT PIPE HOOKS.
- CAGE IS TO BE PRESSED TO THE PCB PRIOR TO ASSEMBLING THE LIGHT PIPE KIT ASSEMBLY.
- PRODUCT SPECIFICATION: GS-12-616
- APPLICATION SPECIFICATION: GS-20-125
- PRODUCT MEETS EUROPEAN UNION DIRECTIVES AND OTHER COUNTRY REGULATIONS AS DESCRIBED IN GS-22-008.

Year: Y  
 Month: X  
 Date: X X X X  
 Special Code: X  
 Serial number: X

DATE CODE DESCRIPTION

spec ref	-	dr	Andy Zhang	2010/1/03	projection	MM	size	A2	scale	2:1
tolerance std	ASME Y14.5	eng	Andy Zhang	2012/01/03	chr	-	ecn no	ELX-N-009122-1		
TOLERANCES UNLESS OTHERWISE SPECIFIED		appr	Rick Bian	2012/01/04	product family	SFP+	rel level	Released		
surface	linear	0.X	±0.25		SFP+ IX4 LIGHT PIPE		dwg no 10099108	rev B		
		0.XX	±0.15		SFP+ CAGE KIT					
		0.XXX	±0.10							
ASME Y14.5	angular	0°	±3°	www.fci.com	cat. no.	-	Product - Customer Drw	sheet 1 of 1		