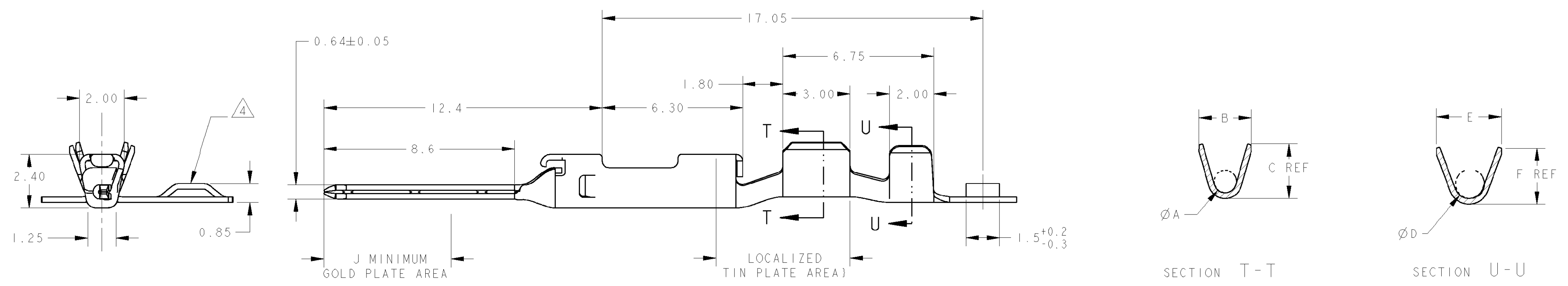
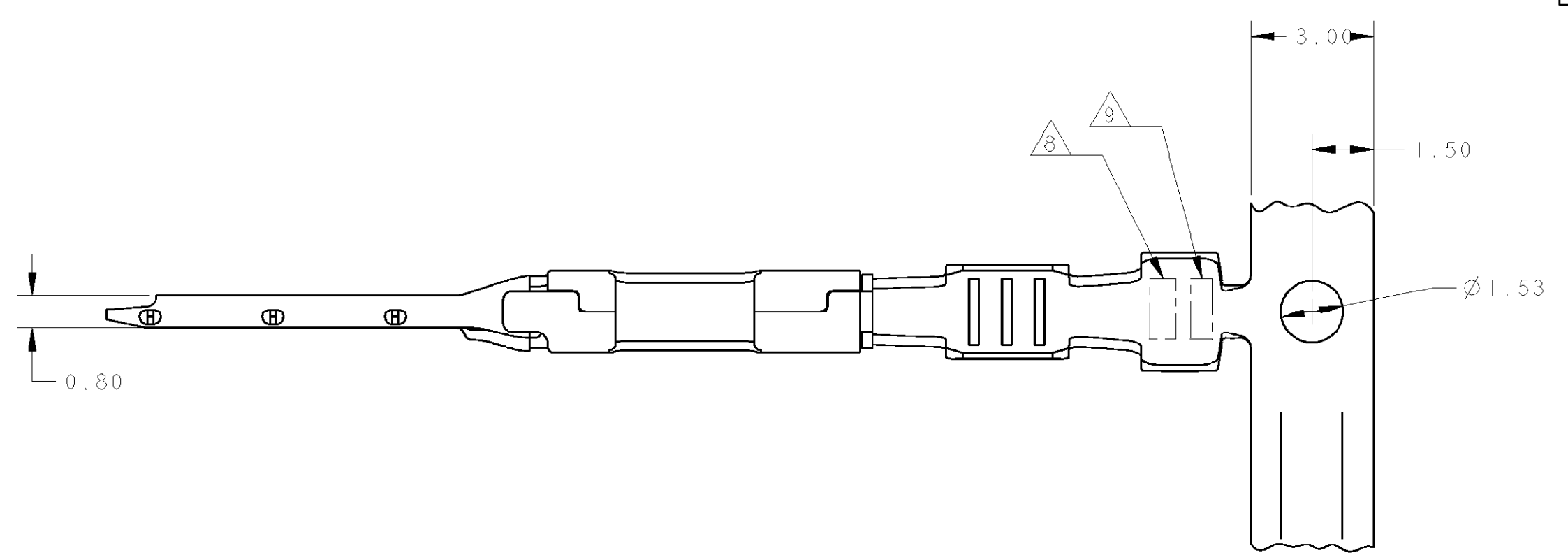
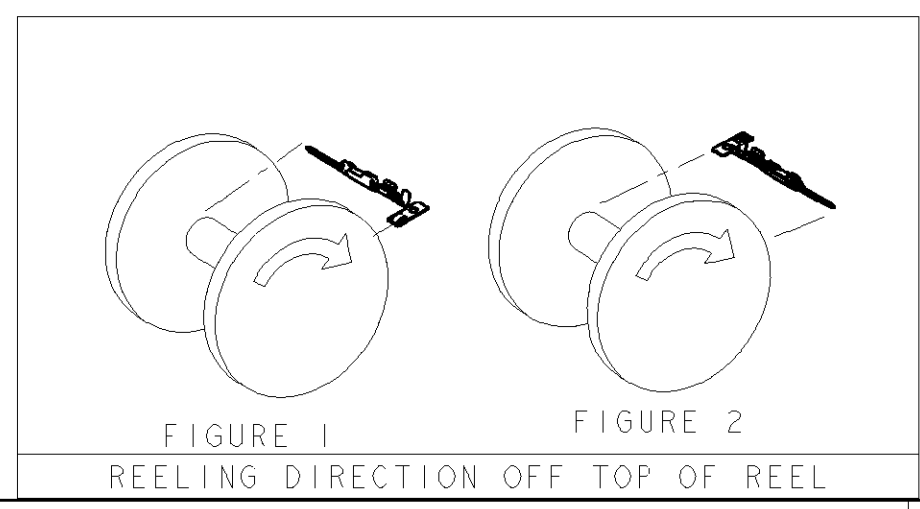


THIS DRAWING IS UNPUBLISHED. RELEASED FOR PUBLICATION 20
 © COPYRIGHT 20 BY TYCO ELECTRONICS CORPORATION. ALL RIGHTS RESERVED.

LOC	DIST	REVISIONS			
P	LTR	DESCRIPTION	DATE	DWN	APVD
FX	00	0 EC 0K80-0282-01	23OCT01	FK	AE



- 1 MATERIAL: 0.25 THK BRASS
- 2 FINISH: 0.0025 MIN THK TIN IN LOCALIZED TIN PLATE AREA AND 0.00076 MIN THK GOLD IN GOLD PLATE AREA, ALL OVER 0.002 MIN THK NICKEL.
- 3 FOR USE WITH SHUNTED CONNECTOR.
- 4 FEATURE ON CARRIER STRIP IS RAISED TO INDICATE GOLD PLATED PRODUCT FEATURE APPEARS ADJACENT TO EVERY OTHER CONTACT MIN.
- 5 SEE FIGURE 1 FOR REELING DIRECTION.
- 6 SEE FIGURE 2 FOR REELING DIRECTION.
- 7. TERMINAL LUBRICATED WITH CHEMLUB 1102.
- 8 AMP TRADEMARK STAMPED IN THIS APPROXIMATE LOCATION. OPPOSITE SIDE.
- 9 WEEK CODE (YWW) STAMPED IN THIS APPROXIMATE LOCATION. OPPOSITE SIDE.



5.70	1.80	2.40	1.30	1.90	1.90	0.80	6	22	1488208-8	
5.70	2.50	2.90	1.30	2.40	2.30	1.00		18-20	1488208-7	
7.00	3	1.80	2.40	1.30	1.90	0.80	5	22	1488208-6	
7.00	3	2.50	2.90	1.30	2.40	2.30		1.00	18-20	1488208-5
7.00	3	1.80	2.40	1.30	1.90	0.80		22	1488208-4	
7.00	3	2.50	2.90	1.30	2.40	2.30		1.00	18-20	1488208-3
5.70	1.80	2.40	1.30	1.90	1.90	0.80		22	1488208-2	
5.70	2.50	2.90	1.30	2.40	2.30	1.00		18-20	1488208-1	
DIM J	DIM F	DIM E	DIM D	DIM C	DIM B	DIM A	REELING	WIRE SIZE	PART NUMBER	

<small>THIS DRAWING IS A CONTROLLED DOCUMENT FOR TYCO ELECTRONICS CORPORATION. IT IS SUBJECT TO CHANGE AND THE CONTROLLING ENGINEERING ORGANIZATION SHOULD BE CONTACTED FOR THE LATEST REVISION.</small>		DWN F. KINSEY 23OCT01 CHR A. EBRAHEEM 23OCT01 APVD J. MYER 23OCT01	tyco Electronics Tyco Electronics Harrisburg, PA 17105-3608
DIMENSIONS: mm 		TOLERANCES UNLESS OTHERWISE SPECIFIED: 0 PLC ± 1 PLC ±.3 2 PLC ±0.2 3 PLC ± 4 PLC ± ANGLES ±2° FINISH	
MATERIAL 1 FINISH 2		NAME CONTACT, MALE, 0.64MM GOLD PLATED PRODUCT SPEC - APPLICATION SPEC - 114-13006 WEIGHT - CUSTOMER DRAWING	
SIZE A2 CAGE CODE 00779 DRAWING NO. 1488208 RESTRICTED TO -		SCALE 8:1 SHEET 1 OF 1 REV 0	