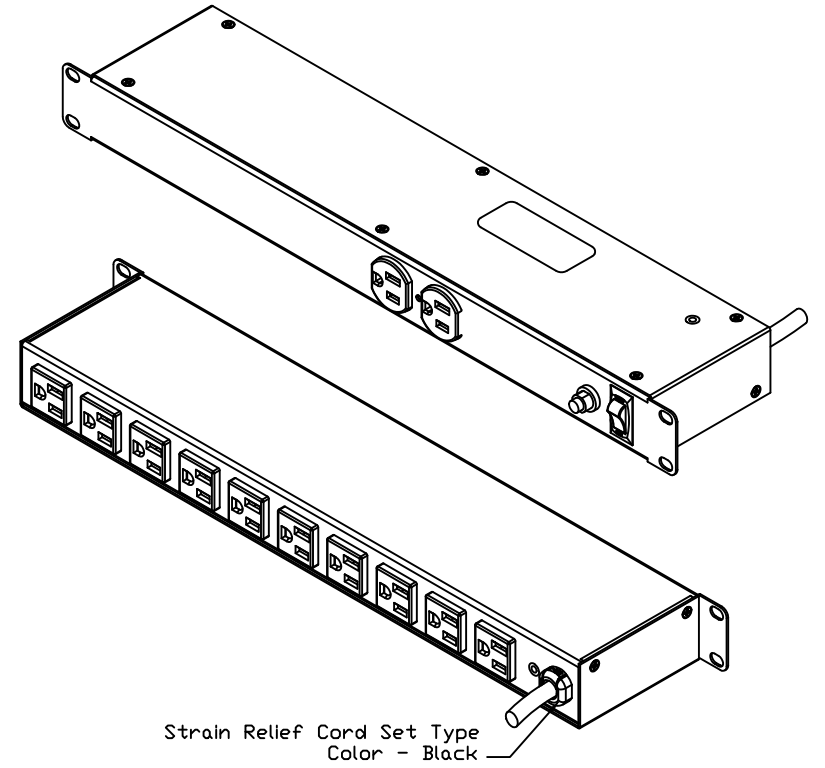
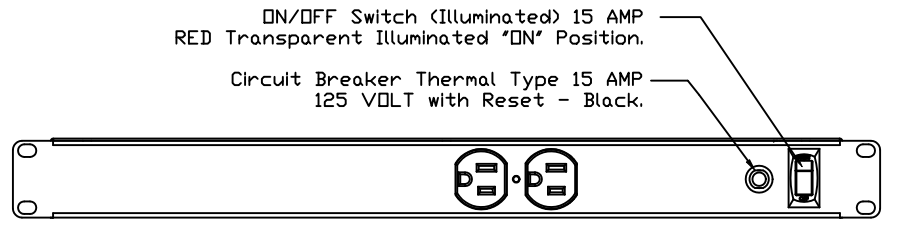
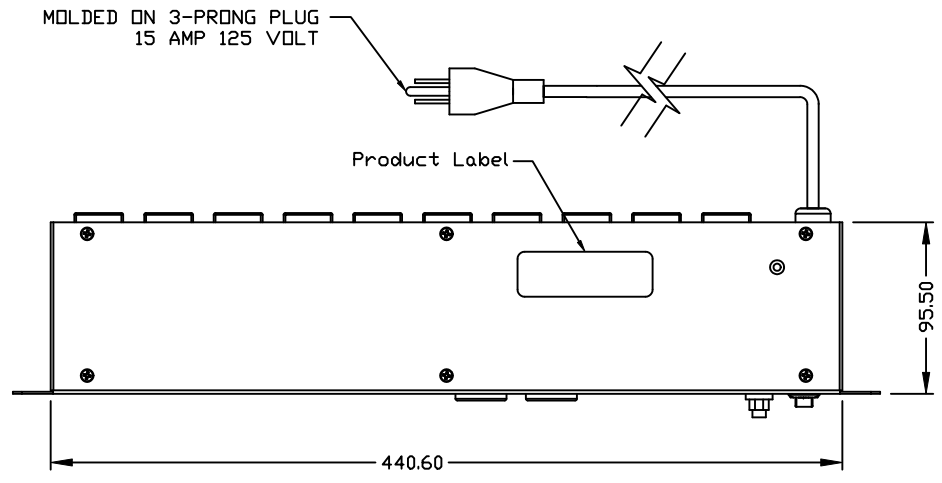
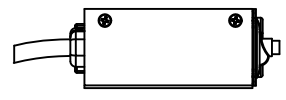
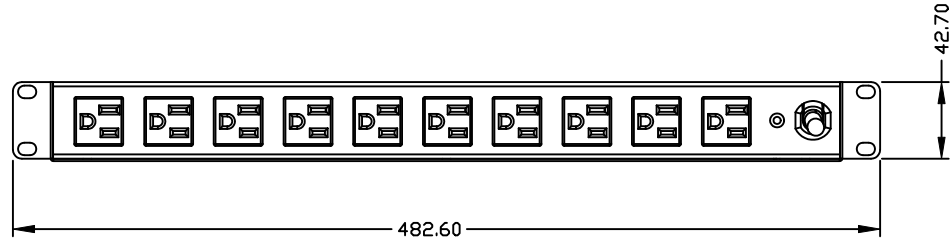


REVISIONS				
ZONE	REV.	DESCRIPTION	DATE	APPROVED
	X	Outlet Definition		WB
	1	Safety and Regulatory	2/19/2016	WB
	2	Production Level Spec.	3/21/2016	WB



Part Description	1U Rack Mount PDU, 12 Outlets (2 Front & 10 Rear), 15A WMP, Circuit Breaker
Delta Part Number	PD1215-RM
Finish	Powder Coat Black
Safety	UL1363 (UR Status)
Cord Length & AWG	15' (14 AWG x 3)
Connector - AC Input	NEMA 5-15P
Connector - AC Output	NEMA 5-15R

DELTA 台灣電子工業股份有限公司
DELTA ELECTRONICS, INC.

THESE DRAWINGS AND SPECIFICATIONS ARE THE PROPERTY OF DELTA ELECTRONICS, INC. AND SHALL NOT BE REPRODUCED OR USED AS THE BASIS FOR THE MANUFACTURE OR SELL OF APPARATUS OR DEVICES WITHOUT PERMISSION.

DIMENSIONAL TOLERANCES

CM	±0.25	FR	±0.25	FR	±0.25	FR	±0.25	FR	±0.25
IN	±0.010	IN	±0.010	IN	±0.010	IN	±0.010	IN	±0.010

SCALE: UNIT: MM USED ON

Drawn	ID-3D Design	Safety
Design		Layout
Checked		IE:
Approved	W. Bradshaw	EE, Chk
Material	Steel	EE, App'd
Description		
1U HORIZONTAL MOUNT PDU		
Part No.	PD1215-RM	REV.
A2		2
SIZE	SHEET 1 OF 1	ISSUE DATE 22 MAR 16