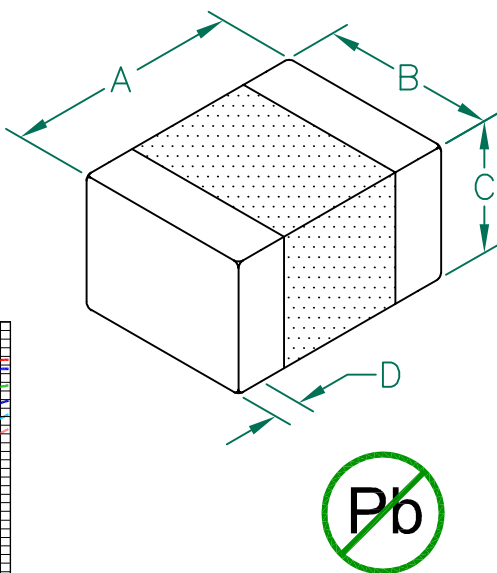


HI1612X560R-10

UNCONTROLLED DOCUMENT

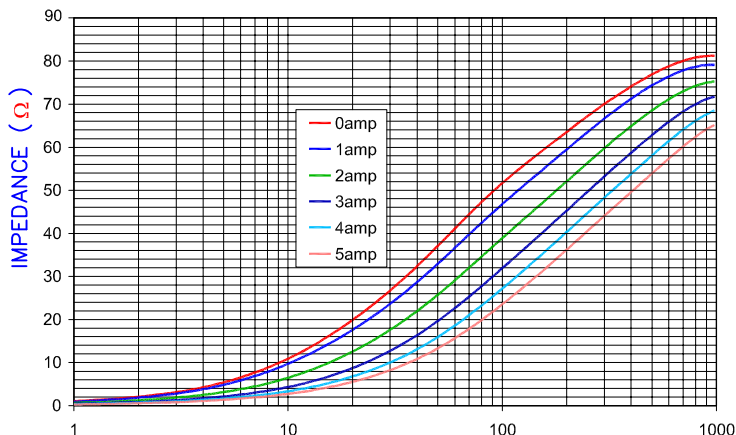
PHYSICAL DIMENSIONS:

| | | |
|---|-------------|---------------|
| A | 4.06 [.160] | + 0.20 [.008] |
| B | 3.05 [.120] | + 0.20 [.008] |
| C | 2.28 [.090] | + 0.20 [.008] |
| D | 0.70 [.028] | + 0.25 [.010] |



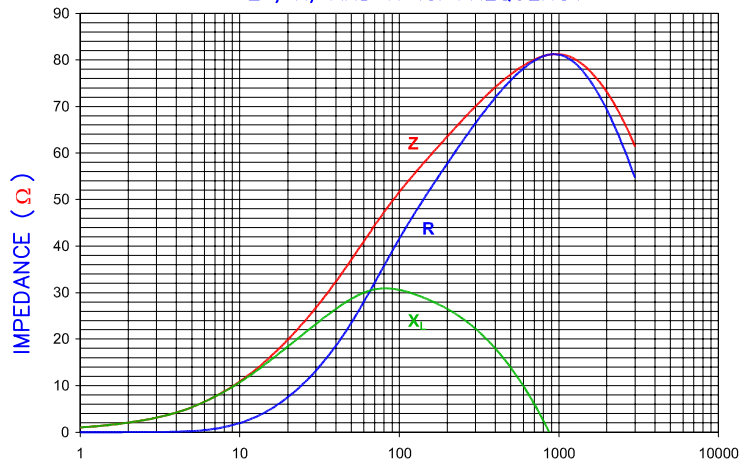
| ELECTRICAL CHARACTERISTICS: | | |
|-----------------------------|------------|---------------|
| Z @ 100MHz (Ω) | DCR (Ω) | Rated Current |
| Nominal | 56 | |
| Minimum | 42 | |
| Maximum | 70 | 10,000 mA |

Z vs FREQUENCY
IMPEDANCE UNDER DC BIAS



FREQUENCY (MHz)

Z, R, AND X vs. FREQUENCY



FREQUENCY (MHz)

Z R X_L

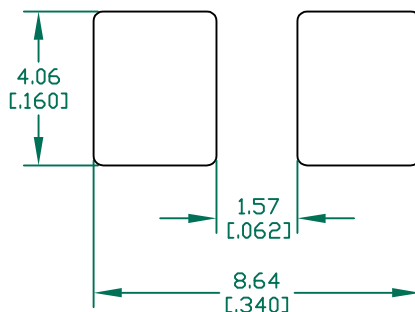
AGILENT E4991A RF Impedance/Material Analyzer
HP 16194A Test Fixture. TEST REF. 3236

NOTES: UNLESS OTHERWISE SPECIFIED

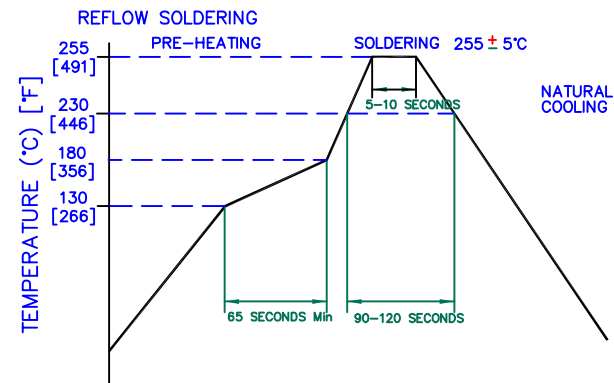
1. TAPED AND REELED per CURRENT EIA SPECIFICATIONS 13" REELS, 2,500 PCS/REEL.
2. COMPONENTS SHOULD BE ADEQUATELY PREHEATED BEFORE SOLDERING.
3. TERMINATION FINISH IS 100% TIN.
4. OPERATING TEMPERATURE TEMP: -40°C~+125°C (INCLUDING SELF-HEATING)

LAND PATTERNS FOR REFLOW SOLDERING

RECOMMENDED SOLDERING CONDITIONS



(For wave soldering, add 0.762 [.030] to this dimension.)



| DIMENSIONS ARE IN mm [INCHES]. | | | | This print is the property of Laird Tech. and is loaned in confidence subject to return upon request and with the understanding that no copies shall be made without the written consent of Laird Tech. All rights to design or invention are reserved. | | Laird | |
|--------------------------------|--|----------|-----|---|------------------|---------------|-----|
| G | ADD OPERATING TEMPERATURE UPDATE LAIRD LOGO AND REFLOW CURVE | 08/05/13 | QU | | | | |
| F | UPDATE D DIMENSION | 03/12/10 | JUN | | | | |
| E | UPDATE COMPANY LOGO | 06/15/09 | JRK | | | | |
| D | UPDATE COMPANY LOGO | 01/18/08 | JRK | PROJECT/PART NUMBER: HI1612X560R-10 | | | |
| C | CHANGE TOLERANCE ON D DIMENSION | 08/29/06 | JRK | REV | PART TYPE: | DRAWN BY: | |
| B | CHANGE D DIMENSION & TOLERANCE | 03/21/06 | JRK | G | CO-FIRE | JRK | |
| A | ORIGINAL DRAFT | 09/19/05 | JRK | DATE: | 09/19/05 | SCALE: | NTS |
| REV | DESCRIPTION | DATE | INT | GAD # | HI1612X560R-10-G | TOOL # | - |
| | | | | | | SHEET: 2 of 2 | |