

1. CONNECTOR DIMENSIONS ARE PER ARINC 600 SPECIFICATION
2. CONTACTS NOT SHOWN IN FRONT & REAR VIEWS FOR CLARITY.
3. KEYING SHOWN IN POSITION FOR REFERENCE ONLY. SEE TABLE FOR KEYING POSITION. FOR POSITION "00" KEYING SHIPPED UNASSEMBLED.
4. INSTALLED CONT AND FILLER PLUG LOCATIONS:
 CAVITY B: SIZE 22 POSTED; QTY=60 (P/N 211431-4)
 CAVITY C: SIZE 16 POSTED; QTY=2; POSITIONS 2 & 4; (P/N 1-1663128-0)
 SIZE 12 POSTED; QTY=1; POSITION 3; (P/N 1663129-8)
 SIZE 5 FILLER PLUG; QTY=2; POSITION 1 & 5 (P/N 1663132-1)
5. DIMENSION APPLIES WITH CONTACTS FULLY SEATED TO REAR OF CONTACT CAVITIES.

COMPONENT	MATERIAL	FINISH
SHELL	ALUMINUM ALLOY A380 PER ASTM-B-85	ELECTROLESS NICKEL PER MIL-C-26074
RETENTION PLATES	ALUMINUM ALLOY PER ASTM-B-209	ELECTROLESS NICKEL PER MIL-C-26074
PAN HEAD SCREWS AND LOCKWASHERS	STAINLESS STEEL	PASSIVATED
FLAT HEAD SCREWS (FOR KEYING HARDWARE)	STAINLESS STEEL	PASSIVATED
POLARIZING KEYS	ZINC ALLOY PER ASTM-B-86	-
POLARIZING KEY RETAINING PLATE	ALUMINUM ALLOY PER ASTM-B-209	BLUE ANODIZED PER MIL-A-8625
BLANK INSERT	TEFLON	-
60 & 5C2 INSERTS	THERMOSET	-
STANDOFF	STAINLESS STEEL	PASSIVATED

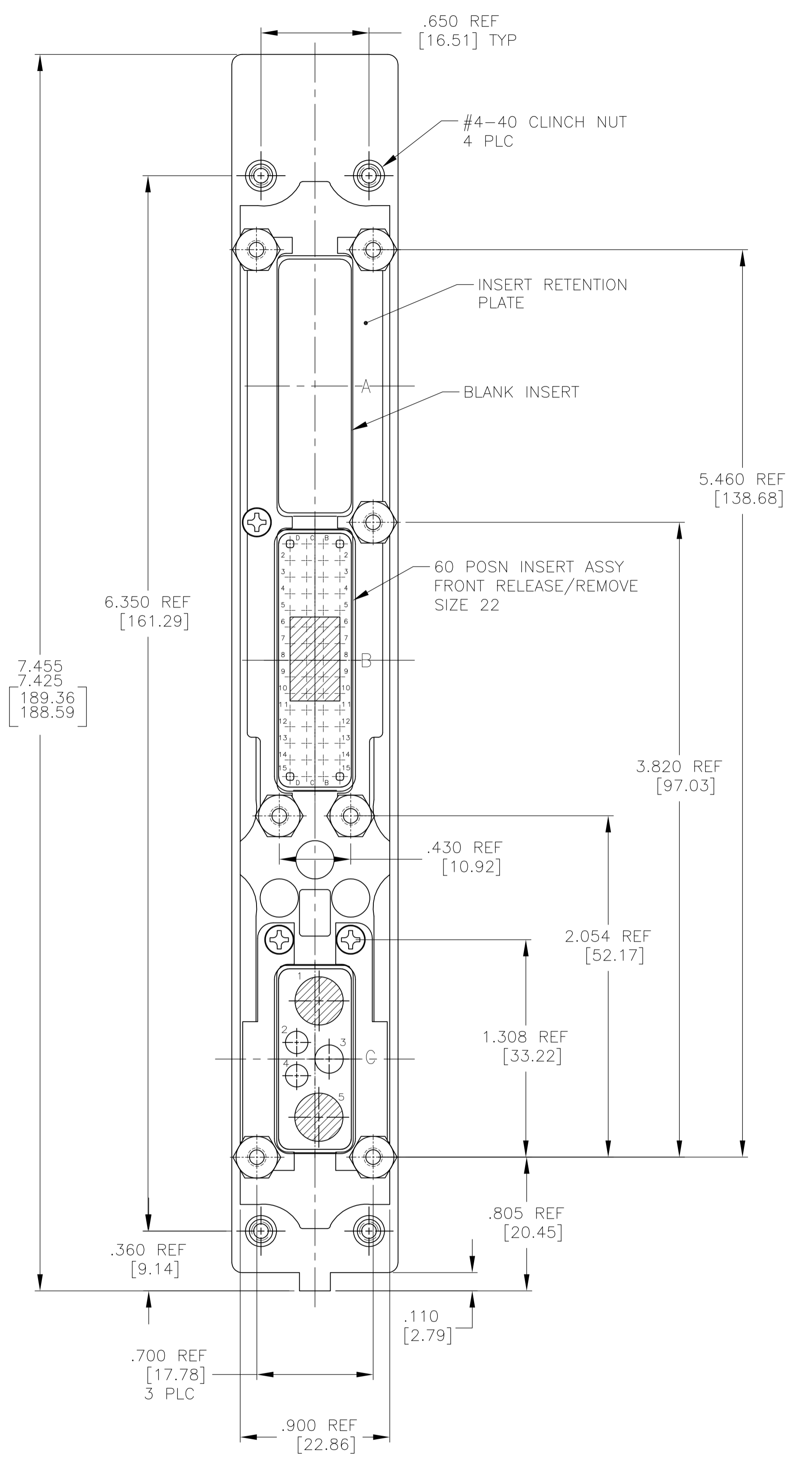
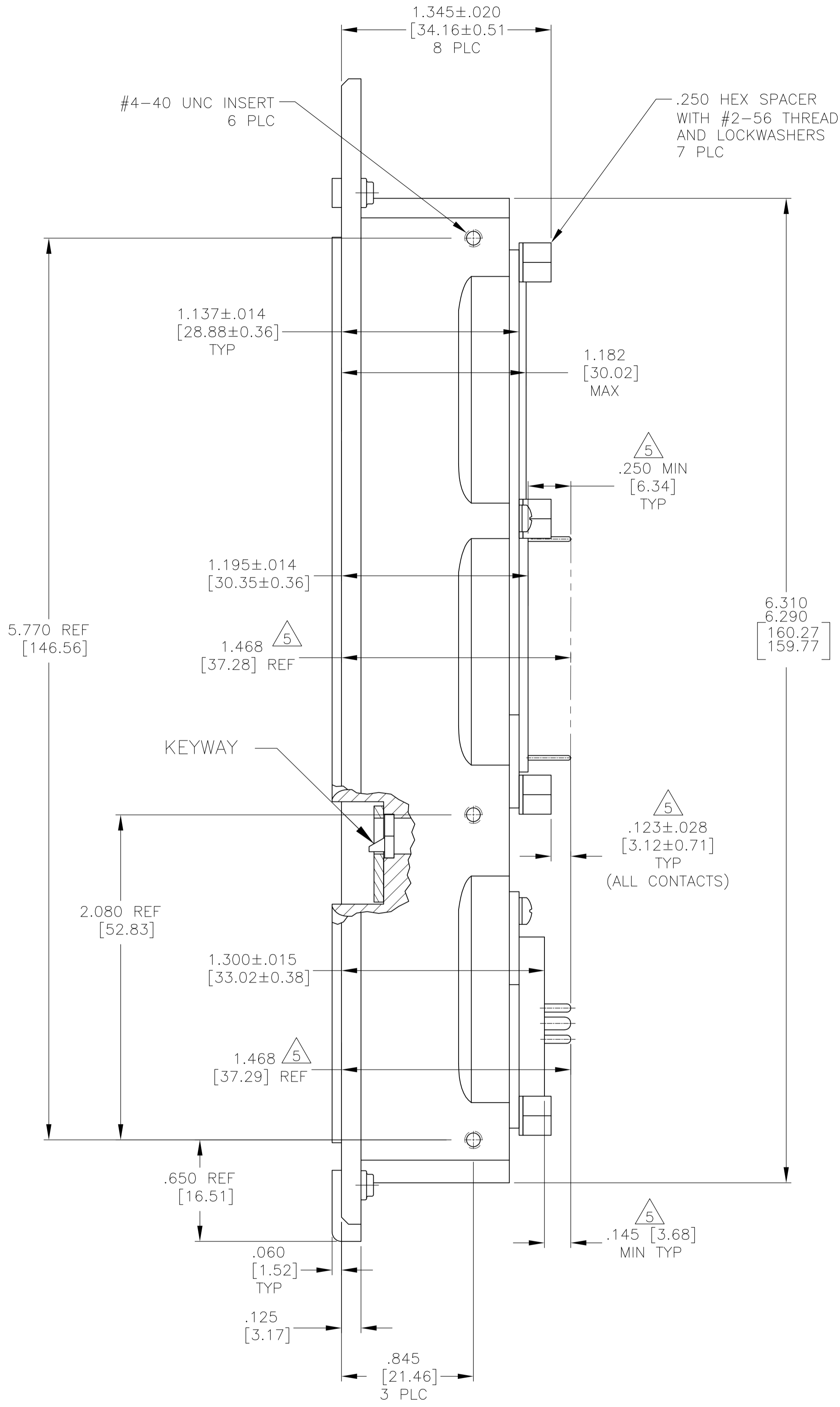
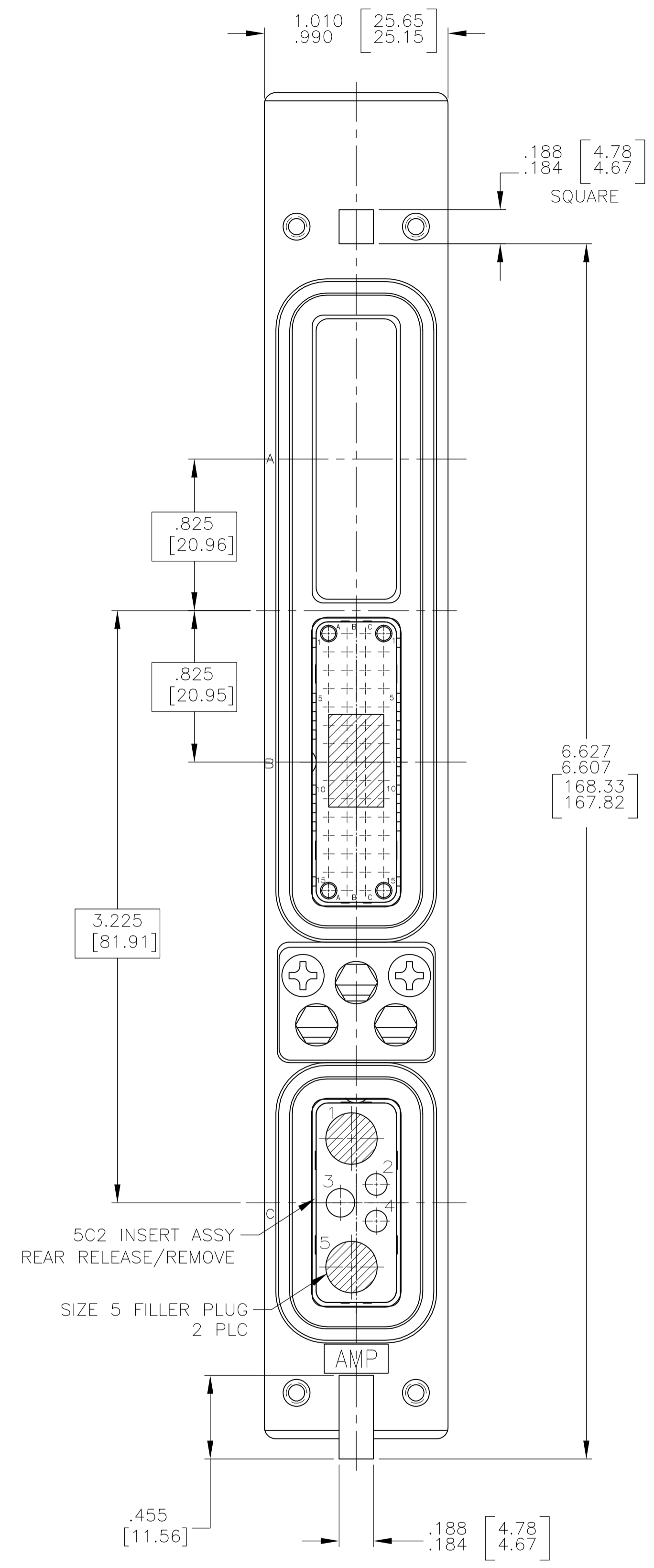
THIS DRAWING IS A CONTROLLED DOCUMENT.

DIMENSIONS: INCHES [mm]	TOLERANCES UNLESS OTHERWISE SPECIFIED:
0 PLC ± -	1 PLC ± -
2 PLC ± -	3 PLC ± .005 [0.13]
4 PLC ± -	ANGLES ± -

MATERIAL SEE TABLE FINISH SEE TABLE

DWN: C.C.THOMAS 1-4-05	Tyco Electronics Corporation Harrisburg, Pa 17105-3608
CHK: K.HOGAN 1-4-05	
APP'D: K.HOGAN 1-4-05	RCPT ASSY, SIZE 1, ARINC 600 (BLANK/60/5C2)
SIZE: A1	CAGE CODE: 00779
DRAWING NO: 1757681	RESTRICTED TO: -
CUSTOMER DRAWING	SCALE: 2:1 SHEET 1 OF 2 REV F

LOC		DIST		REVISIONS			
DF	AO	P	LTR	DESCRIPTION	DATE	DN	APVD
				SEE SHEET #1			



THIS DRAWING IS A CONTROLLED DOCUMENT.		DN C.C.THOMAS 1-4-05	Tyco Electronics Corporation Harrisburg, Pa 17105-3608
DIMENSIONS: INCHES [mm]		CHK K.HOGAN 1-4-05	
TOLERANCES UNLESS OTHERWISE SPECIFIED:		APVD K.HOGAN 1-4-05	RCPT ASSY, SIZE 1, ARINC 600 (BLANK/60/5C2)
0 PLC ± -		NAME	
1 PLC ± -		APPLICATION SPEC	SIZE CAGE CODE DRAWING NO RESTRICTED TO
2 PLC ± -		WEIGHT	A1 00779 C=1757681 -
3 PLC ± .005 [0.13]		CUSTOMER DRAWING	SCALE 2:1 SHEET 2 OF 2 REV F
4 PLC ± -			
ANGLES ± -			
FINISH SEE TABLE			