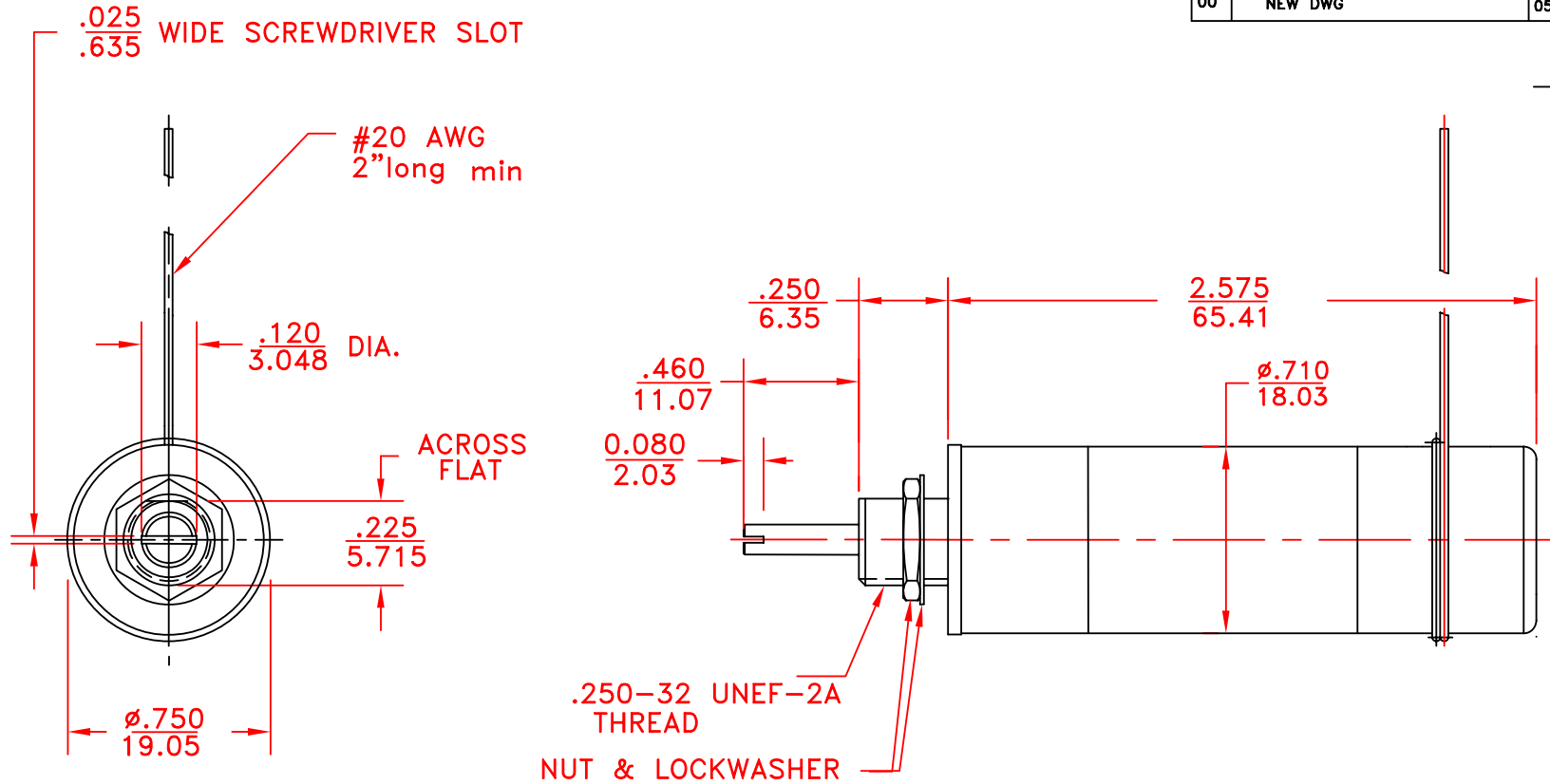


REV	DESCRIPTION	DATE	APP
00	NEW DWG	05/09/12	D.D.



NOTES:

1. CAPACITANCE : $C_{max} \geq 70$ pF, $C_{min} \leq 6.5$ pF.
2. WORKING VOLTAGE: 7,500 VDC.
3. WITHSTANDING VOLTAGE 15,000 VDC.
4. $Q \geq 600$ @ 25MHZ
5. TORQUE: 0.5 TO 5.0 oz-in.
6. OPERATION TEMPERATURE: BELOW 4°K UP TO 125°C
7. DIMENSIONS IN INCHES/MM.
8. ROTATIONAL LIFE: 10,000 TURNS
9. CONSTRUCTION: NON MAGNETIC

TOLERANCES: (EXCEPT AS NOTED)	SPRAGUE GOODMAN ELECTRONICS INC. 1700 SHAMES DRIVE WESTBURY, NY 11590		
DECIMAL: $\pm .002$ in $\pm .051$ mm	MATERIAL:	SCALE: NONE	DRAWN BY: R. LEVIN APPROVED: D. DITLYA
FRACTIONAL: 1/64	TITLE: SGNMNC3708EK	USED FOR:	
ANGULAR: 1°	DATE: 05/09/12	DRAWING NUMBER SGNMNC3708EK	REV. 00