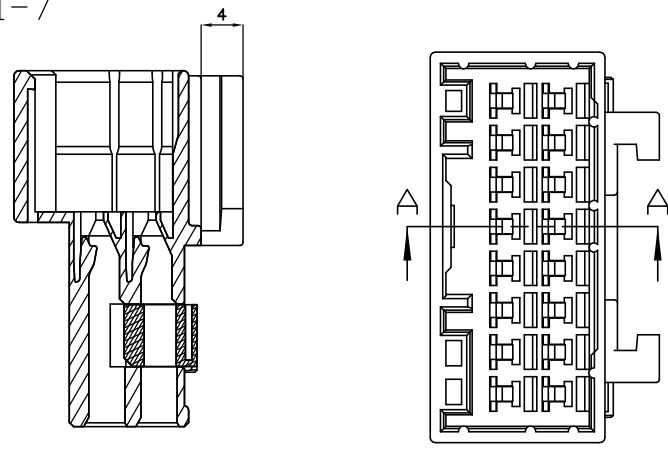
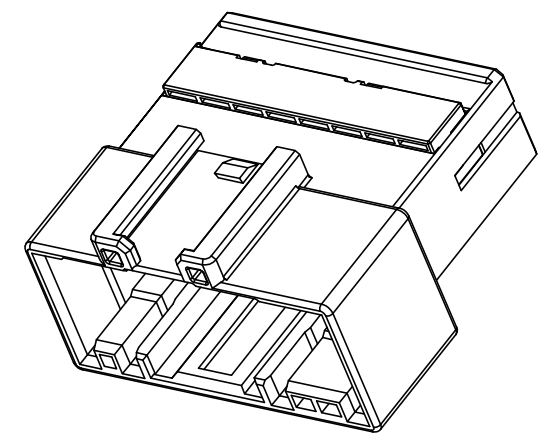
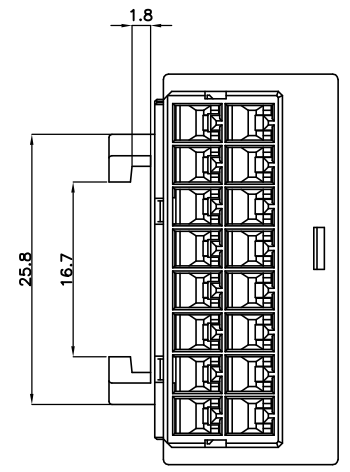
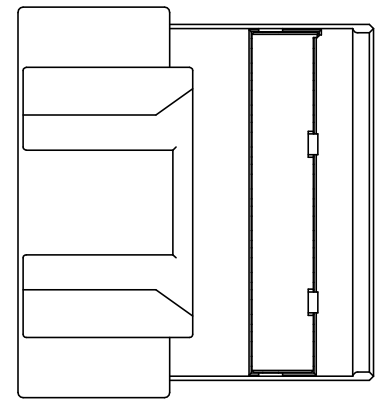


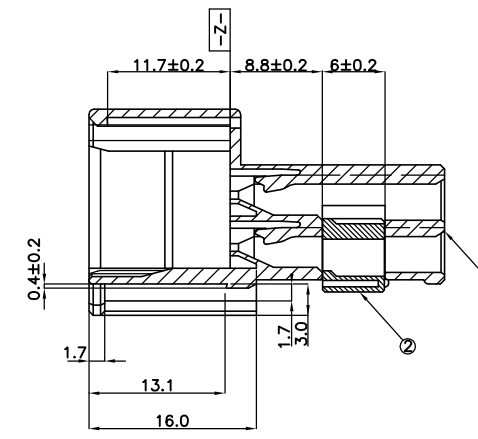
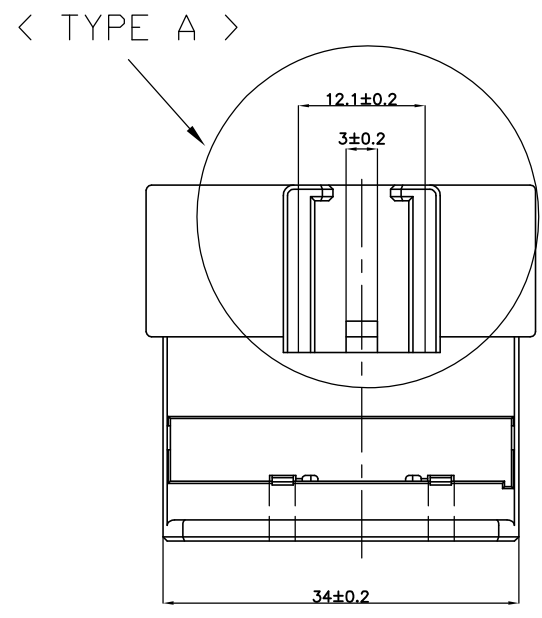
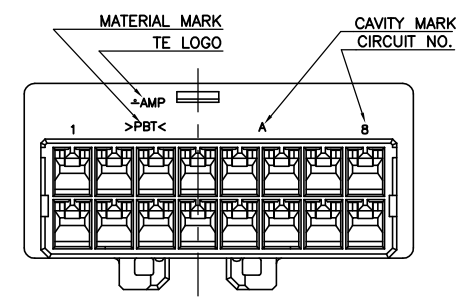
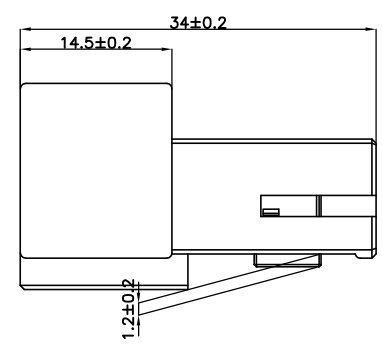
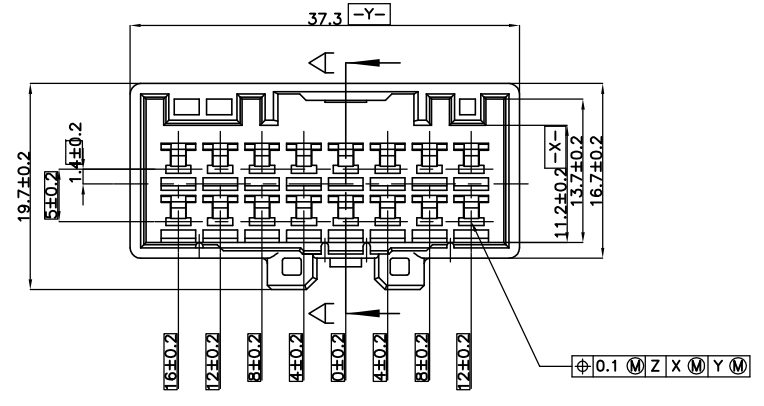
TYPE B (DELPHI CLIP MOUNTING TYPE)
 1-936211-7



SECTION A-A



| LOC | DIST | REVISIONS | | | | | |
|-----|------|-----------|-----|-------------------------|------------|--------|------|
| | | P | LTR | DESCRIPTION | DATE | DWN | APVD |
| | | B | | REVISED (FC00-0014-03) | 28.JAN.'03 | KT LIM | CS |
| | | B1 | | REVISED (ECR-09-005035) | 24.MAR.'09 | KT | HG |
| | | C | | REVISED (ECR-10-007521) | 29.JUN.'10 | KT | HG |



SECTION A-A

- NOTES.
 1. THE MATING HSG. P/N ; 936201
 2. APPLIED CONTACT P/N ;
 090 III TAB. - 368086, 368087, 368088, 1897752

- 주기-
 1. 상대 하우징 P/N. : 936201
 2. 적용단자 P/N. : 090 II TAB.- 368086, 368087, 368088, 1897752

| NO | COLOR | MATERIAL | DESCRIPTION | QTY |
|----|---------|----------|--------------|-----------------|
| 1 | GREEN | PBT | CAP (TYPE B) | 1 |
| | BLUE | PBT | CAP (TYPE A) | 1 |
| | YELLOW | PBT | CAP (TYPE A) | 1 |
| | BROWN | PBT | CAP (TYPE A) | 1 |
| | D/GRAY | PBT | CAP (TYPE A) | 1 |
| | BLACK | PBT | CAP (TYPE A) | 1 |
| | NATURAL | PBT | CAP (TYPE A) | 1 |
| 2 | NATURAL | PBT | DBL | 1 1 1 1 1 1 1 1 |

THIS DRAWING IS A CONTROLLED DOCUMENT FOR TYCO ELECTRONICS CORPORATION
 IT IS SUBJECT TO CHANGE AND THE CONTROLLING ENGINEERING ORGANIZATION
 SHOULD BE CONTACTED FOR THE LATEST REVISION.

| | | | | |
|-----------------------|---|----------------|-----------------------|---|
| DIMENSIONS: MM | TOLERANCES UNLESS OTHERWISE SPECIFIED: 0 <XX<10 ± 0.2 10 <XX<30 ± 0.25 30 <XX ± 0.3 ANGLES ± 3° | DWN KT JUNG | APVD HG CHD | NAME Tyco Electronics Kyungsan, Korea |
| MATERIAL SEE TABLE | FINISH | CHK KT LIM | PRODUCT SPEC - | 090III 16P CAP ASS'Y |
| | | APPL - | APPLICATION SPEC - | SIZE A2 |
| | | WEIGHT - | CUSTOMER DRAWING | CAGE CODE 00779 |
| | | | | DRAWING NO 936211 |
| | | | | RESTRICTED TO - |
| | | | | SCALE 2/1 |
| | | | | SHEET 1 |
| | | | | OF 1 |
| | | | | REV C |