

NO C-438000 -1

THIS INFORMATION IS CONFIDENTIAL AND IS DISCLOSED TO YOU ON CONDITION THAT NO FURTHER DISCLOSURE IS MADE BY YOU TO OTHER THAN AMP PERSONNEL WITHOUT WRITTEN AUTHORIZATION FROM AMP-HOLLAND B.V.

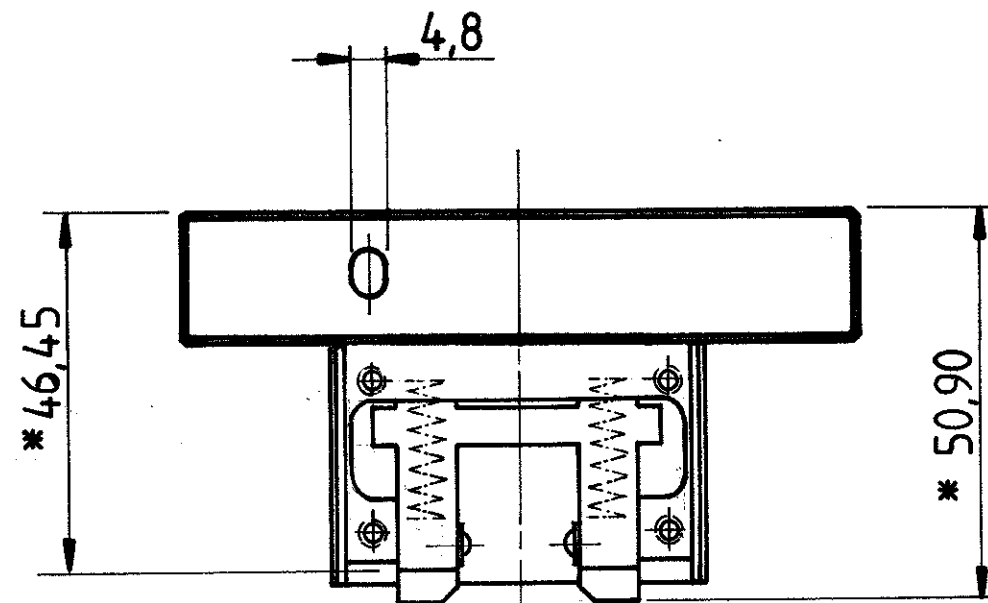
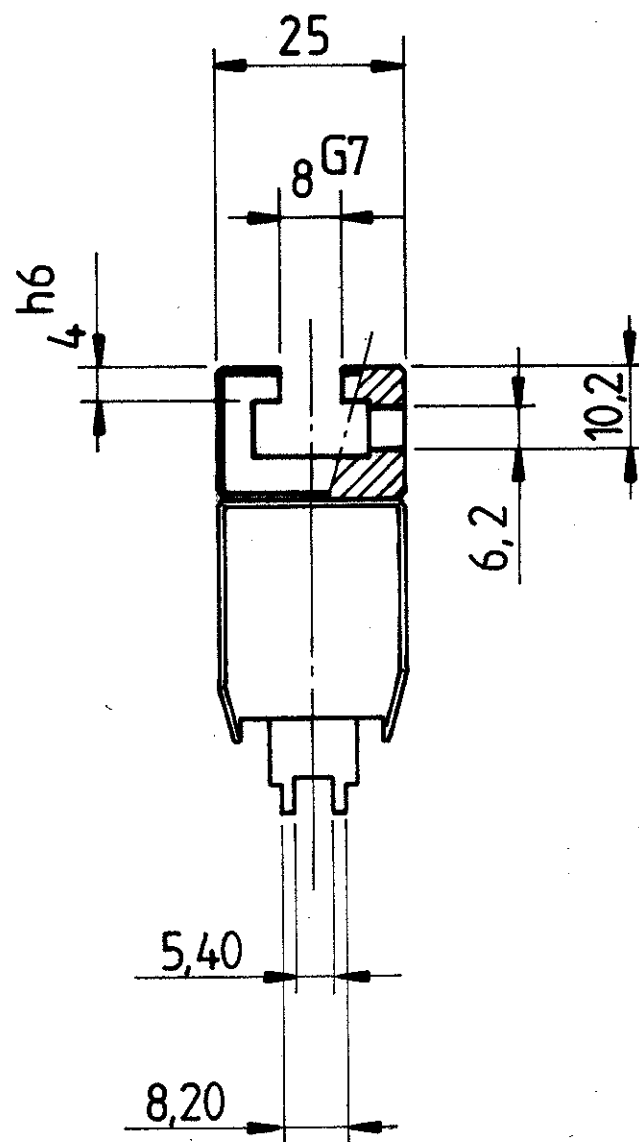
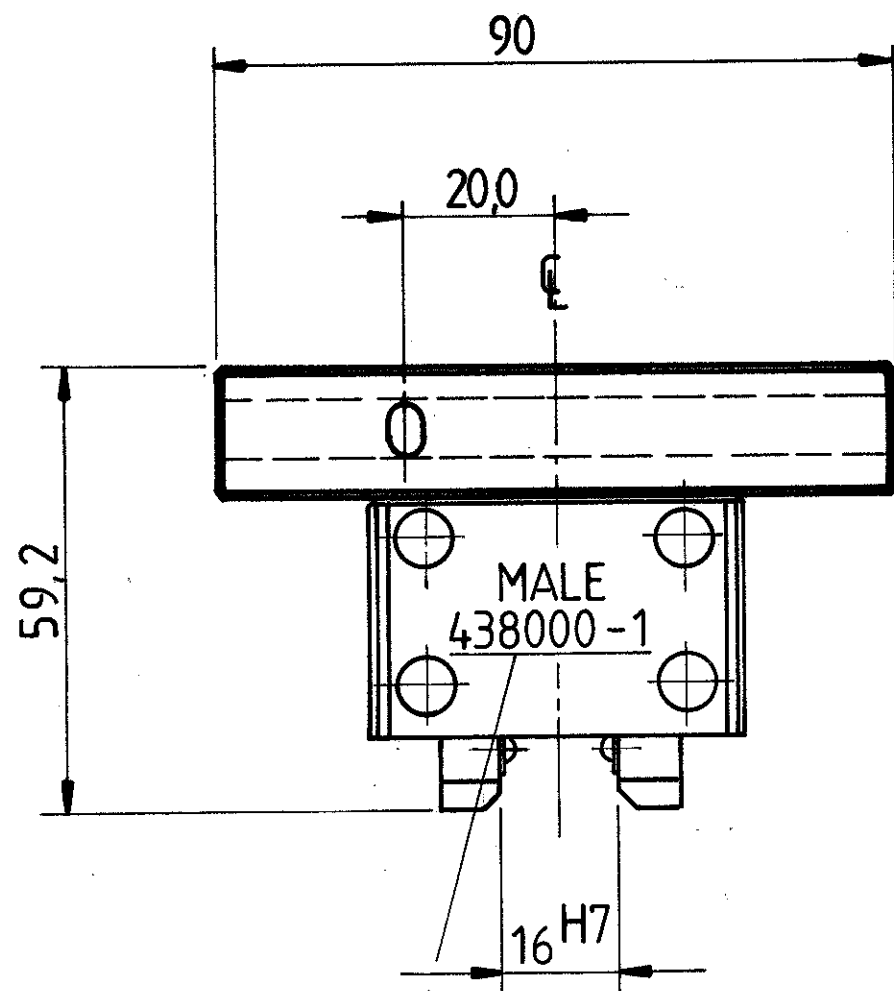
DISTR

SHOW PART NR & VENDOR IN AREA MARKED X  
(INCLUDE DASH NR & REVISION LTR)

NOT YET RELEASED

USED ON

\* TOOLING SHUTHEIGHT



FRONT VIEW  
WITHOUT  
COVERPLATE

ASSEMBLY  
NUMBER

ALL DIMENSIONS FOR REFERENCE ONLY

QTY REQD PER ASSY		PARTS LIST	
TOLERANCES UNLESS OTHERWISE SPECIFIED. REMOVE BURRS. ANGLES ± 0°30'		MATERIAL _____ HEAT TREAT _____ FINISH NICK.PLATED	
DIMENSIONS IN		DR. C.V.ZOELEN First used	
INCHES		CHK. V.Z. 19/12-95	
MILLIMETRES		AMP   AMP-HOLLAND B.V. Hertogenbosch, The Netherlands	
-00 ± 0.02		NAME ADAPTOR ASS'Y - MALE CONN. INSERTS	
-000 ± 0.005		SCALE _____ SHEET OF _____ LOC H SIZE A3 NO C-438000 -1 REV A∞	
-0000 ± 0.0005			

LTR	REVISION RECORD	ECN	DATE	LTR	REVISION RECORD	ECN	DATE
8				6			
7				5			
				4			
				3			
				2			
				1			