

MICRO SWITCH

FREEPORT ILLINOIS, U.S.A
A DIVISION OF HONEYWELL
FED. MFG. CODE 91929

SWITCH-BASIC

CATALOG LISTING

YZ-RX58-D5

YZ-RX58-D5

M

DRAWING NUMBER

3

ISSUE

REPLACES X85318-YZ

RELEASE NO. PR-15024

CHECK

REVISIONS

CO	77592
DAW	15 AUG 94
A	0001191
JLH	20AUG03

CHECK

28 AUG 86

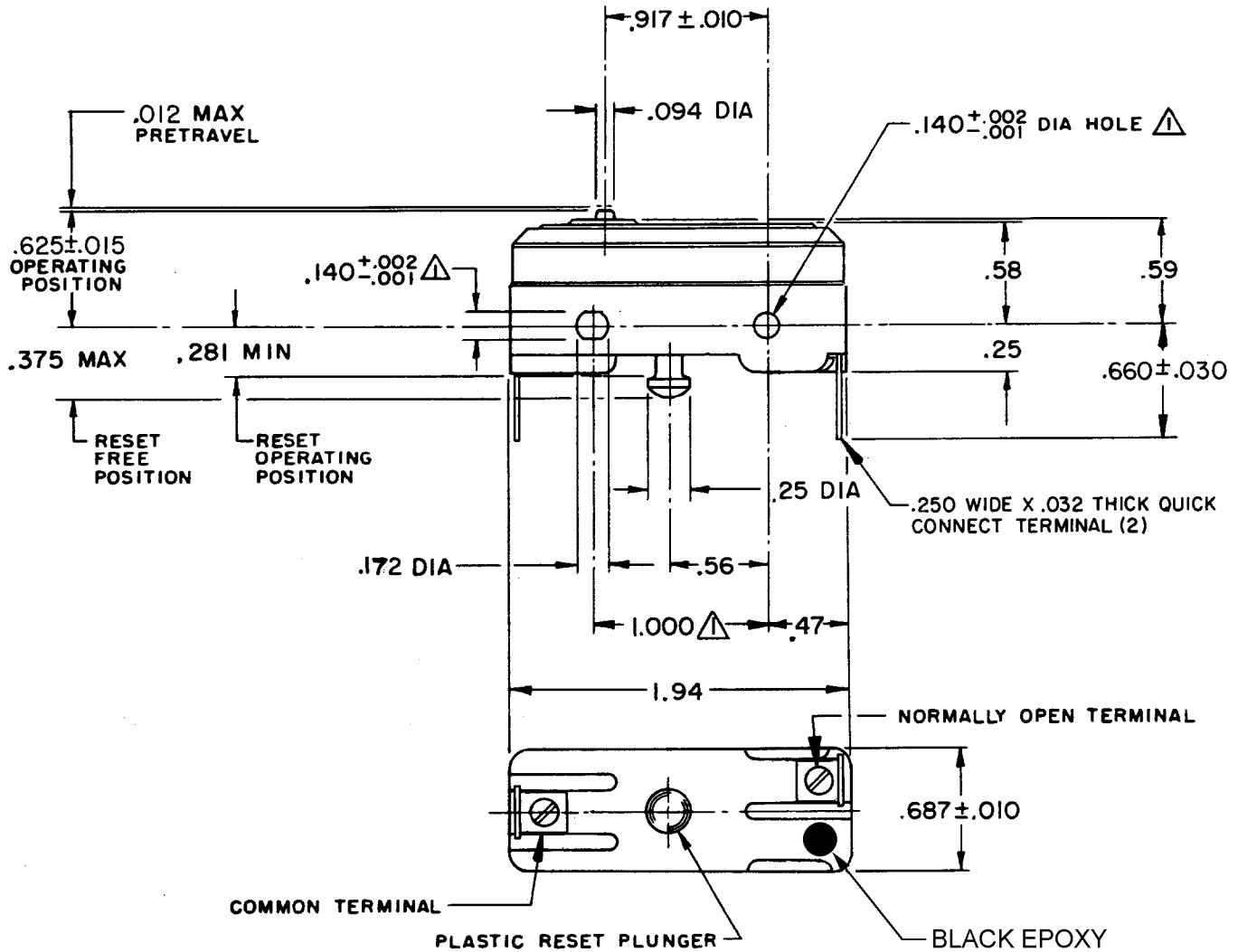
CHECK KAG

CHECK

28 AUG 86

TSK

RASTER



NOTE -
▲ - MOUNTING HOLES WILL ACCEPT PINS OR SCREWS OF .139 MAX DIA ON 1.000±.002 CENTERS

THIS DRAWING COVERS A PROPRIETARY ITEM AND IS THE PROPERTY OF MICRO SWITCH, A DIVISION OF HONEYWELL. THIS DRAWING IS NOT TO BE COPIED OR USED WITHOUT THE APPROVAL OF MICRO SWITCH.

THIRD ANGLE PROJECTION

CHARACTERISTICS	
OPERATING FORCE	4 OZ MAX
OVERTRAVEL	.005 MIN
RESET CHARACTERISTICS	
OPERATING FORCE	2 - 10 OZ
OVERTRAVEL	.015 MIN

ELECTRICAL DATA	
CONTACT ARRANGEMENT SINGLE POLE NORMALLY OPEN MAINTAINED CONTACT	
L67	
15A 125, 250 OR 480 VAC 1/4 HP 125 VAC, 1/2 HP 250 VAC 1/2A 125 VDC, 1/4A 250 VDC	

SCALE	FULL												
DO NOT SCALE PRINT													
TOLERANCES													
APPLY TO DESIGN UNITS. CONVERSIONS ARE ONLY FOR REFERENCE. UNLESS NOTED, TOLERANCES ARE ±													
DIM. mm	TOL. mm/in												
NO PLACES ONE PLACE TWO PLACES THREE PLACES ANGLES	<table border="1"> <tr> <td>X</td> <td>1/.04</td> <td>X X</td> <td>0.8/.03</td> </tr> <tr> <td>X X</td> <td>0.4/.018</td> <td>X X X</td> <td>0.38/.015</td> </tr> <tr> <td>X X X</td> <td>0.15/.008</td> <td>X X X X</td> <td>0.13/.005</td> </tr> </table>	X	1/.04	X X	0.8/.03	X X	0.4/.018	X X X	0.38/.015	X X X	0.15/.008	X X X X	0.13/.005
X	1/.04	X X	0.8/.03										
X X	0.4/.018	X X X	0.38/.015										
X X X	0.15/.008	X X X X	0.13/.005										
DESIGN UNITS	<input type="checkbox"/> SI METRIC <input checked="" type="checkbox"/> US CUSTOMARY												
WEIGHT													