

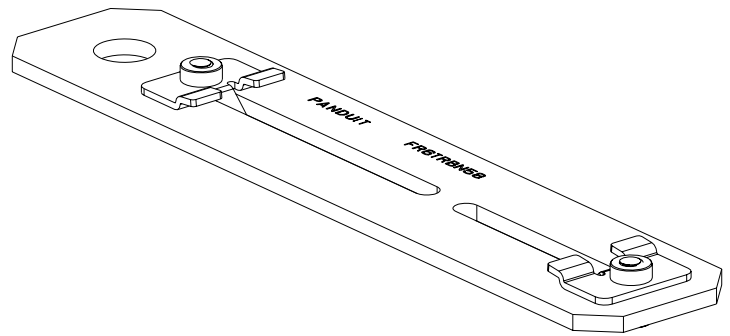
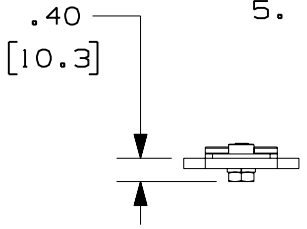
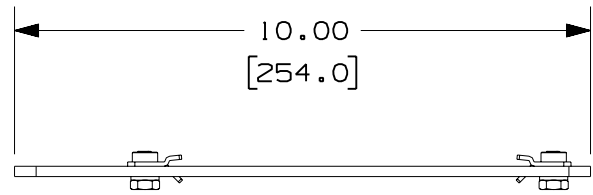
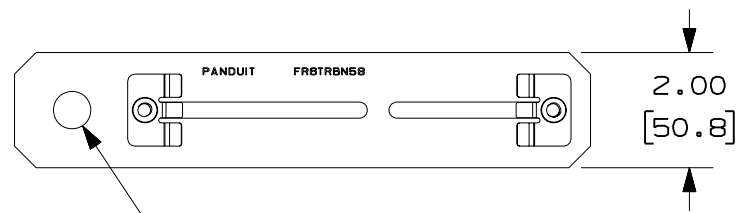


|                         |                             |
|-------------------------|-----------------------------|
| PANDUIT<br>PART NUMBER  | WEIGHT                      |
| FR6TRBN58<br>FR6TRBN58M | 1.20 LB/EACH<br>(543g/EACH) |



NOTES:

- SEE CURRENT CATALOG FOR ADDITIONAL PART SUFFIXES TO INDICATE PACKAGE QUANTITY.
- THE FIBERRUNNER 4x4 AND 6x4 QUIKLOCK NEW THREADED ROD BRACKET IS USED TO SUPPORT THE FIBERRUNNER 4x4 AND/OR 6x4 CABLE ROUTING SYSTEMS FROM A SECTION OF NEW 5/8" (M16) THREADED ROD (NOT INCLUDED).
- THE FIBERRUNNER 4x4 AND 6x4 QUIKLOCK NEW THREADED ROD BRACKET INCLUDES:  
ONE (1) BRACKET ASSEMBLY,  
TWO (2) 5/8 HELICAL SPRING LOCKWASHERS,  
TWO (2) 5/8-11 HEAVY HEX NUTS (FR6TRBN58 ONLY),  
TWO (2) M16x2 HEX NUTS (FR6TRBN58M ONLY)
- FINISH COLOR: BLACK (EXCEPT HARDWARE)
- DIMENSIONS IN PARENTHESES ARE IN METRIC.



ENG. REF.: D37585CZ\_DC\_FR6TRBN58\_01.prt

CAD FILENAME/LAYERS: FR6TRBN58.pdf

| REV | DATE   | BY  | CHK | DESCRIPTION   | ECN      | R  | CUST | SUP | GMBH |
|-----|--------|-----|-----|---|----------|----|------|-----|------|
| -   | -----  | --- | --- | H. REMOVED ALL REFERENCES TO FR6TRBN12M             | -----    | -- | --   |     |      |
| -   | -----  | --- | --- | G. REVISED TO INCLUDE FR6TRBN58                     | -----    | -- | --   |     |      |
| -   | -----  | --- | --- | F. REVISED PART WEIGHT<br>E. REVISED CHART          | -----    | -- | --   |     |      |
| -   | -----  | --- | --- | D. REVISED GENERAL NOTES<br>C. REVISED CAD FILENAME | -----    | -- | --   |     |      |
| 1   | 8-1-06 | DTP | RN  | B. REVISED DRAWING TITLE<br>A. REVISED AND REDRAWN  | 37585-71 | RN | RN   |     |      |

**PANDUIT** CORP TINLEY PARK, ILLINOIS

FIBERRUNNER 4x4 AND 6x4 QUIKLOCK NEW THREADED ROD BRACKET - 5/8" (M16) THREADED ROD (FR6TRBN58, FR6TRBN58M)

CUSTOMER DRAWING

UNLESS OTHERWISE SPECIFIED, DIMENSIONAL TOLERANCES ARE:  
(.X) ± (.XXX) ±  
(.XX) ± .03 (.8) ANGLES ±

UNLESS OTHERWISE SPECIFIED, ALL DIMENSIONS ARE GIVEN IN INCHES, THIRD ANGLE PROJECTION.

DRAWN BY: JHNU  
DATE: 11-4-00  
CHK'D: HIW

MAT'L: STEEL

SCALE: NONE

DRAWING NO.: 37585-71  
DWG SIZE: A