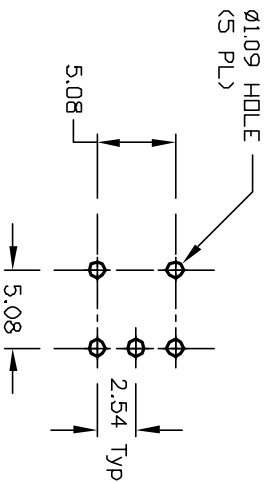
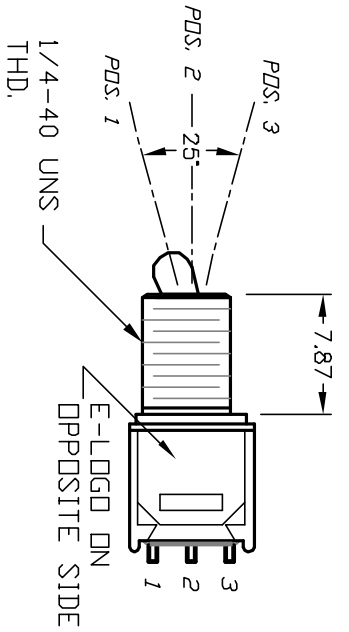
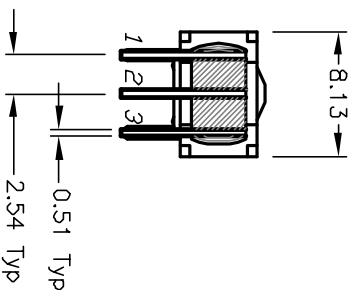
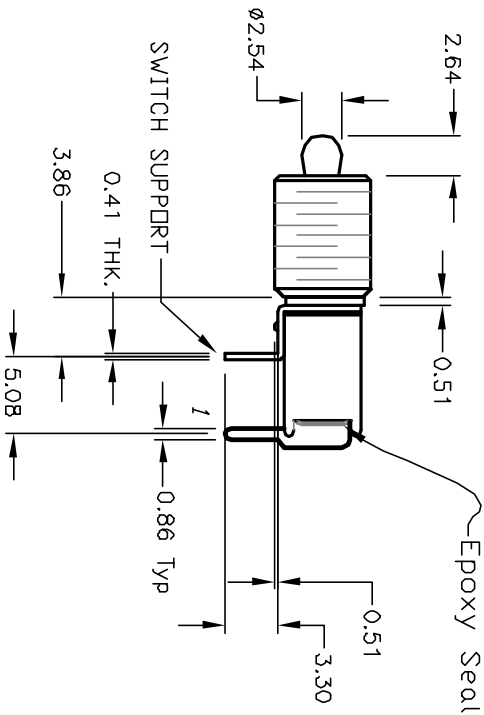
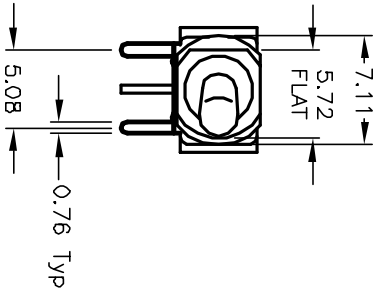


CIRCUIT: SPDT

SWITCH FUNCTION		
POS. 1	POS. 2	POS. 3
DN	NONE	DN
2-3	DPEN	2-1



RECOMMENDED P.C.B LAYOUT



NOTES:

1. ALL DIMENSIONS IN MM
2. GENERAL TOLERANCE: X.X=±0.4 X.XX=±0.25
3. TERM. NOS. FOR REF. ONLY
4. CONTACT RATING: 0.4VA max. @20VAC or 28VDCmax.
5. FIXED TERMINAL & MOVING CONTACT: Copper Alloy w/GOLD plate over Nickel plate.
6. ELECTRIC LIFE: 30,000 make-and-break cycles at full load.
7. INSULATION RESISTANCE: 1,000 M ohm min.
8. DIELECTRIC STRENGTH: 1,000 V RMS @sea level.
9. OPERATING TEMP.: -30°C to 85°C

E-SWITCH®

REV. A		12208		RELEASED FOR PRODUCTION		6/5/02		CJB	
REV. A		ECN No.		DESCRIPTION		DATE		CHKD	
TITLE: 200 MSP-1 T2 B5 M6 R E (GOLD CONTACTS) SCALE: 2:1 DATE: 6/5/02 DR: CJB DWG: T211256 REV: A									
THE INFORMATION CONTAINED IN THIS DOCUMENT IS PROPRIETARY TO E-SWITCH AND IS NOT TO BE COPIED OR TRANSMITTED									