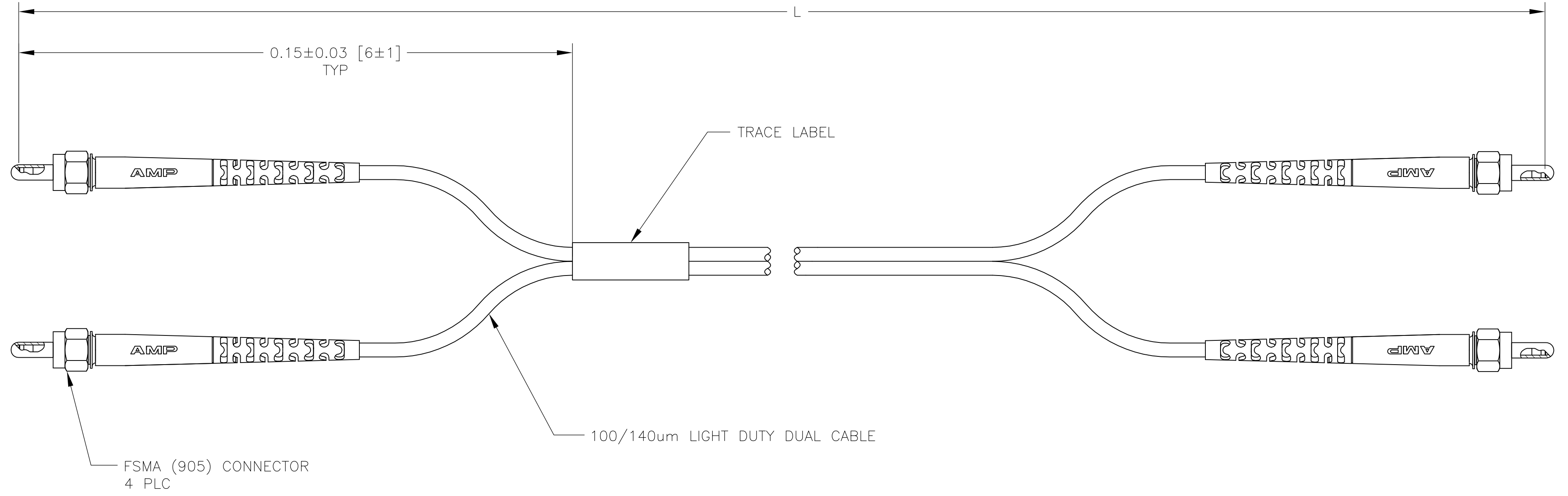


THIS DRAWING IS UNPUBLISHED. RELEASED FOR PUBLICATION
 © COPYRIGHT BY TYCO ELECTRONICS CORPORATION. ALL RIGHTS RESERVED.

LOC	DIST	REVISIONS					
		P	LTR	DESCRIPTION	DATE	DWN	APVD
CE	16		A	RELEASE PER NPR	06 DEC 05	CSV	JD
			A1	REVISED PER ECO-09-024927	09NOV09	KK	AEG



- 1 MAXIMUM INSERTION LOSS IS 2.0dB PLUS CABLE ATTENUATION OF 3.0dB/km AT 1300nm. (SEE TABLE)
- 2. PRODUCT AND PROCESSING MUST MEET REQUIREMENTS OF TYCO ELECTRONICS STANDARD 230-702
- 3 OBSOLETE PARTS: OBSOLETE CIS STREAMLINING PER D.RENAUD/D.SINISI

	MAX IL (dB)	L METERS [INCHES]	PART NUMBER
OBSOLETE 3	2.53	175.00±1.75 [6890±69]	1-5502153-1
	2.45	150.00±1.50 [5906±59]	1-5502153-0
	2.41	137.16±1.00 [5400±54]	5502153-9
	2.24	80.00±0.08 [3150±31]	5502153-8
	2.09	30.48±0.30 [1200±12]	5502153-7
	2.09	30.00±0.30 [1181±12]	5502153-6
	2.03	10.00±0.15 [394±6]	5502153-5
	2.01	6.00±0.08 [236±3]	5502153-4
	2.01	5.00±0.08 [197±3]	5502153-3
2.00	3.00±0.05 [118±2]	5502153-2	
3 OBSOLETE	2.00	1.00±0.05 [39±2]	5502153-1

THIS DRAWING IS A CONTROLLED DOCUMENT.		DWN C.S.VASU 06 DEC 05	Tyco Electronics Corporation Harrisburg Pa, 17105-3608	
DIMENSIONS: METERS [INCHES]		CHK J.DUNCAN 06 DEC 05	NAME CABLE ASSEMBLY, FIBER OPTIC, 100/140µm DUAL FSMA (905), OPTIMATE	
TOLERANCES UNLESS OTHERWISE SPECIFIED: 0 PLC ± - 1 PLC ± - 2 PLC ± - 3 PLC ± - 4 PLC ± - ANGLES ± - FINISH -		APVD J.DUNCAN 06 DEC 05	DRAWING NO A2 00779 C=5502153	
MATERIAL -		PRODUCT SPEC -	RESTRICTED TO -	SCALE NTS SHEET 1 OF 1 REV A1
		APPLICATION SPEC -	CUSTOMER DRAWING	
		WEIGHT -		