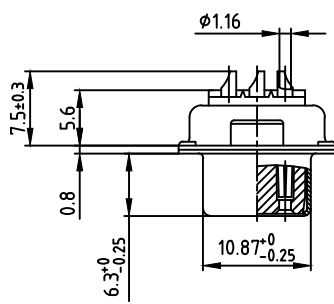
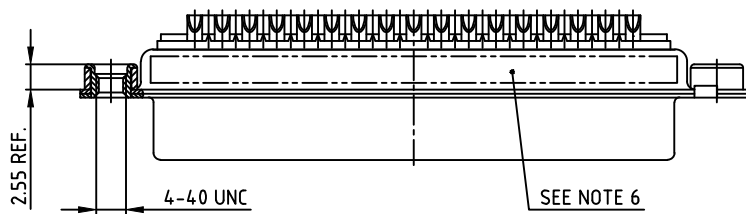
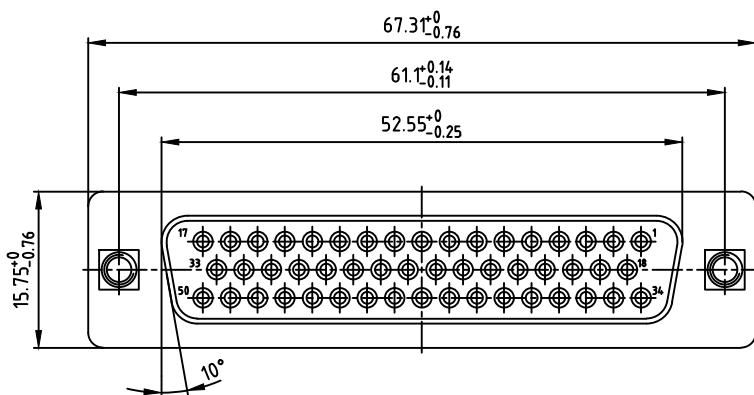


used for: D-SUB



- NOTES:
- METALSHELLS: STEEL; min. 320µin TIN
  - INSULATORS: PBT GF UL 94 V-0, BLACK
  - CONTACTS: COPPER ALLOY  
PLATING: GOLD FLASH over NICKEL  
SOLDER CUP ACCEPTS CABLE AWG 20
  - THREADED INSERT: COPPER ALLOY; min. 200µin TIN over 80µin NICKEL
  - MAXIMUM TORQUE VALUE FOR THREAD: 6in LBS
  - CONNECTOR IS PART MARKED: 164A10259X CONEC ABC

Directive 2002/95/EC RoHS compliant

APPROVAL # FREIGABE # DEBLOCAGE # AUTORIZACION # APPROVAL	
CUSTOMER APPROVAL DATE:	
NAME:	TITLE:
COMPANY NAME:	
APPROVAL # FREIGABE # DEBLOCAGE # AUTORIZACION # APPROVAL	

THIS DRAWING MAY NOT BE COPIED OR REPRODUCED IN ANY WAY, AND MAY NOT BE PASSED ON TO A THIRD PARTY WITHOUT WRITTEN PERMISSION. OWNERSHIP AND COPYRIGHT OF CONEC GmbH DO NOT ALTER CAD DRAWING BY HAND

rev.	description	date	name
a	Origin		

tolerance		 dim. in mm
2006	date	
drawn	08.02.	Lehmenkühler
appd.	08.02.	Mickenbecker
norm	DIN 41652	
d-old		

scale:	2:1	
material:	SEE NOTES	
title:	<b>D-SUB FEMALE</b> 50pos. SOLDER CUP with threaded insert	
dwg no:	AutoCAD 2004	DIN-A
	16K1A1741	3
		sh:1/1
part no:	164A10259X	

