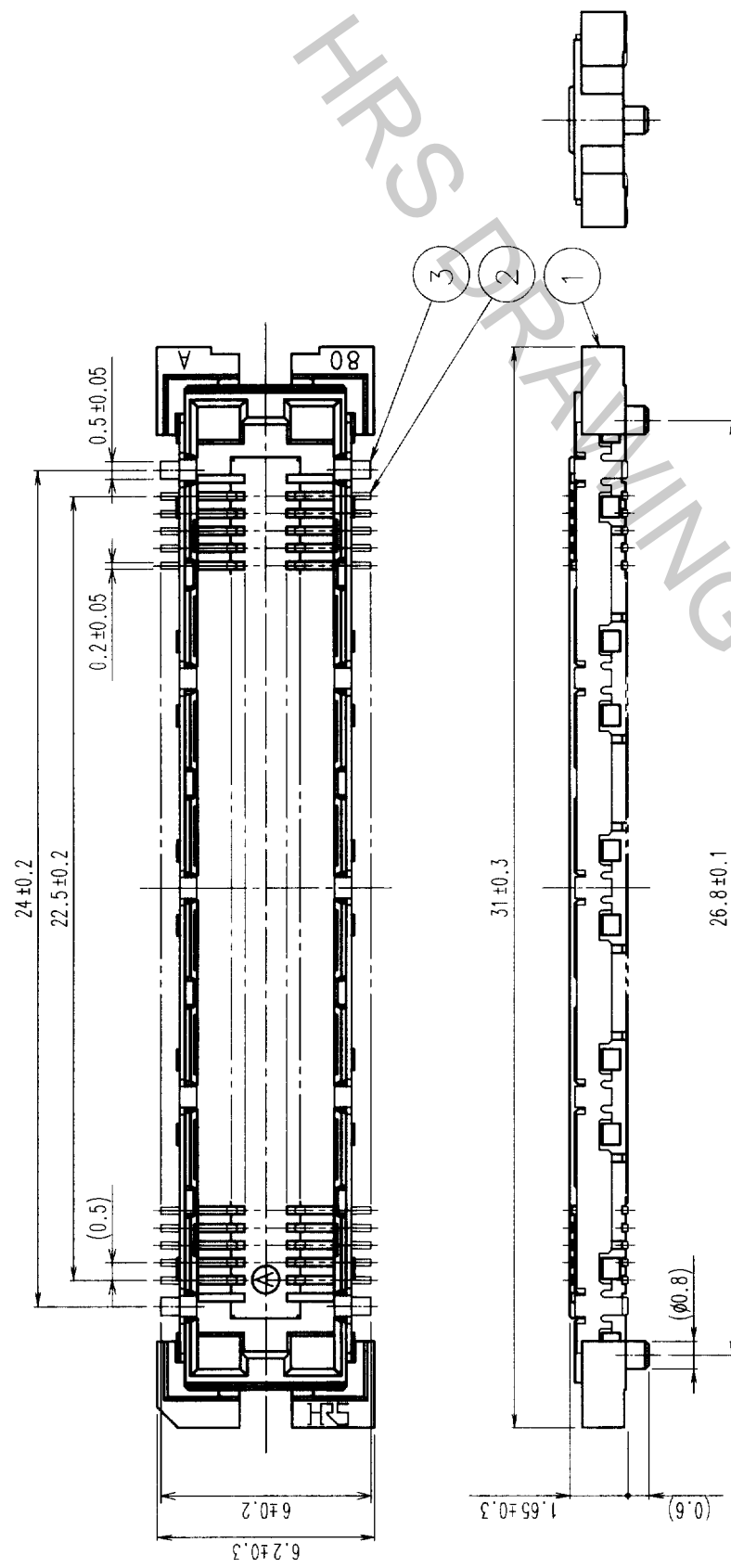


COUNT DESCRIPTION OF REVISIONS	BY	CHKD	DATE	COUNT DESCRIPTION OF REVISIONS	BY	CHKD	DATE



RECOMMENDED LAND PATTERN DIMENSION OF PCB

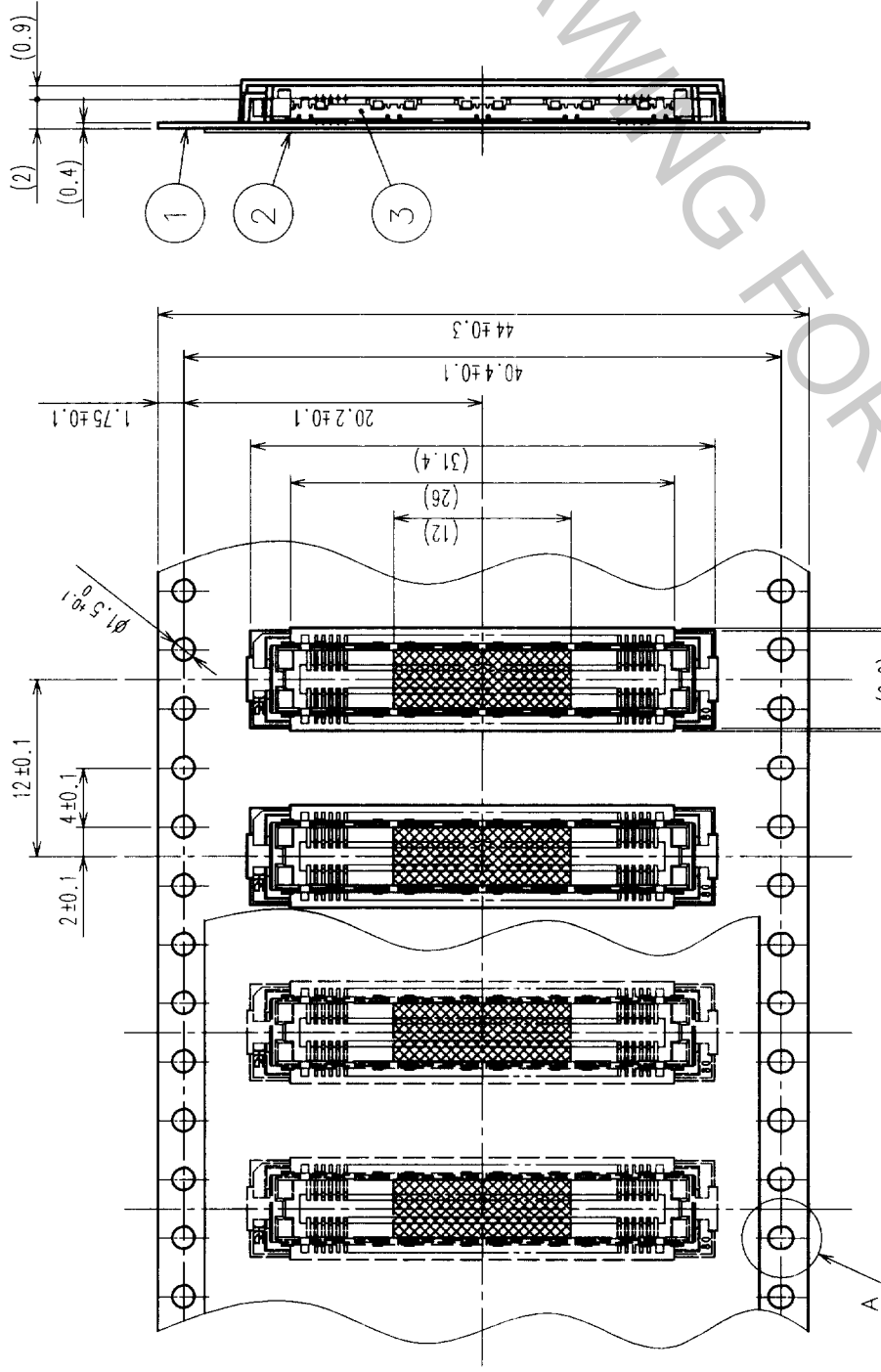
- NOTES
- SMT LEAD-COPLANARITY: 0.1 MAX.
 - THIS PRODUCT HAS NO POLARITY TO PATTERN FOR MOUNTING.
 - MAKE SURE WIDTH OF PATTERN IS WITHIN THAT OF LAND, OR LEAD MAY TOUCH PATTERN. (THIS APPLIES TO HATCHED AREA.)
 - TO BE EMBOSSED CARRIER TAPED AS SPECIFIED IN SHEET 2.

2	PHOSPHOR BRONZE	CONTACT AREA: GOLD (0.1μm) OVER NICKEL LEAD: GOLD FLASH OVER NICKEL
1	LCP	BEIGE UL94V-0
NO.	MATERIAL	FINISH, REMARKS
CL	CL	
		DRAWN
		DESIGNED
		CHECKED
		APPROVED
		FINISH, REMARKS
		TIN PLATED
		REMARKS
		RELEASED

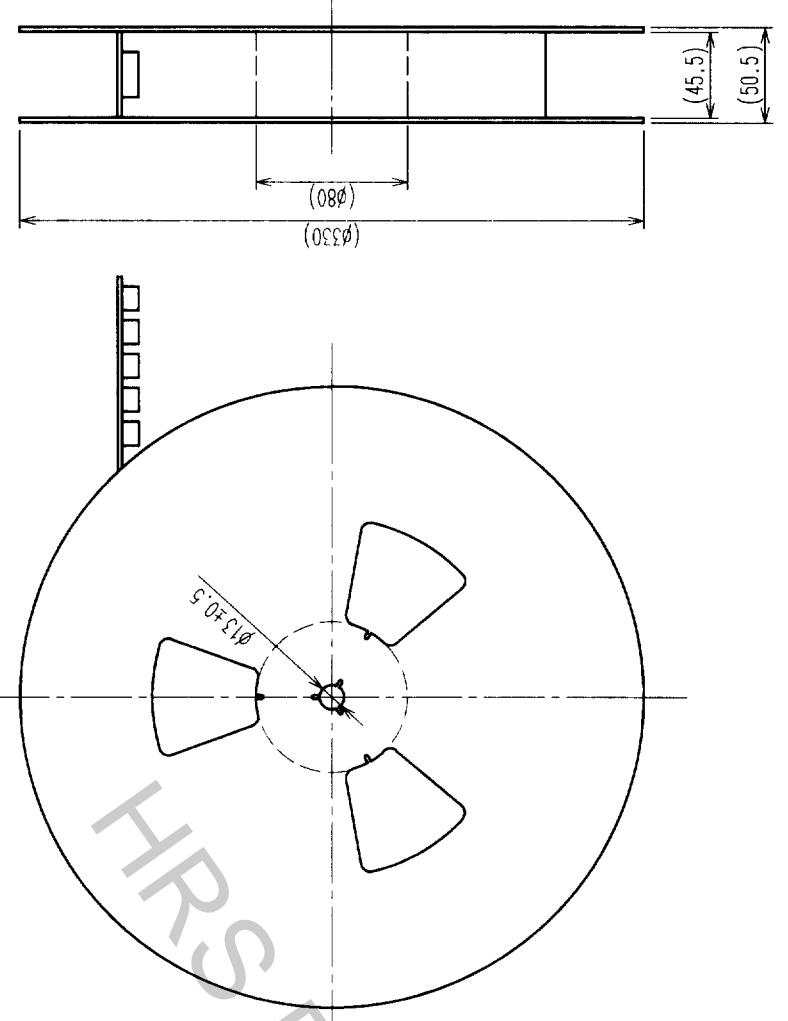
DRAWING NO.		PART NO.
EDC3-152117-02		FX11LA-92S-SV (22)
SCALE	CODE NO.	
5 : 1	CL573-0143-9-22	
UNITS	MM	

TO	
PCK	

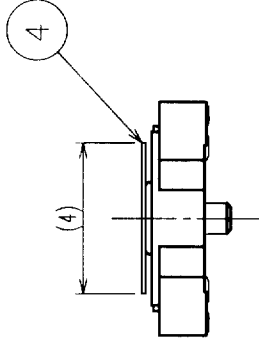
COUNT	DESCRIPTION OF REVISIONS	BY	CHKD	DATE	COUNT	DESCRIPTION OF REVISIONS	BY	CHKD	DATE
△									
△									
△									



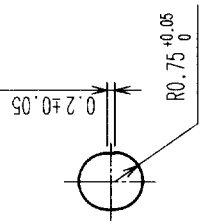
REELED DIMENSION (Free)



DETAIL FOR TAPE PICKUP (5:1)



A (5:1)



- NOTES 1 REEL: 1000 CONNECTORS.
- 2 MINIMUM 10 COMPARTMENTS FROM BOTH REEL ENDS REMAIN EMPTY.
- 3 THIS PRODUCT HAS NO POLARITY TO TAPE AND REEL PACKAGING.

2	PET	TOP COVER TAPE	4	POLYIMIDE	(TAP FOR VACUUM PICKUP)
1	PS	EMBOSSED CARRIER TAPE	3	(CONNECTOR)	
NO.	MATERIAL	FINISH, REMARKS	NO.	MATERIAL	FINISH, REMARKS
CODE NO. (OLD) CL					
DRAWING FOR PACKING					
DRAWN M. Sakuma 199.10.27		DESIGNED M. Sakuma 199.10.27		CHECKED M. Sakuma 199.10.28	
APPROVED G. Johnson		APPROVED G. Johnson		RELEASED	
DRAWING NO. EDC3-152117-02		PART NO. FX11LA-92S-SV(22)			
SCALE 2 : 1		CODE NO. CL573-0143-9-22			
UNITS mm		HIROSE ELECTRIC CO., LTD			

TO	
PCK	