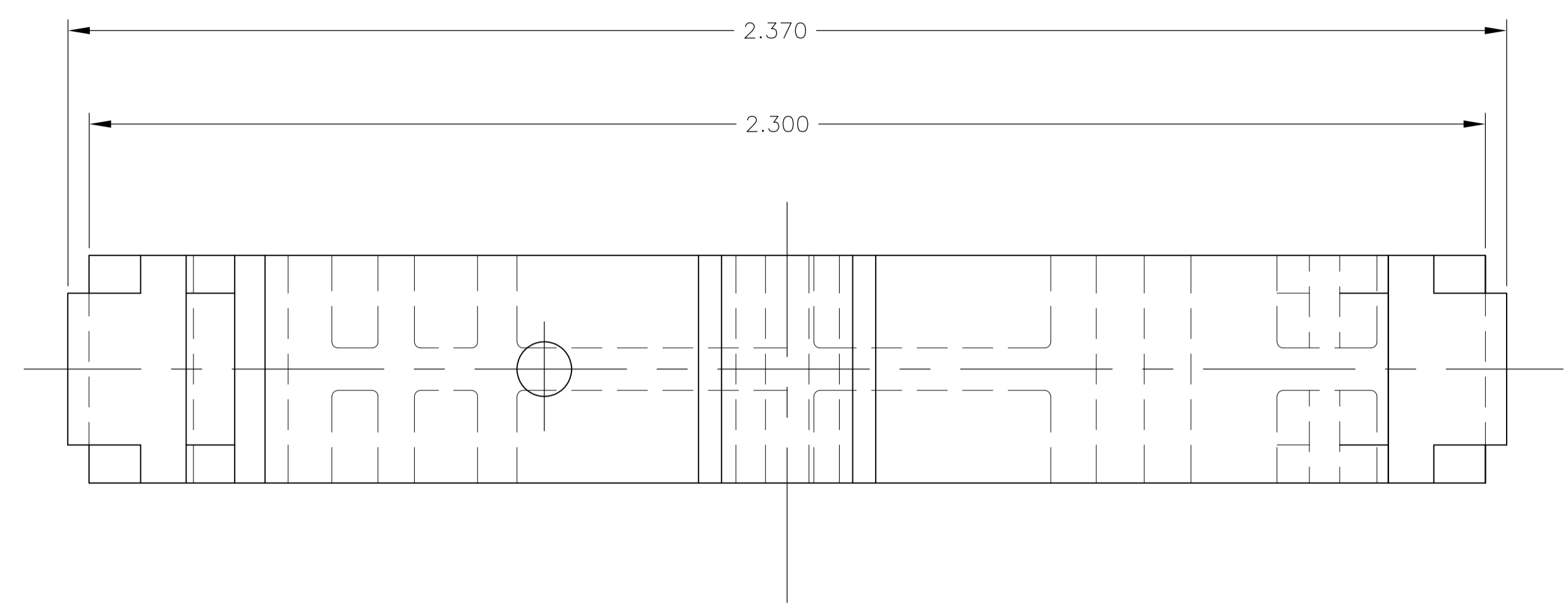
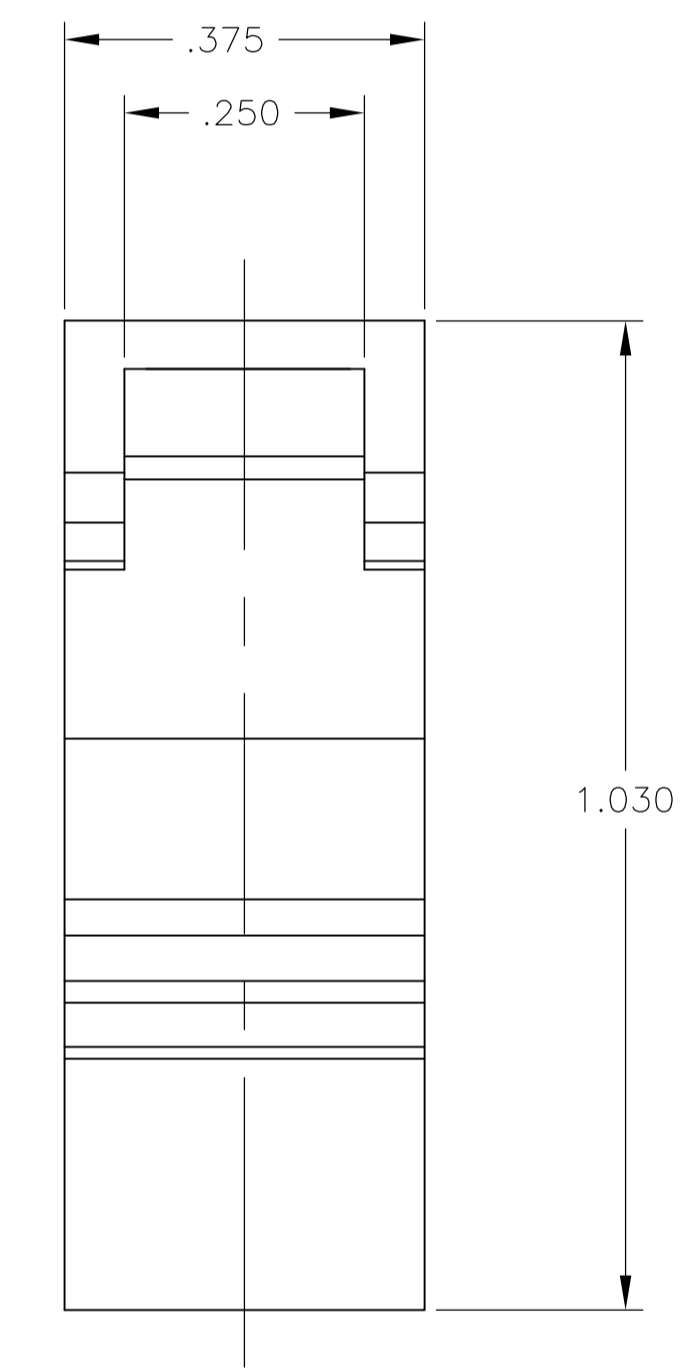
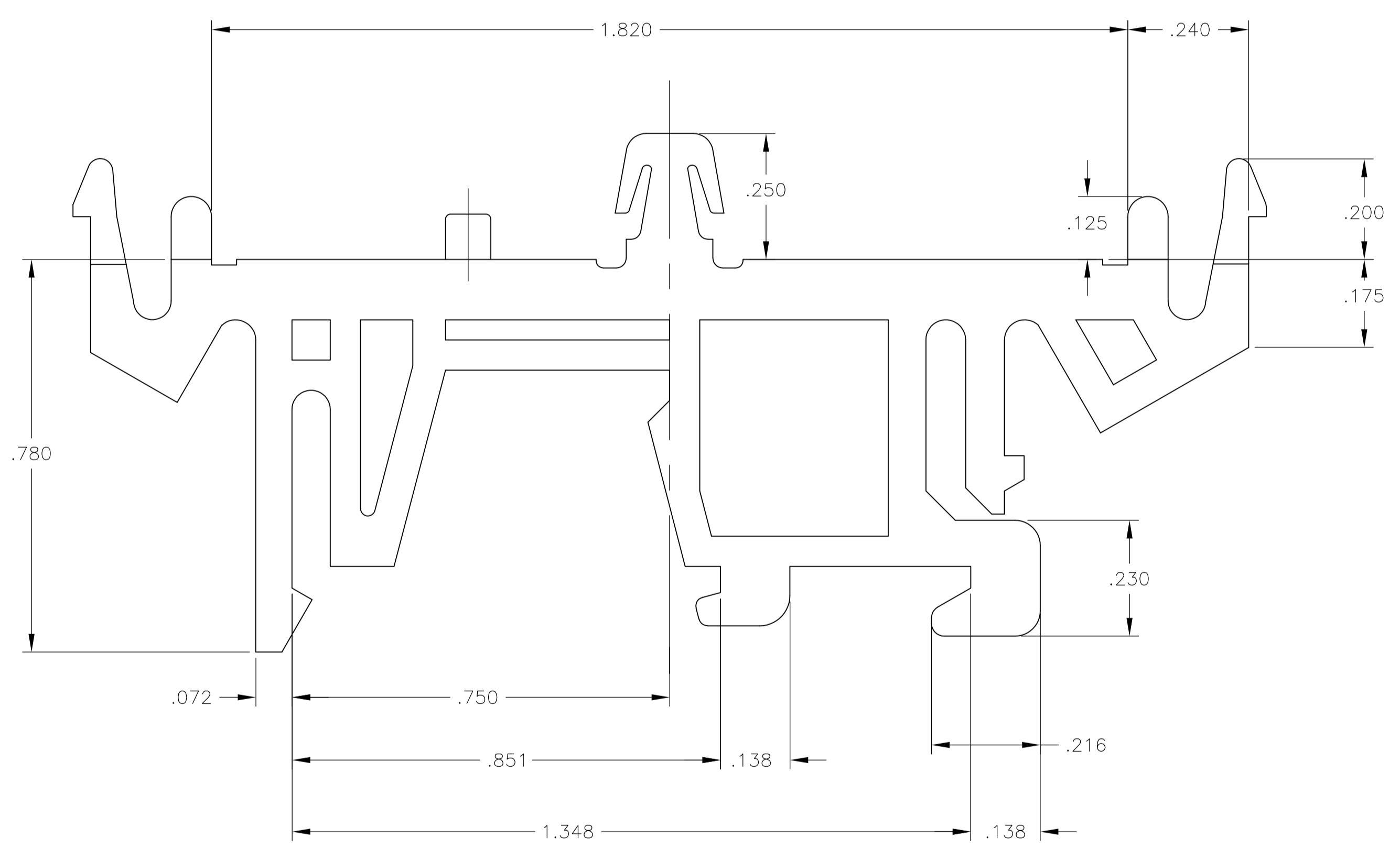


LOC		DIST		REVISIONS			
P	LTR	DESCRIPTION	DATE	DMN	APVD		
A		REVISED PER ECO-08-029264	24NOV08	HMR	SM		



1 MATERIAL: UL94V-0 POLYCARBONATE
 GE LEXAN 940-MED, STANDARD GRAY CHROMA±82088
 MAXIMUM ALLOWABLE REGRIND - 25 PERCENT



THIS DRAWING IS A CONTROLLED DOCUMENT.		DIN	24NOV2008	Tyco Electronics Corporation Harrisburg, PA 17105-3608	
DIMENSIONS: INCHES		CHK	24NOV2008	NAME	
TOLERANCES UNLESS OTHERWISE SPECIFIED:		APVD	24NOV2008	TKAD=TRK ADPT .640054900	
0 PL	± .005	PRODUCT SPEC		SIZE	
1 PL	± .005	APPLICATION SPEC		CAGE CODE	
2 PL	± .005	WEIGHT		DRAWING NO	
3 PL	± .005	CUSTOMER DRAWING		RESTRICTED TO	
4 PL	± .005	SCALE		SHEET	
ANGLES	± .005	1:5		1 OF 1	
FINISH	-	REV		A	