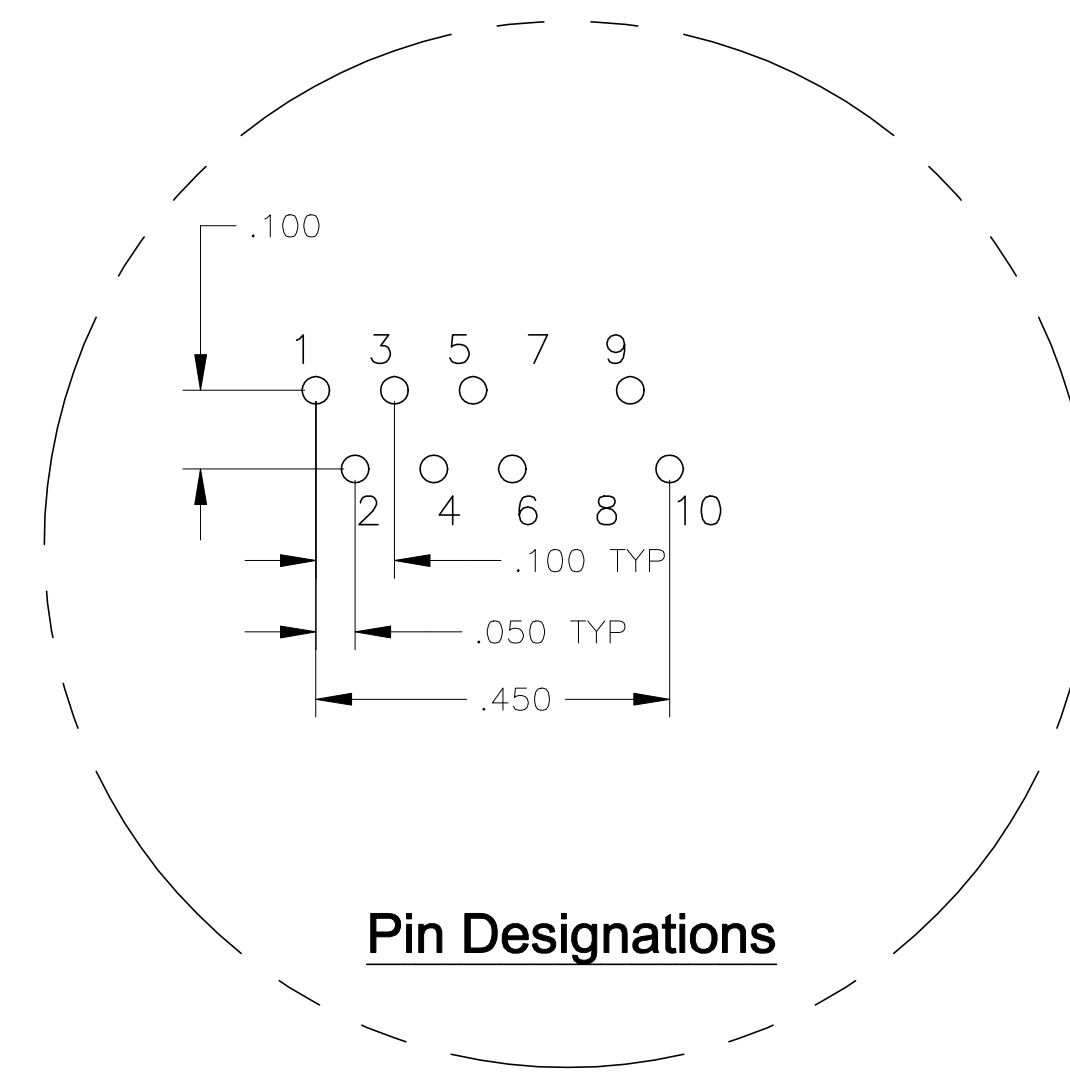
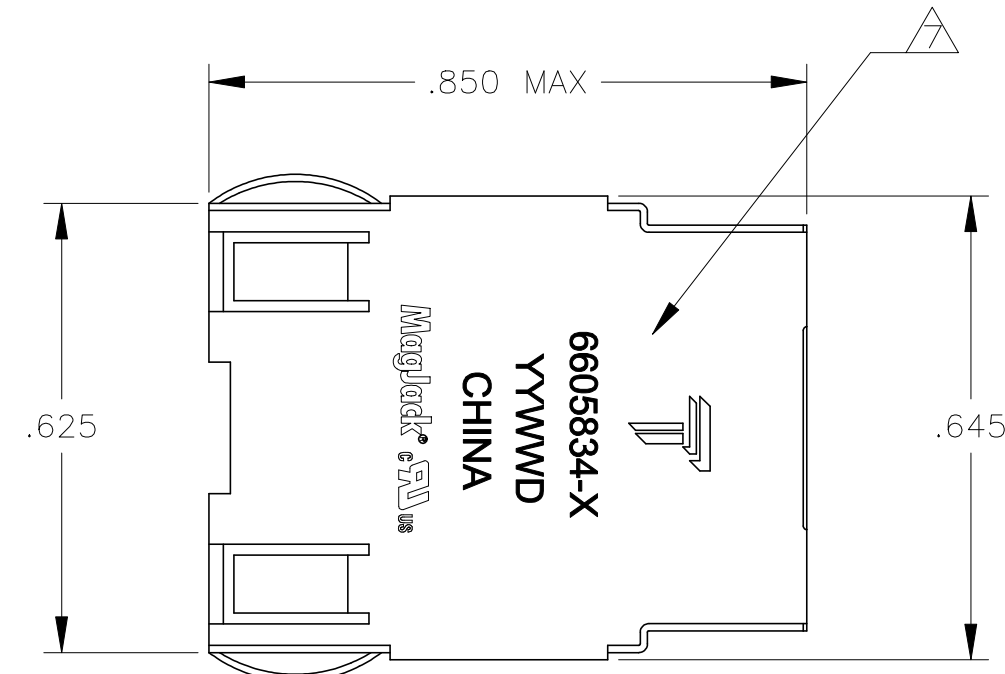


THIS DRAWING AND THE SUBJECT MATTER SHOWN THEREON ARE CONFIDENTIAL AND THE PROPERTY OF BEL/STEWART/TRP CONNECTOR AND SHALL NOT BE REPRODUCED, COPIED, OR USED IN ANY MANNER WITHOUT THE WRITTEN CONSENT OF TRP CONNECTOR.

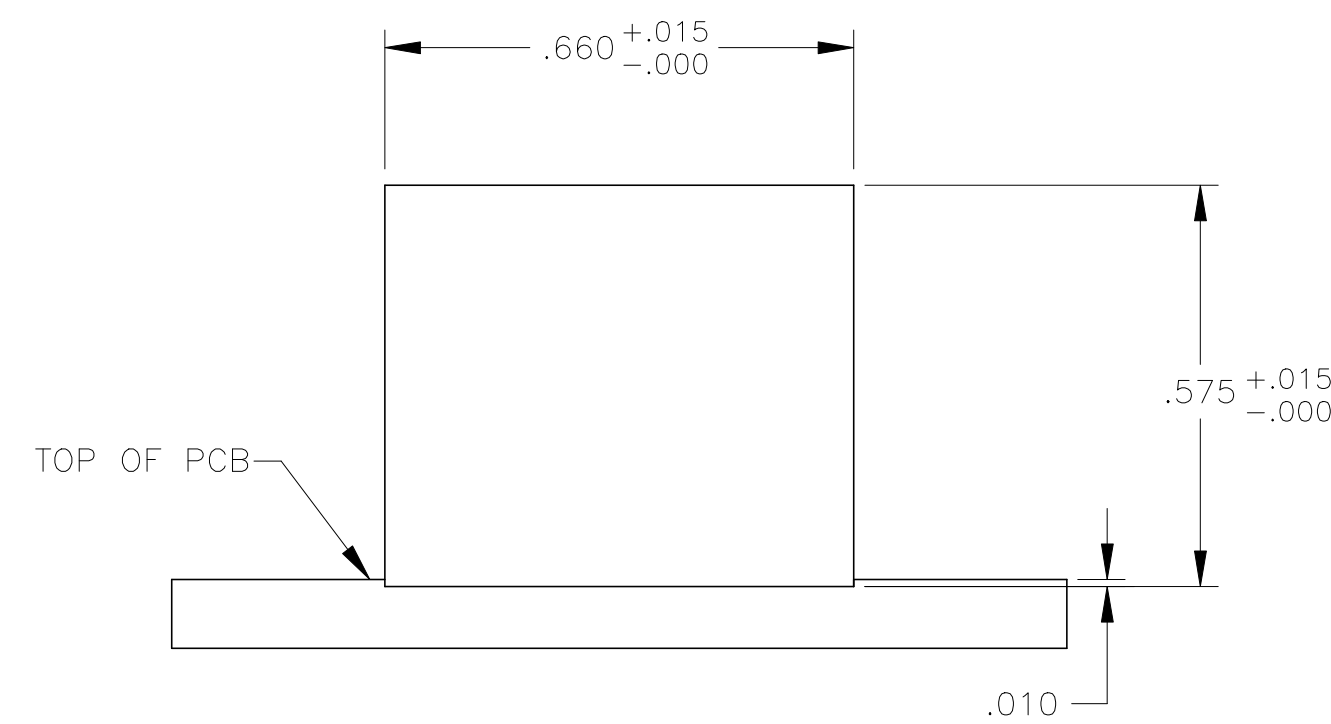
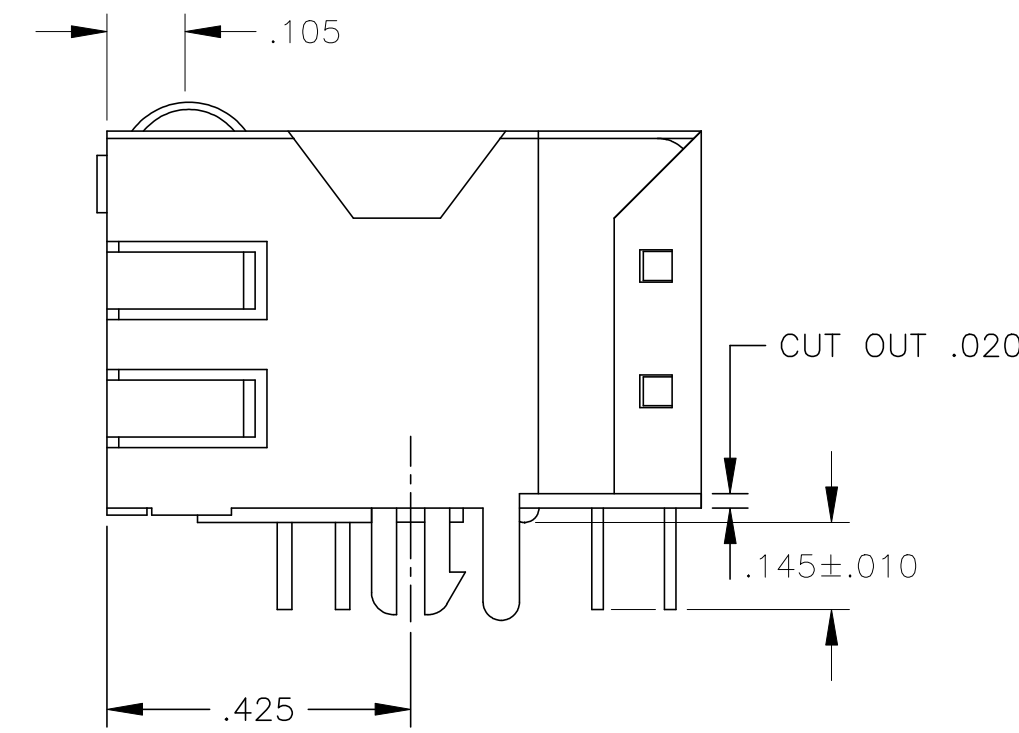
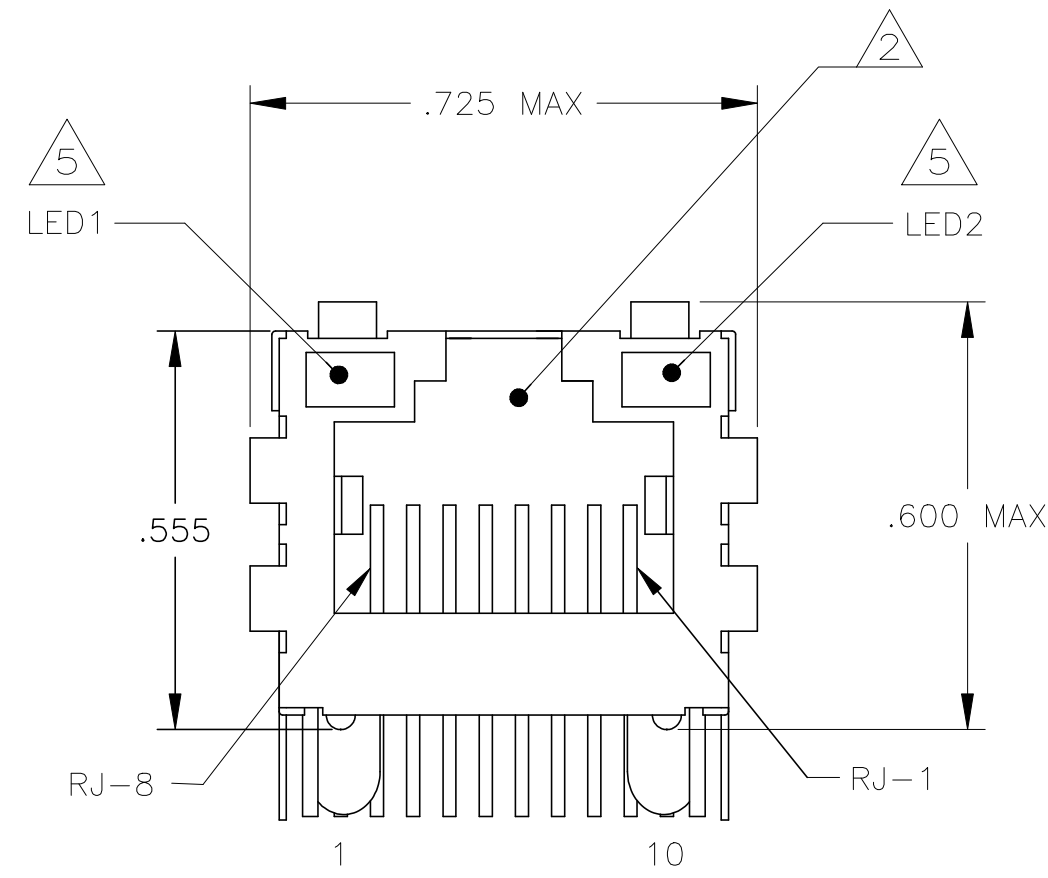
PRODUCT MAY BE PROTECTED BY ONE OR MORE OF THE FOLLOWING US PATENTS:
 5736910 5939955 6425781 6428361 6554638 6840817 7123117
 7429195 7717749 7808751 6217391 6149050 7924130

REVISIONS				
P	LYR	DESCRIPTION	DATE	APVD
G		EC-1411035 COMPANY LOGO CHANGE	09JAN2015	HY KZ

MECHANICAL:

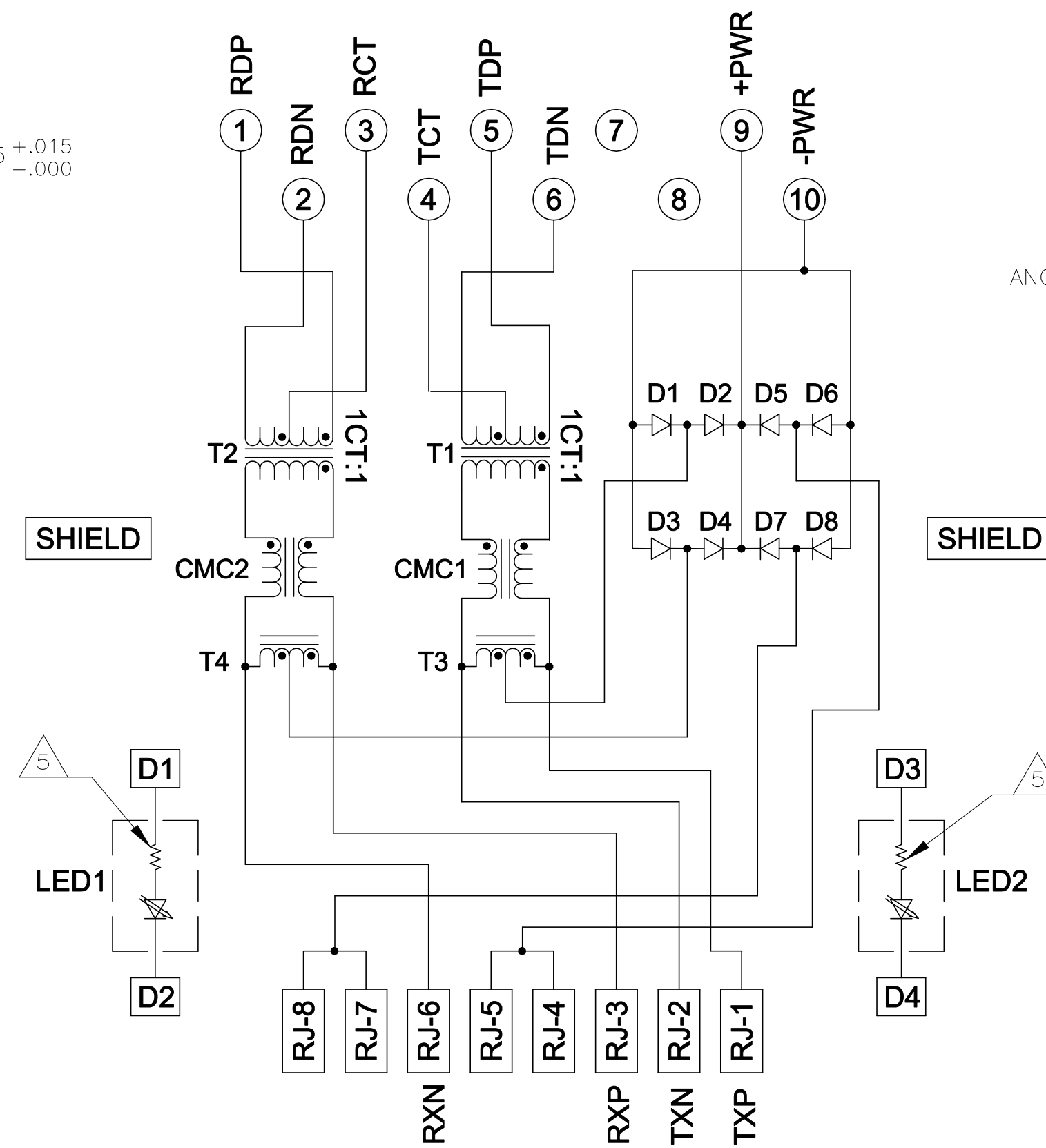


Pin Designations

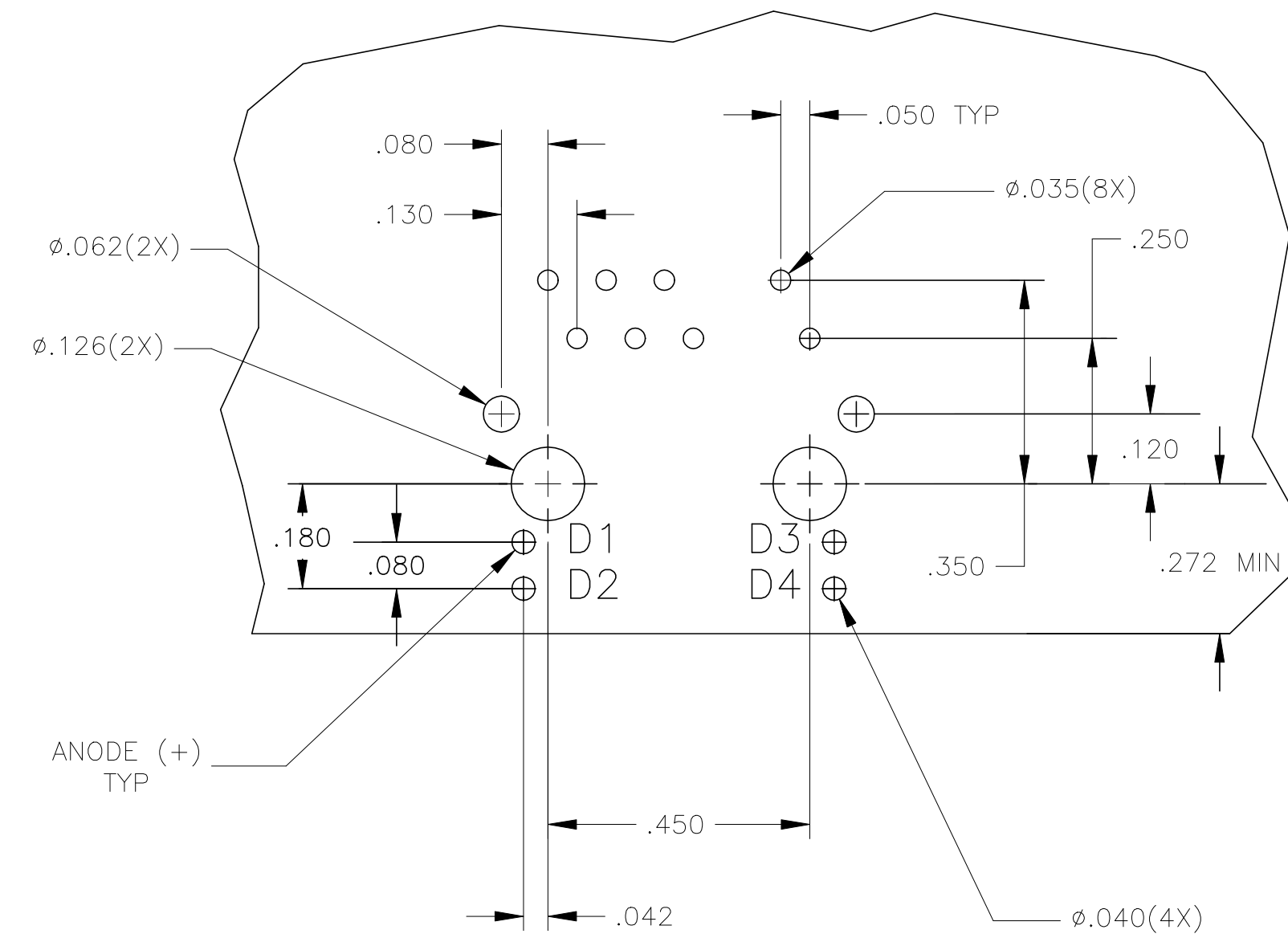


Suggested Panel Cutout

**ELECTRICAL:
7D15 PoE MAGNETIC CIRCUIT**



D1-D8 = RECTIFIER DIODE
 -FORWARD VOLTAGE, Vf = 1.2V MAX @ If = 0.5A
 -FORWARD CURRENT, If = 0.5A MAX
 -REVERSE VOLTAGE, Vr = 80V MAX



**Suggested PCB Layout
(Component Side)**

- △ MATERIALS:
 -HOUSING - THERMOPLASTIC PET POLYESTER FLAMMABILITY RATING UL 94V-0.
 -SHIELD - .010" THICK, C26800 BRASS PREPLATED WITH 30μ INCH MIN SEMI-BRIGHT NICKEL, SOLDER TABS POST DIPPED WITH 100μ INCH MIN SAC SOLDER.
 -MOD JACK CONTACTS - 0.0157" x 0.018" PHOSPHOR BRONZE, 50μ INCH MIN OVERALL NICKEL UNDERPLATE, WITH SELECT 50μ INCH MIN HARD GOLD FINISH PLATE.
 SOLDERTAILS WITH 100μ INCH MIN MATTE TIN AND/OR SAC SOLDER DIP.
 -LIGHT EMITTING DIODE(LED) - DIFFUSED EPOXY LENS, .020" x .020" CARBON STEEL WIREFRAME LEADS PRE-PLATED WITH 80μ INCH SILVER OVER 40μ INCH NICKEL UNDERPLATE OVER 40μ INCH COPPER UNDERPLATE, POST-PLATED WITH 100μ INCH MIN MATTE TIN AND/OR SAC SOLDER DIP OR PURE TIN SOLDER DIP.

- △ RJ45 JACK CAVITY CONFORMS TO FCC RULES AND REGULATIONS PART 68, SUB PART F.

- △ MAGNETICS
 -IMPEDANCE: 100 OHMS
 -TURNS RATIO (CHIP-CABLE): TX = 1:1, RX = 1:1
 -OPEN CIRCUIT INDUCTANCE (OCL): 350μ H MIN @100kHz, 0.1VRMS, 8mADC BIAS FROM 0°C TO 70°C, TX AND RX
 -POE CURRENT: 350mADC MAX
 -PERFORMANCE @ 25°C:
 INSERTION LOSS (IL): 1.1dB MAX FROM 0.5MHz TO 100MHz
 RETURN LOSS (RL): 18dB MIN FROM 0.5MHz TO 30MHz
 18-20LOG(f/30)dB MIN FROM 30.1MHz TO 60MHz
 12dB MIN FROM 60.1MHz TO 80MHz
 CROSSTALK ATTENUATION: 35dB MIN FROM 0.5MHz TO 40MHz
 33-20*LOG(f/50)dB MIN FROM 40.1MHz TO 100MHz
 COMMON MODE REJECTION RATIO (CMRR): 30dB MIN FROM 0.5MHz TO 100MHz
 -ISOLATION VOLTAGE:1500VAC (MAX) AT 60Hz FOR 60 SECS.

- 4. OPERATING TEMPERATURE: FROM 0°C TO +70°C.

- △ IF THE LED WITH 250 OHM RESISTORS, LED IS DRIVEN WITH 5V VOLTAGE AND THE MAX OPERATING CURRENT IS 20mA
 LED COLOR : DOMINANT WAVELENGTH (λD): GREEN 568 nm TYP. @ VF=5V
 FORWARD CURRENT (IF): GREEN 12 mA TYP. @ VF=5V
 DOMINANT WAVELENGTH (λD): YELLOW 588 nm TYP. @ VF=5V
 FORWARD CURRENT (IF): YELLOW 13 mA TYP. @ VF=5V

- △ INDICATED CONNECTIONS ARE FOR NIC CONFIGURATION. THE MAGNETICS ARE SYMMETRICAL, AND ARE AUTO-MDI/MDIX CAPABLE.

- △ TRP CONNECTOR LOGO, PART NUMBER, DATE CODE, COUNTRY OF ORIGIN AND AGENCY APPROVAL MARKING IN APPROXIMATE LOCATION SHOWN.

- 8. THESE PARTS ARE RECOMMENDED FOR WAVE SOLDERING PROCESS, PREHEAT TEMPERATURE IS 120°C TO 160°C, 120 SECONDS TO 180 SECONDS, PEAK WAVE SOLDERING TEMPERATURE IS 260°C MAX, 10 SECONDS MAX.

GREEN	GREEN	1-6605834-1
GREEN	YELLOW	6605834-1
LED1	LED2	PART NUMBER

THIS DRAWING IS A CONTROLLED DOCUMENT.		DWN L. VARELA - DOCK5 CHK D. FAROLE APVD D. FAROLE		04MAR2005 04MAR2005 04MAR2005	
DIMENSIONS: INCHES		TOLERANCES UNLESS OTHERWISE SPECIFIED:		MODEL NAME	
		0 PLC ± - 1 PLC ± - 2 PLC ± .010 3 PLC ± .005 4 PLC ± - ANGLES ± -		DESC 1X1 7D15 10/100 POE TAB UP W/ LED	
PRODUCT SPEC 108-2100		APPLICATION SPEC -		MAGJACK SINGLE POE	
		SCALE NTS		RESTRICTED TO -	
		CUSTOMER DRAWING		DRAWING NO C=6605834	
		SHEET 1 OF 1		REV G	

