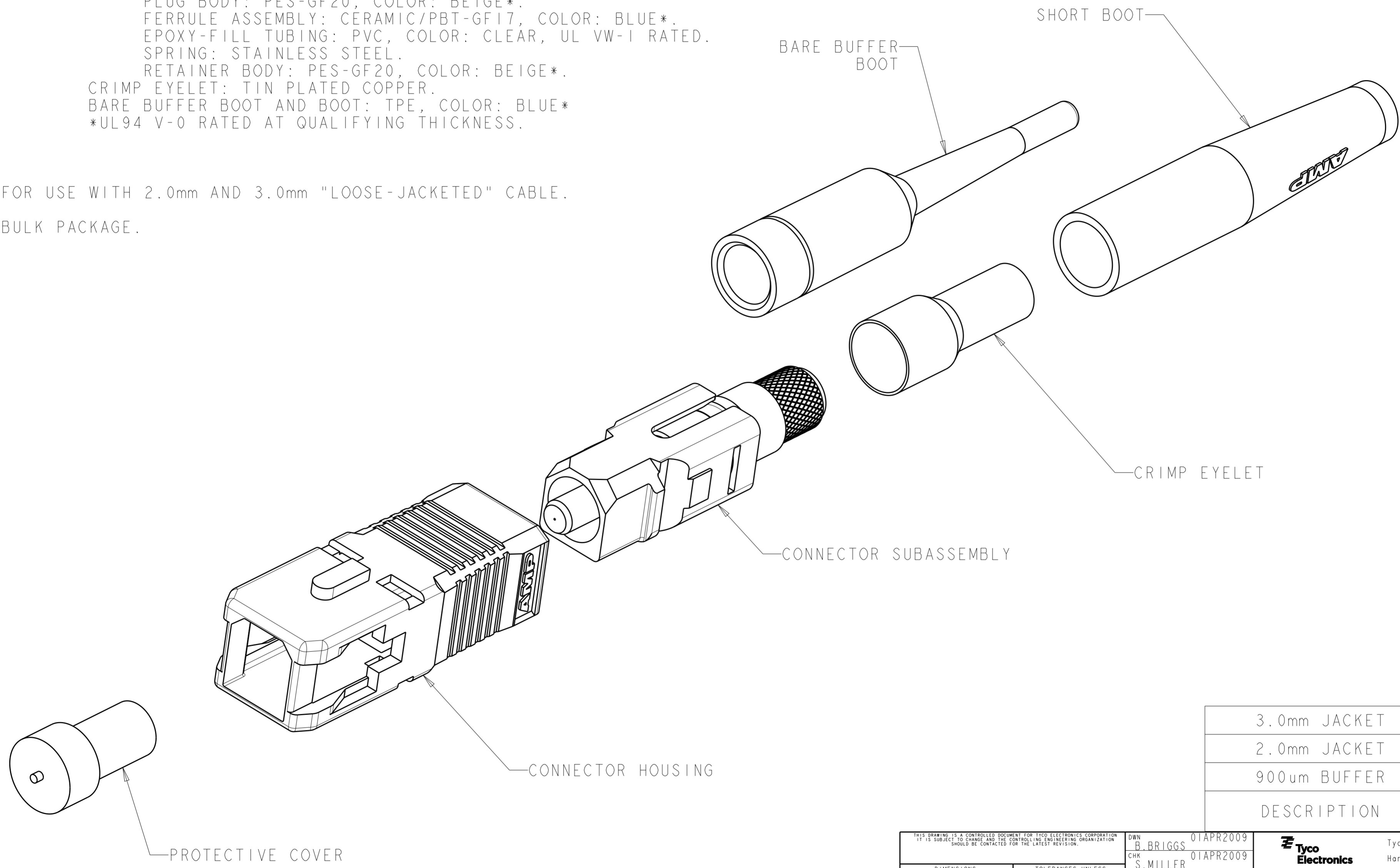


THIS DRAWING IS UNPUBLISHED. RELEASED FOR PUBLICATION 20
 © COPYRIGHT 20 BY TYCO ELECTRONICS CORPORATION. ALL RIGHTS RESERVED.

LOC	DIST	REVISIONS					
CE	00	P	LTR	DESCRIPTION	DATE	DWN	APVD
		A		ECR-15-018476	30DEC15	SW	RZ

⚠ MATERIAL:
 PROTECTIVE COVER: LDPE, BLACK, NON-FR.
 CONNECTOR HOUSING: PBT-GF17, COLOR: BLUE*.
 CONNECTOR SUBASSEMBLY:
 PLUG BODY: PES-GF20, COLOR: BEIGE*.
 FERRULE ASSEMBLY: CERAMIC/PBT-GF17, COLOR: BLUE*.
 EPOXY-FILL TUBING: PVC, COLOR: CLEAR, UL VW-1 RATED.
 SPRING: STAINLESS STEEL.
 RETAINER BODY: PES-GF20, COLOR: BEIGE*.
 CRIMP EYELET: TIN PLATED COPPER.
 BARE BUFFER BOOT AND BOOT: TPE, COLOR: BLUE*
 *UL94 V-0 RATED AT QUALIFYING THICKNESS.

- 2. FOR USE WITH 2.0mm AND 3.0mm "LOOSE-JACKETED" CABLE.
- 3. BULK PACKAGE.



DESCRIPTION	PART NUMBER
3.0mm JACKET	2064939-3
2.0mm JACKET	2064939-2
900um BUFFER	2064939-1

<small>THIS DRAWING IS A CONTROLLED DOCUMENT FOR TYCO ELECTRONICS CORPORATION. IT IS SUBJECT TO CHANGE AND THE CONTROLLING ENGINEERING ORGANIZATION SHOULD BE CONTACTED FOR THE LATEST REVISION.</small>		DWN B. BRIGGS 01APR2009 CHK S. MILLER 01APR2009 APVD S. BUCHTER 01APR2009	Tyco Electronics Tyco Electronics Harrisburg, PA 17105-3608
DIMENSIONS: mm 	TOLERANCES UNLESS OTHERWISE SPECIFIED: 0 PLC ± 1 PLC ± 2 PLC ± 3 PLC ± 4 PLC ± ANGLES ± FINISH	PRODUCT SPEC - APPLICATION SPEC - WEIGHT -	NAME CONNECTOR KIT, SC, SINGLEMODE, BULK PACK
MATERIAL 		SCALE 5:1 SHEET 1 OF 1 REV A	SIZE A2 CAGE CODE 00779 DRAWING NO. C-2064939 RESTRICTED TO -