

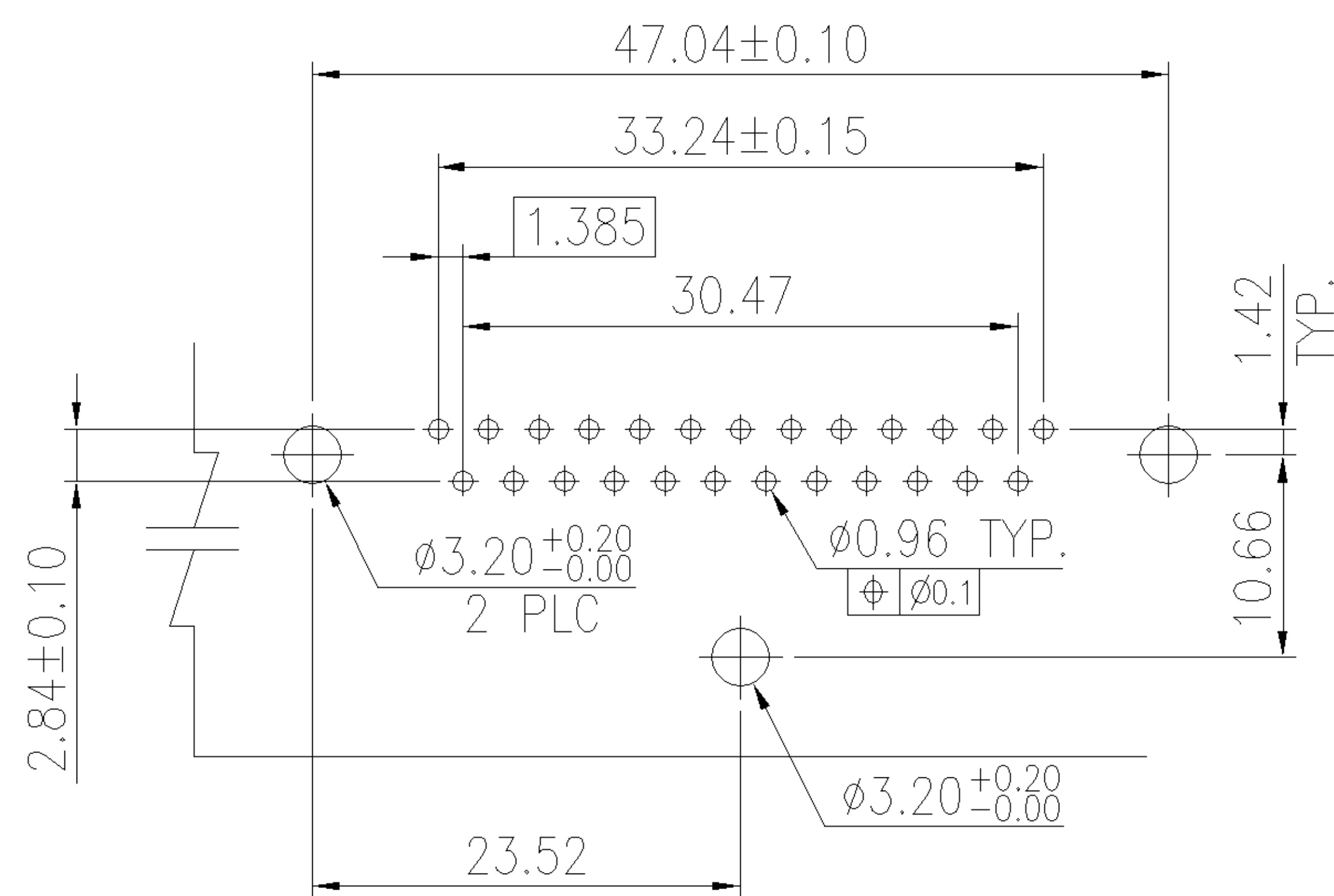
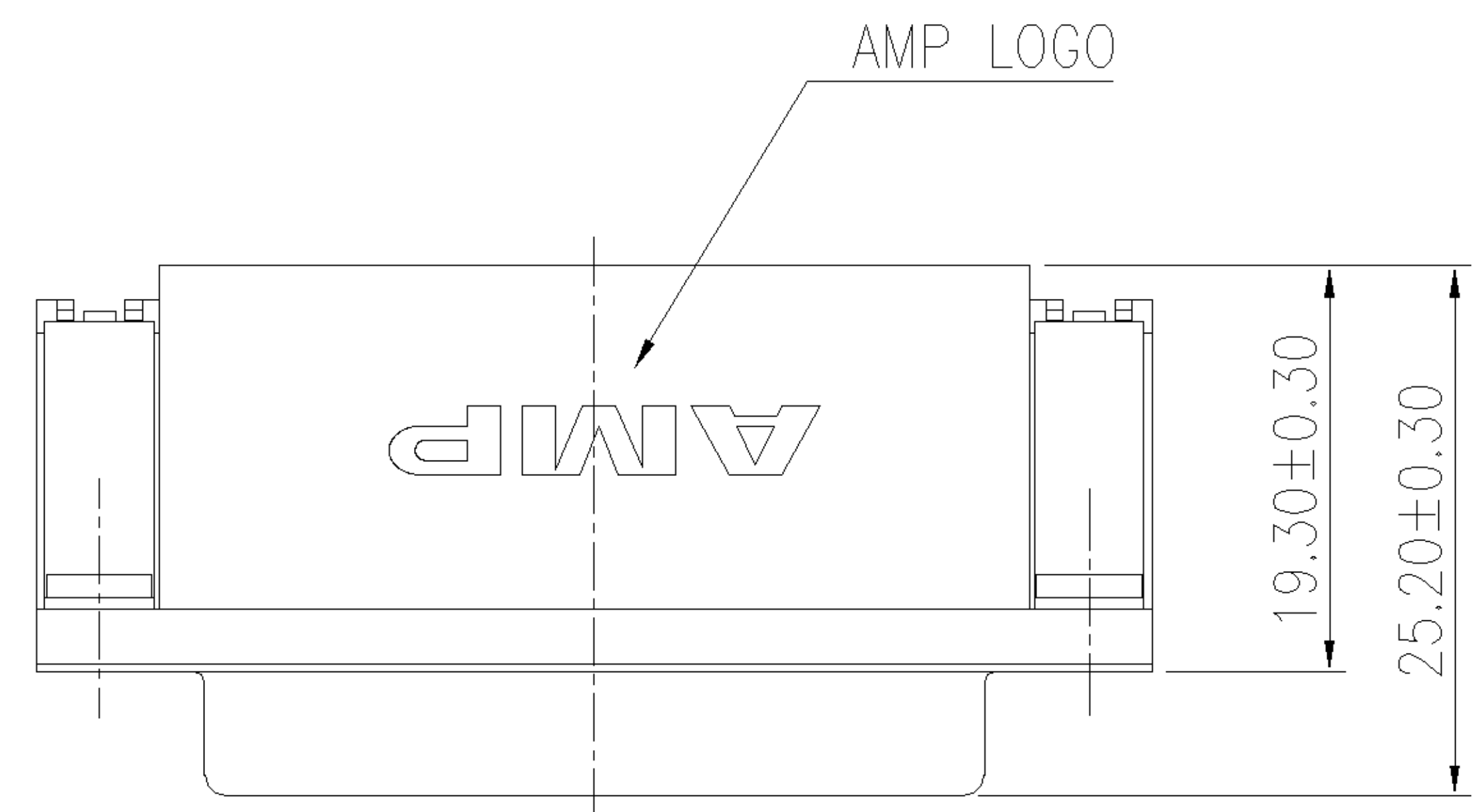
NUMBER C-1734468

3RD ANGLE PROJECTION

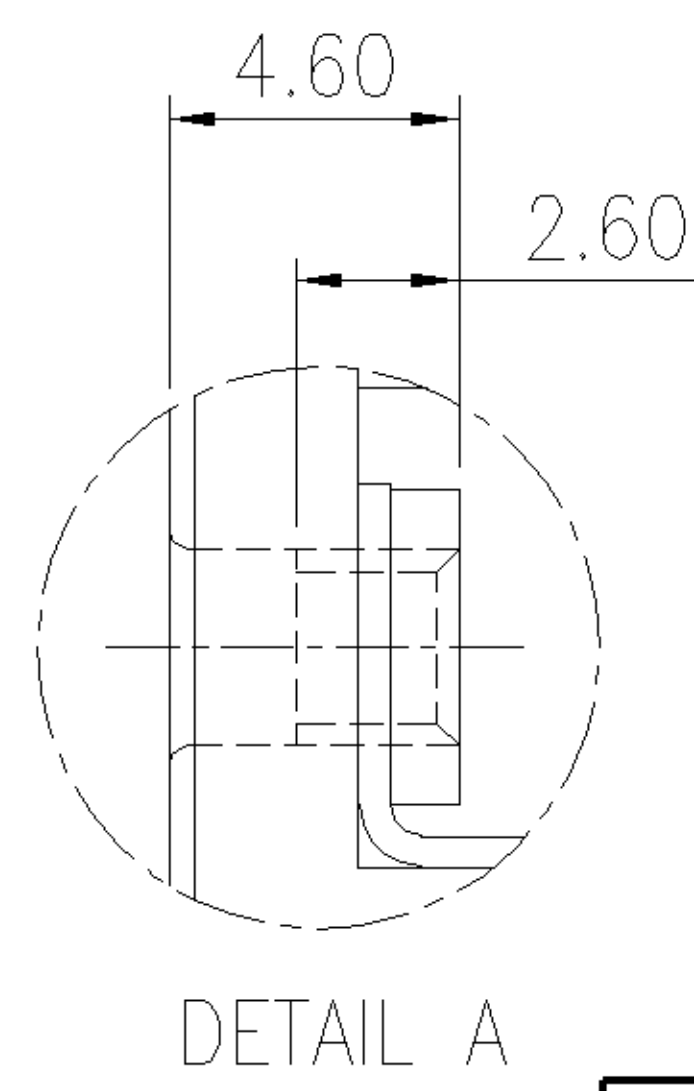
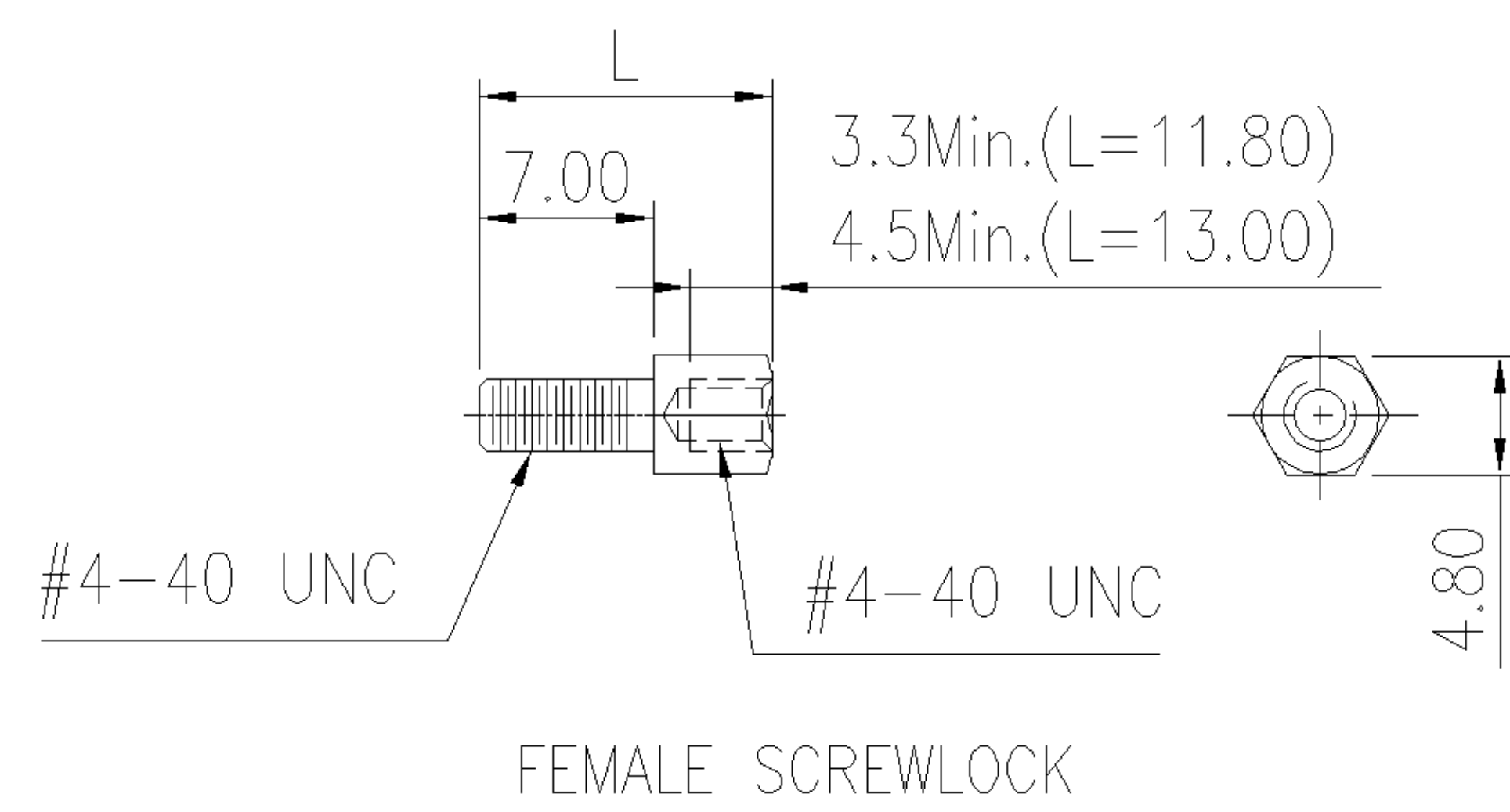
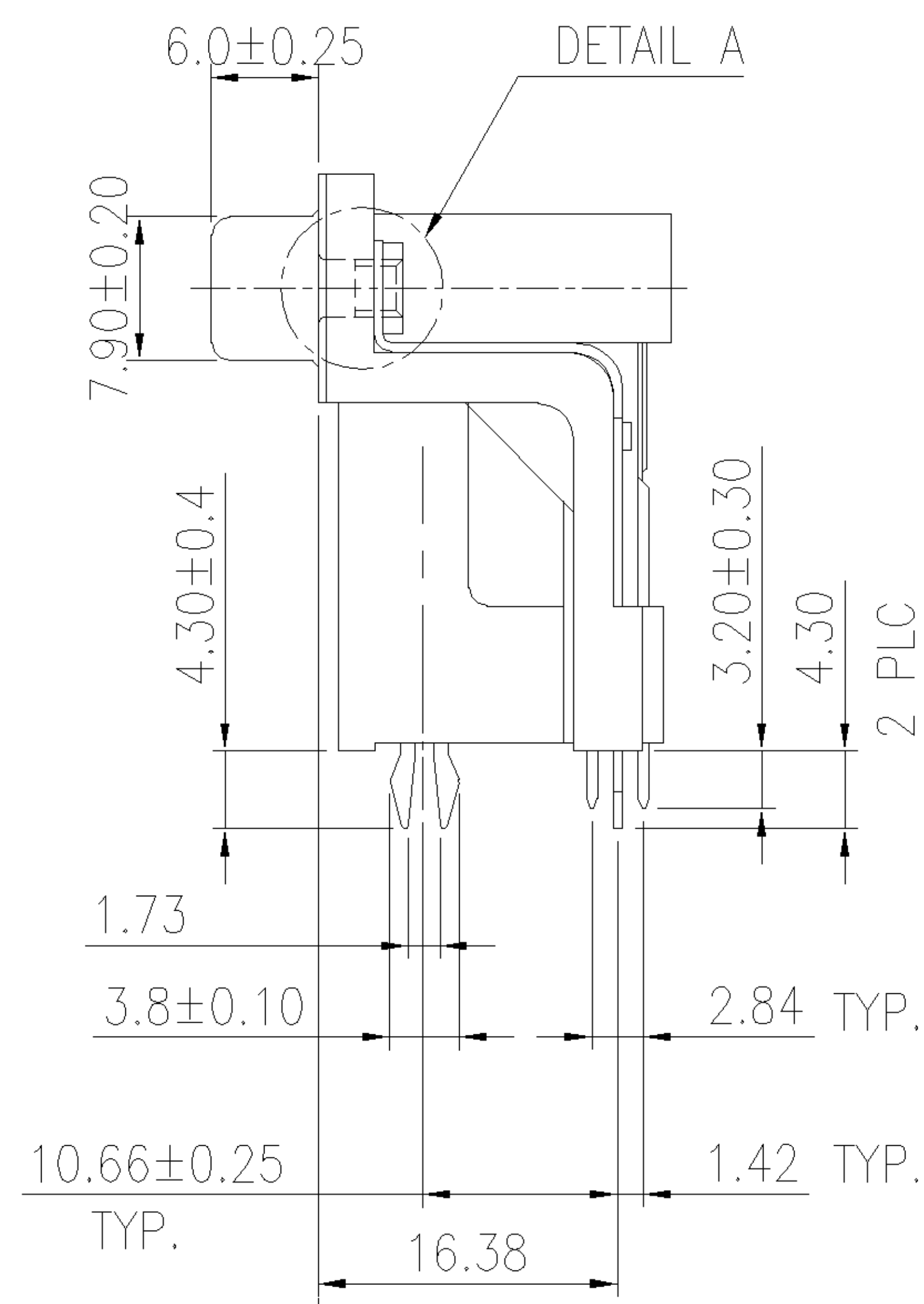
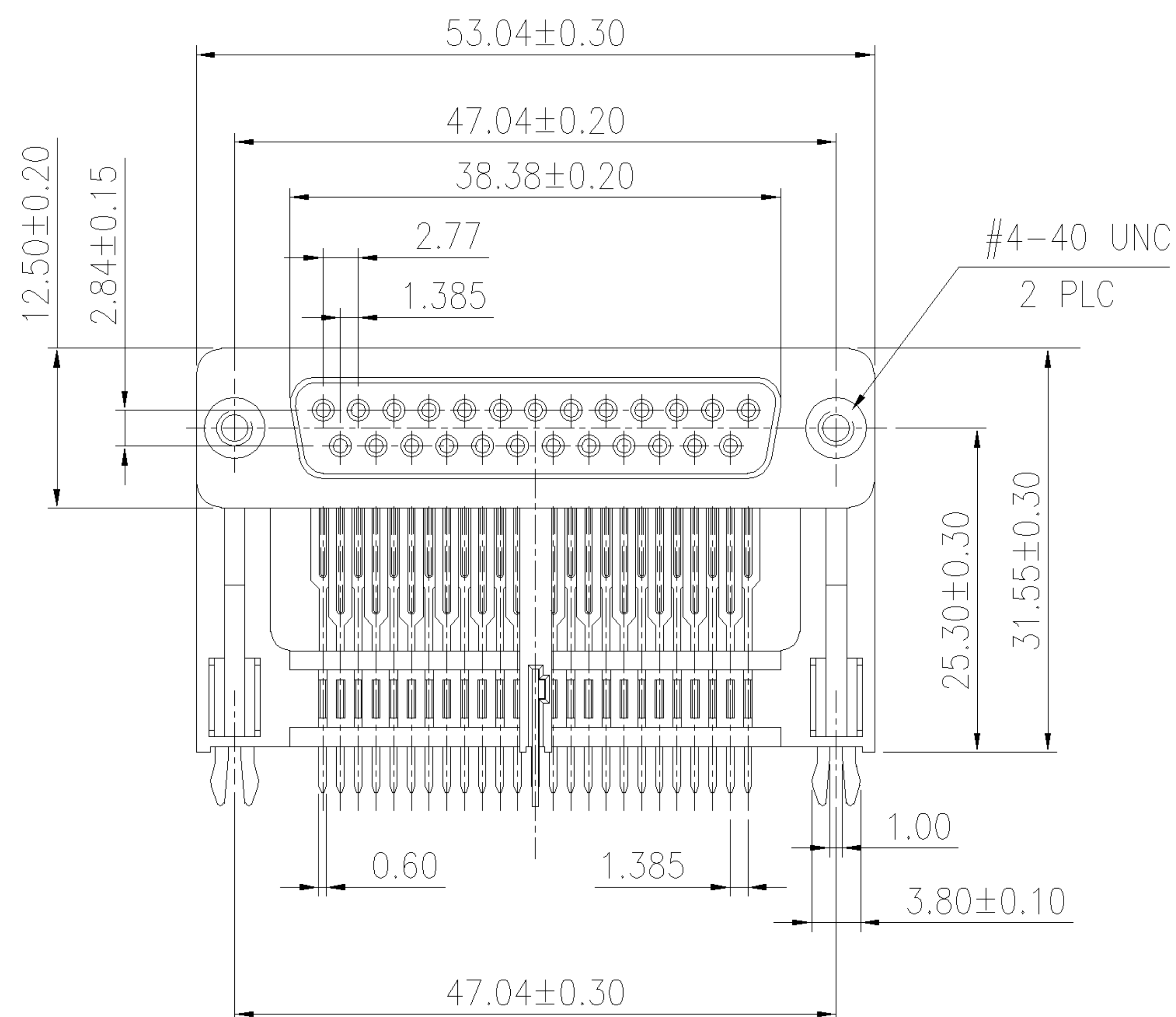
METRIC

THIS INFORMATION IS CONFIDENTIAL AND IS DISCLOSED TO YOU ON CONDITION THAT NO FURTHER DISCLOSURE IS MADE BY YOU TO OTHER THAN AMP PERSONNEL WITHOUT WRITTEN AUTHORIZATION FROM AMP (TAIWAN) LTD. DIMENSIONS IN MILLIMETERS. DO NOT SCALE PRINT.

PRINT DIST DW



P.C.B. LAYOUT



NOTES:
ROHS 2002/95/EC COMPLIANT

1. MATERIAL:
 - 1.1 HOUSING: THERMOPLASTIC, UL94V-0;
COLOR : BURGUNDY (PC99 235C)
 - 1.2 CONTACTS: BRASS
 - 1.3 BOARDLOCK :STEEL.
 - 1.4 METAL SHELL : STEEL.
 - 1.5 THREADED INSERTS : BRASS.
 - 1.6 SCREWLOCK : BRASS.
2. FINISH:
 - 2.1 CONTACT:
GOLD FLASH PLATING ON CONTACT AREA.
100u" MIN. TIN PLATING ON SOLDER TAIL AREA,
50u" MIN. NICKEL UNDERPLATING OVERALL,
 - 2.2 BOARDLOCK:
100u" MIN TIN PLATING ON SOLDER TAILS.
50u" MIN NICKEL UNDERPLATING OVERALL.
 - 2.3 METAL SHELL : 50u" MIN. NICKEL PLATING.
 - 2.4 THREADED INSERTS : NICKEL PLATING.
 - 2.5 SCREWLOCK : NICKEL PLATING.
3. WAVE SOLDER CAPABLE TO 265°C
PER TYCO SPEC. 109-202, CONDITION B.

L=11.80	1734468-3
L=13.00	1734468-2
W/O SCREWLOCK	1734468-1
SCREWLOCK	PART NUMBER

TOLERANCES UNLESS OTHERWISE SPECIFIED: 0 PLC ± 1 PLC ±0.3 2 PLC ±0.2 3 PLC ±0.2 ANGLES ±3'	DWN J. LEE 11-MAR-2005	TYCO HOLDINGS (BERMUDA) VII LTD. TAIWAN BRANCH NAME D-SUB HIGH-RISE 25Pos. RCPT.
MATERIAL SEE NOTE	CHK S. HOU 11-MAR-2005	
FINISH SEE NOTE	APVD W.J. KE 11-MAR-2005	PRODUCT SPEC 108-57541
	QUALIFICATION TEST REPORT 501-57623	LOC DW
	WEIGHT 25.5 GRAM	SIZE A ₃
		DRAWING NO C-1734468
		REV 0
		SCALE --
		SHEET 1 OF 2

0	FIRST RELEASED	FZ00-0029-05	JL	11MAR 2005
LTR	REVISION RECORD	ECN	DWN	CHK

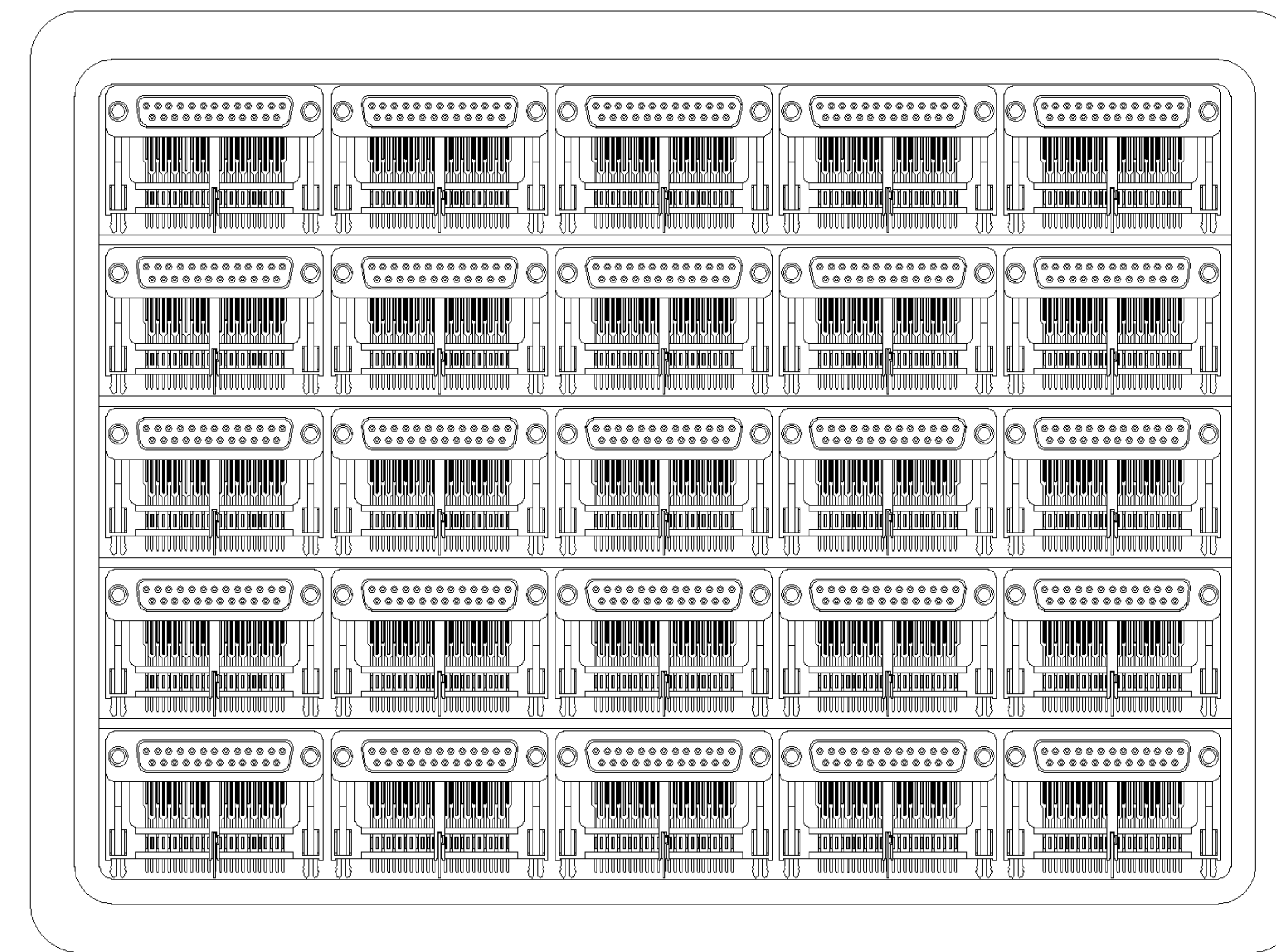
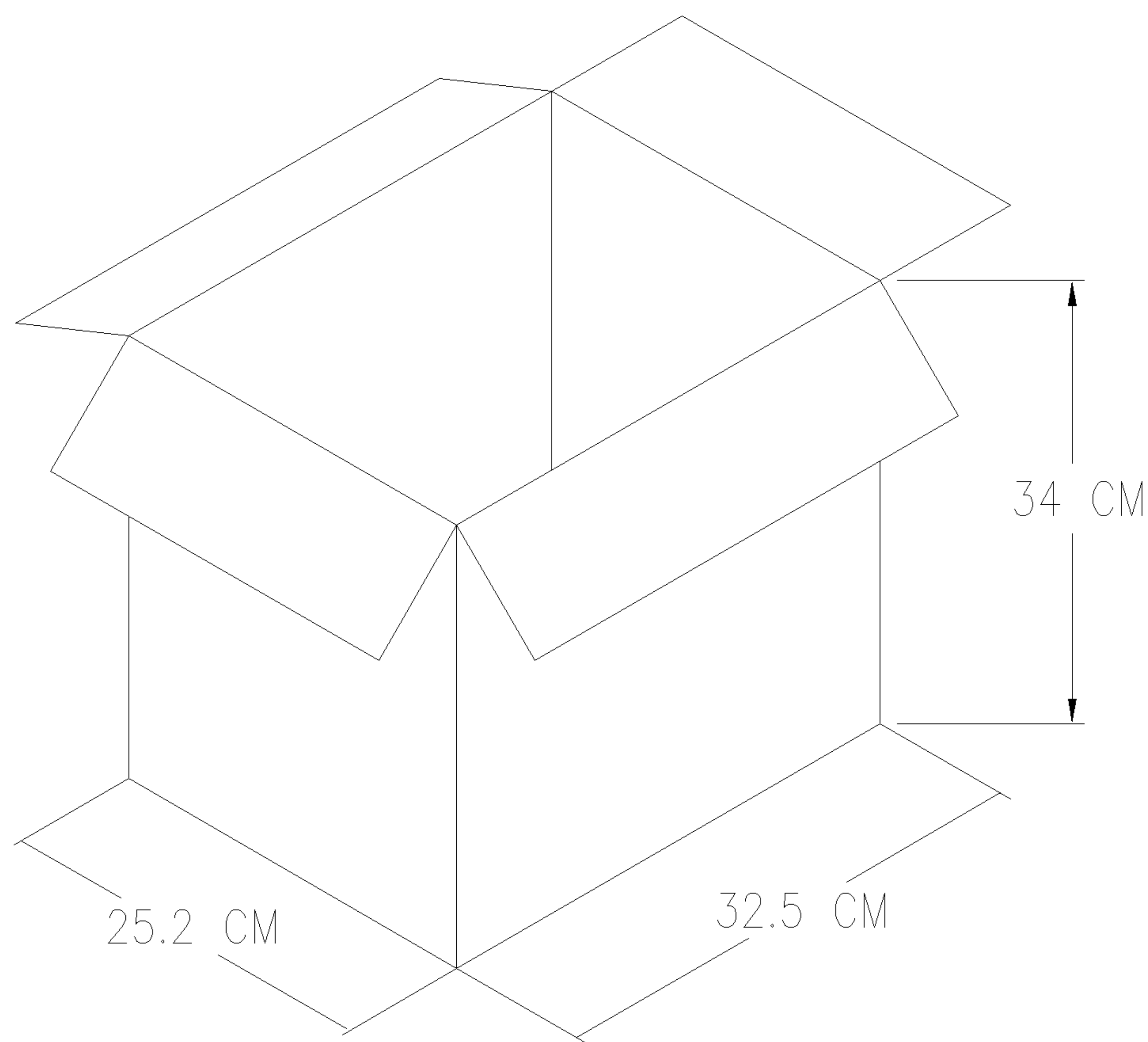
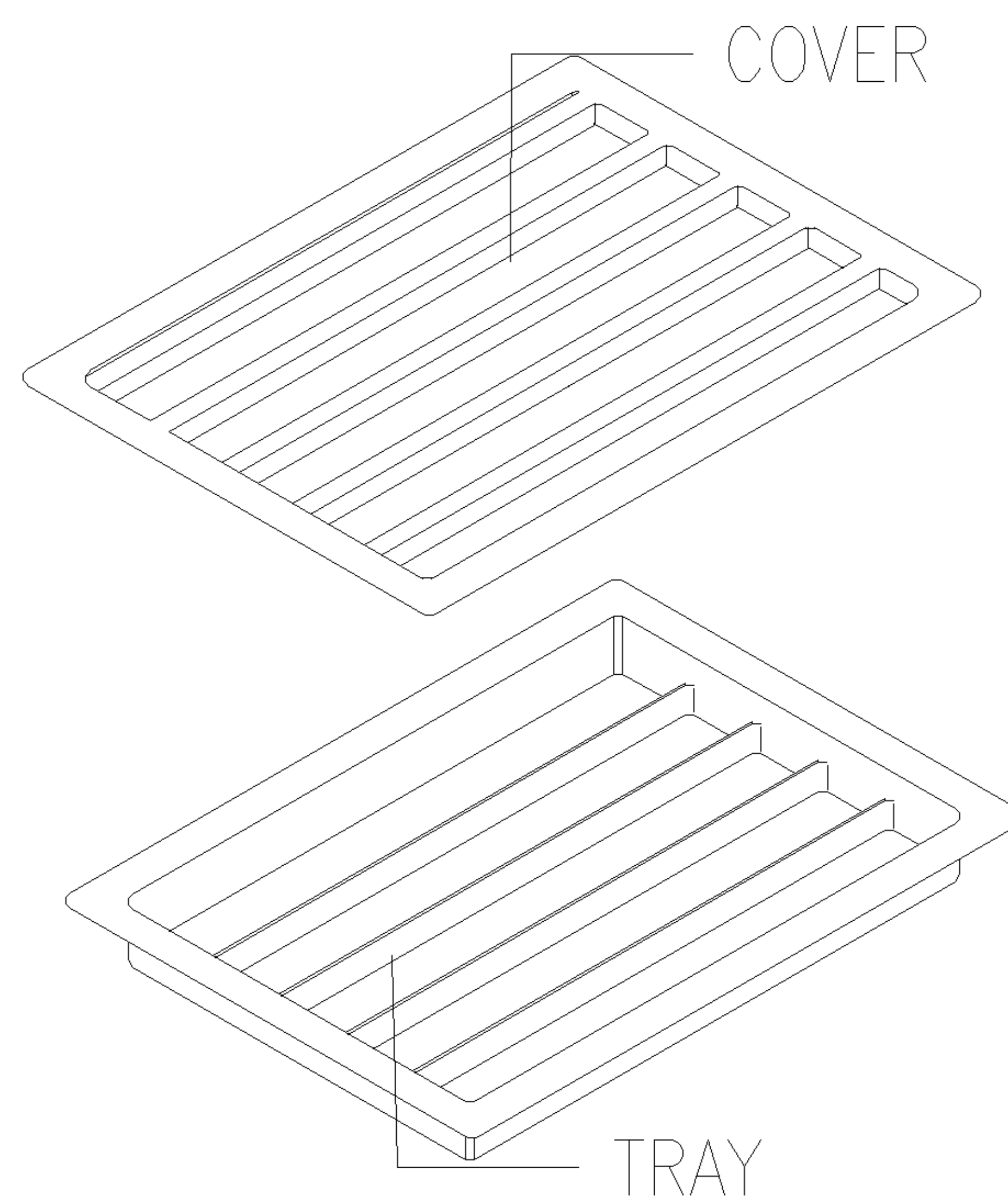
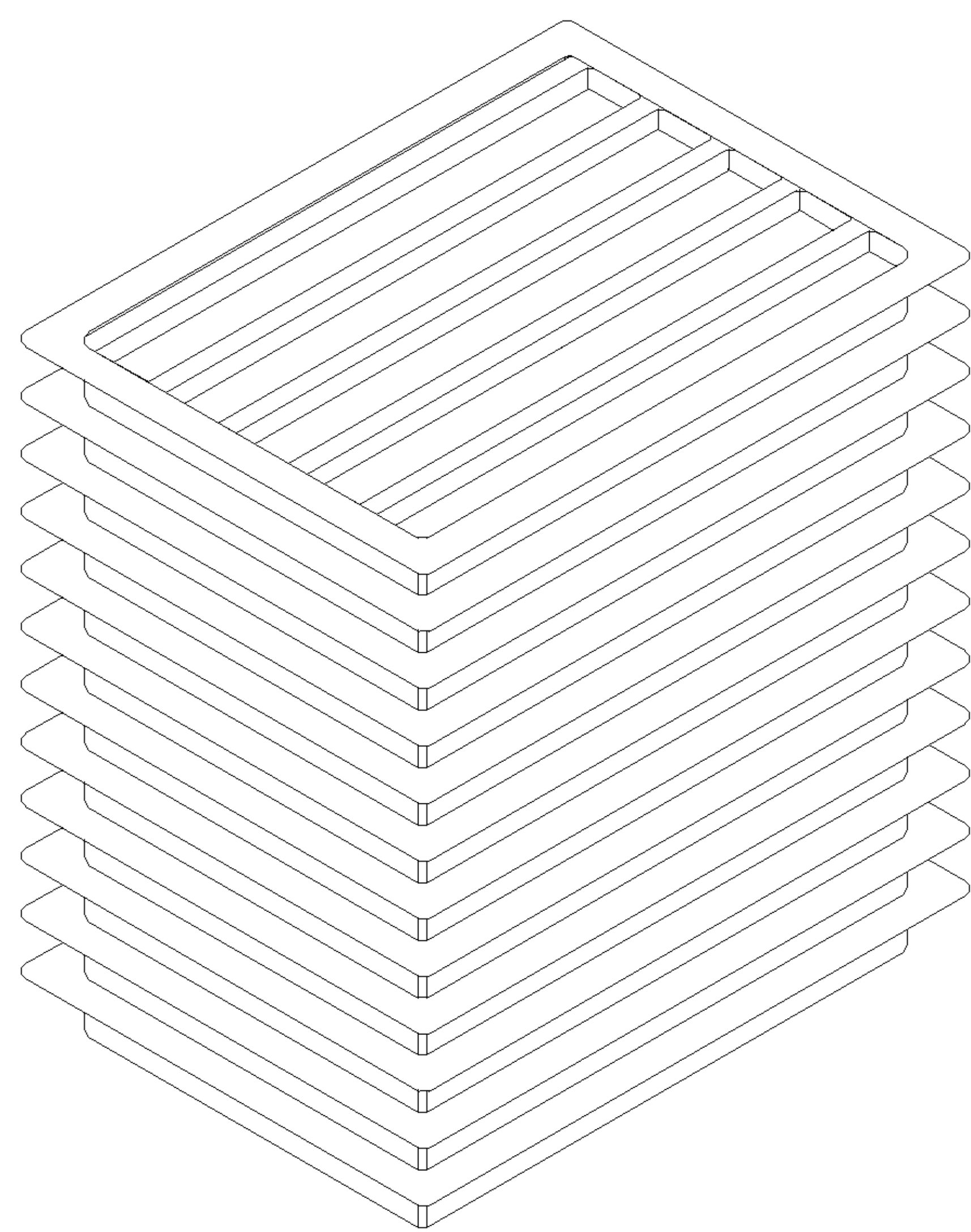
NUMBER C-1734468

3RD ANGLE PROJECTION

METRIC

THIS INFORMATION IS CONFIDENTIAL AND IS DISCLOSED TO YOU ON CONDITION THAT NO FURTHER DISCLOSURE IS MADE BY YOU TO OTHER THAN AMP PERSONNEL WITHOUT WRITTEN AUTHORIZATION FROM AMP (TAIWAN) LTD. DIMENSIONS IN MILLIMETERS. DO NOT SCALE PRINT.

PRINT DIST
DW



PCS/TRAY	25
TRAY/BOX	12
TOTAL (PCS)	300
CTN SIZE	32.5 * 25.2 * 34 CM
NW	7.67 Kg
GW	9.07 Kg

TOLERANCES UNLESS OTHERWISE SPECIFIED: 0 PLC ± 1 PLC ±0.3 2 PLC ±0.2 3 PLC ± ANGLES ±3'	DWN	J. LEE 11-MAR-2005	tyco Electronics TYCO HOLDINGS (BERMUDA) VII LTD. TAIWAN BRANCH
	CHK	S. HOU 11-MAR-2005	
MATERIAL	APVD	W.J. KE 11-MAR-2005	NAME D-SUB HIGH-RISE 25Pos. RCPT.
SEE NOTE	PRODUCT SPEC	--	
FINISH	QUALIFICATION TEST REPORT	--	LOC SIZE DRAWING NO REV DW A ₃ C-1734468 0
SEE NOTE	WEIGHT	--	SCALE SHEET -- 2 OF 2

	SEE SHEET 1			
LTR	REVISION RECORD	ECN	DWN/CHK	DATE

8 | 7 | 6 | 5 | 4 | 3 | 2 | 1

CUSTOMER DRAWING

D

C

B

A