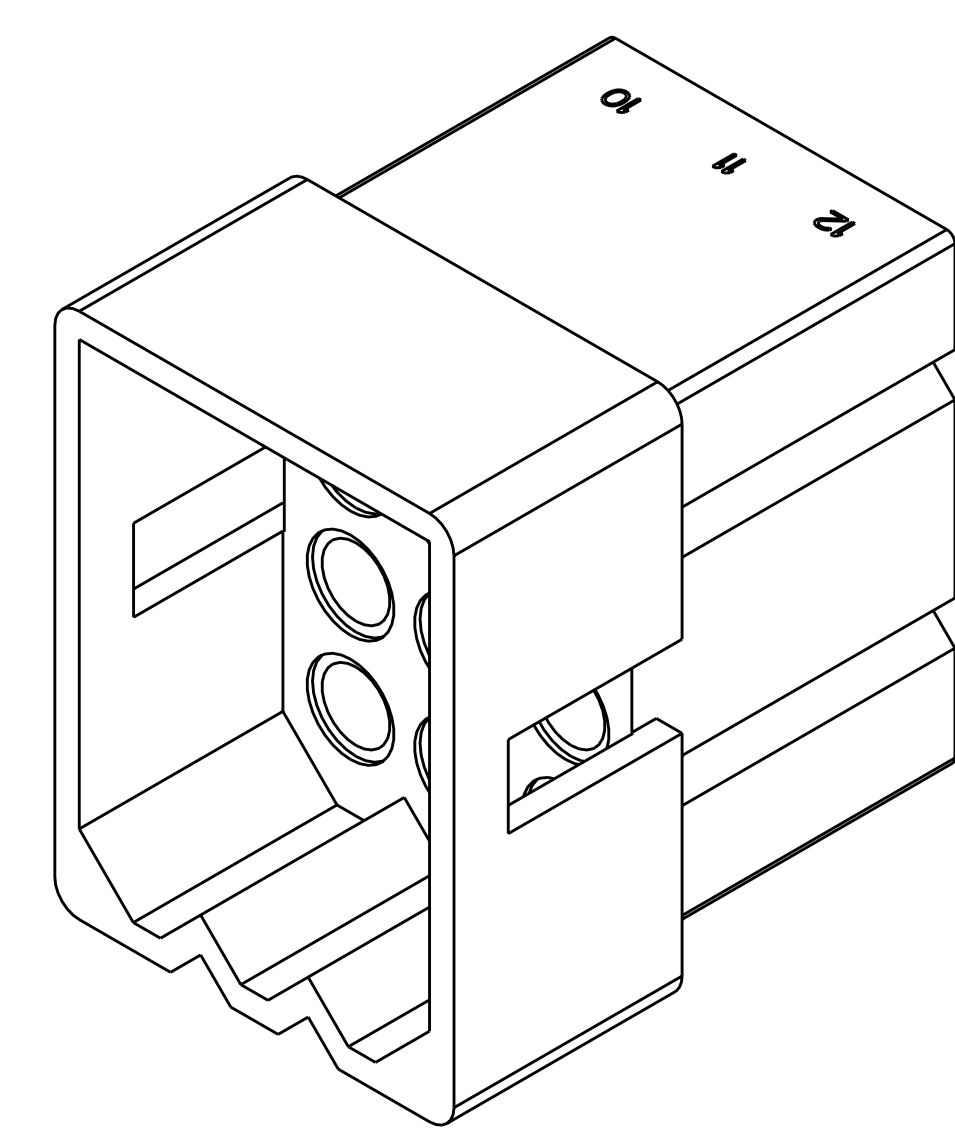
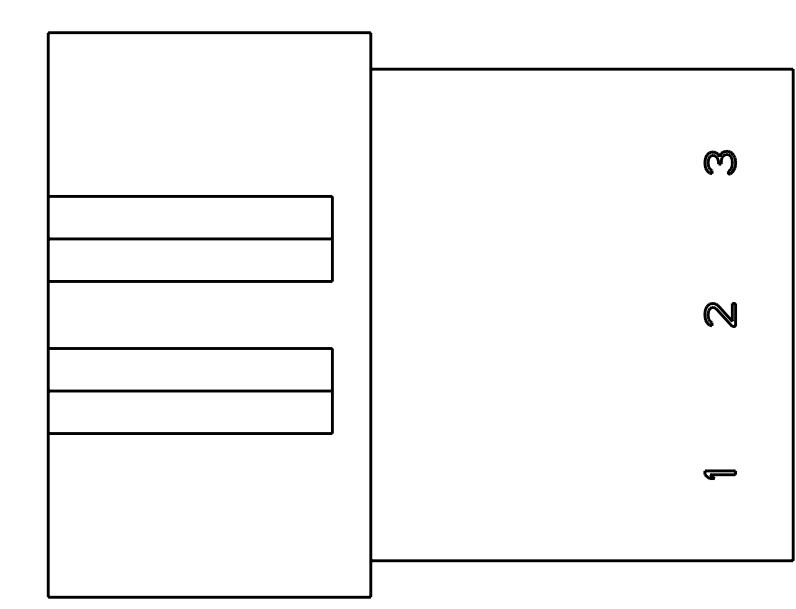
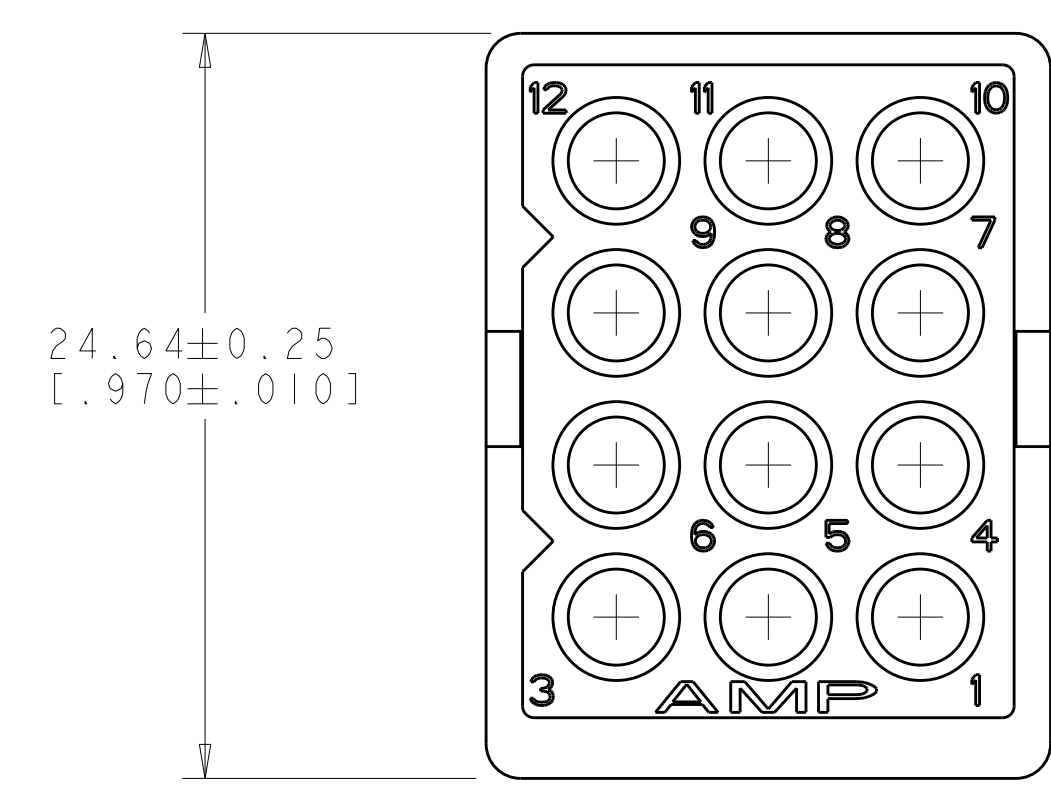
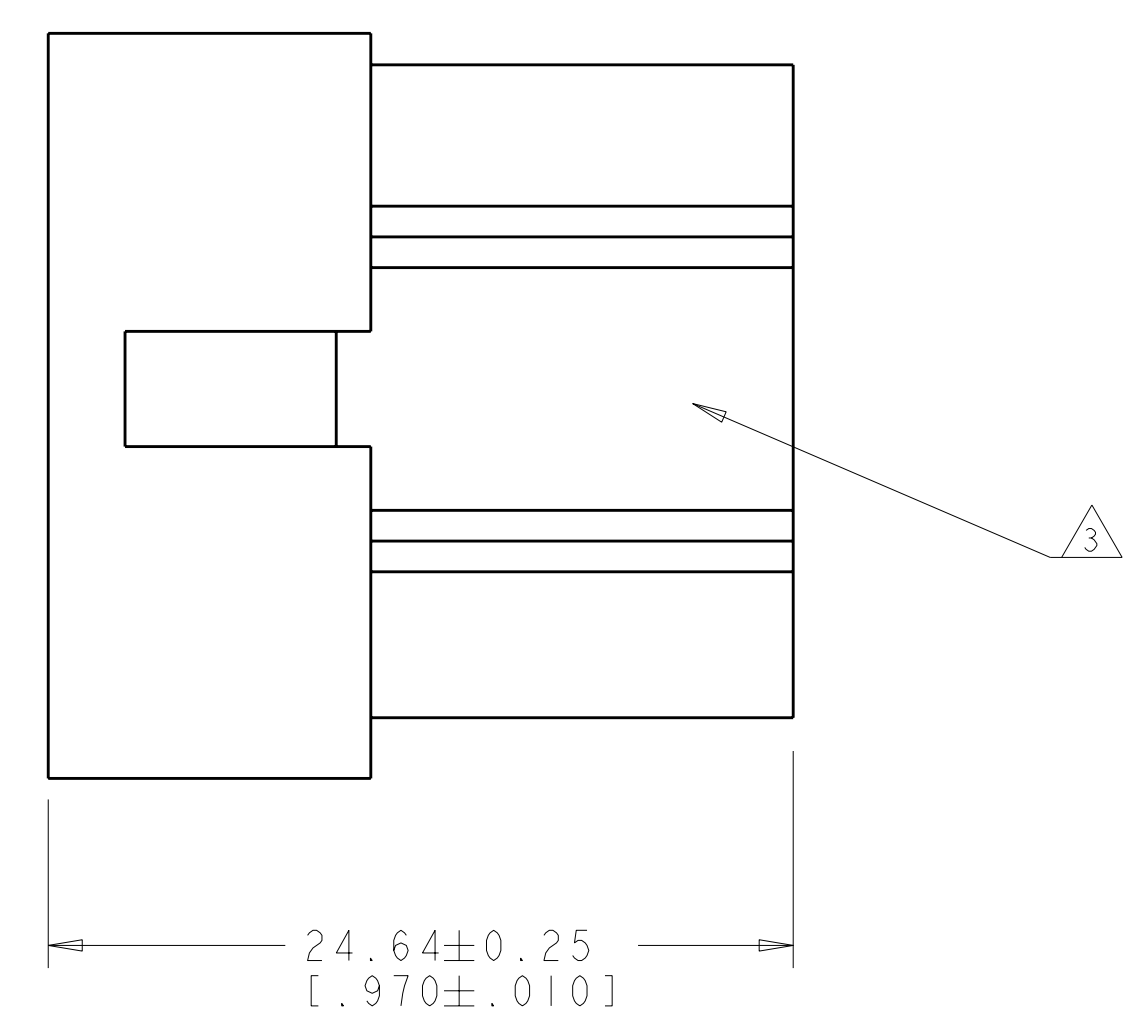
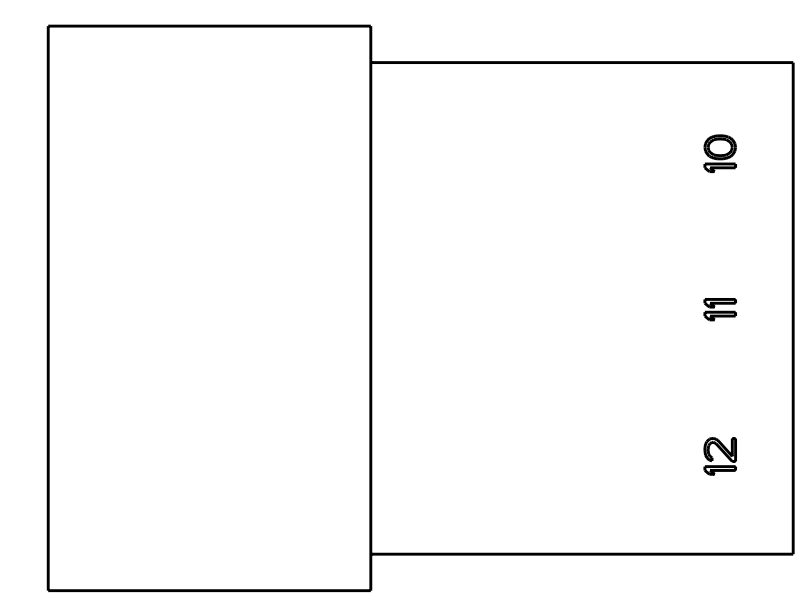
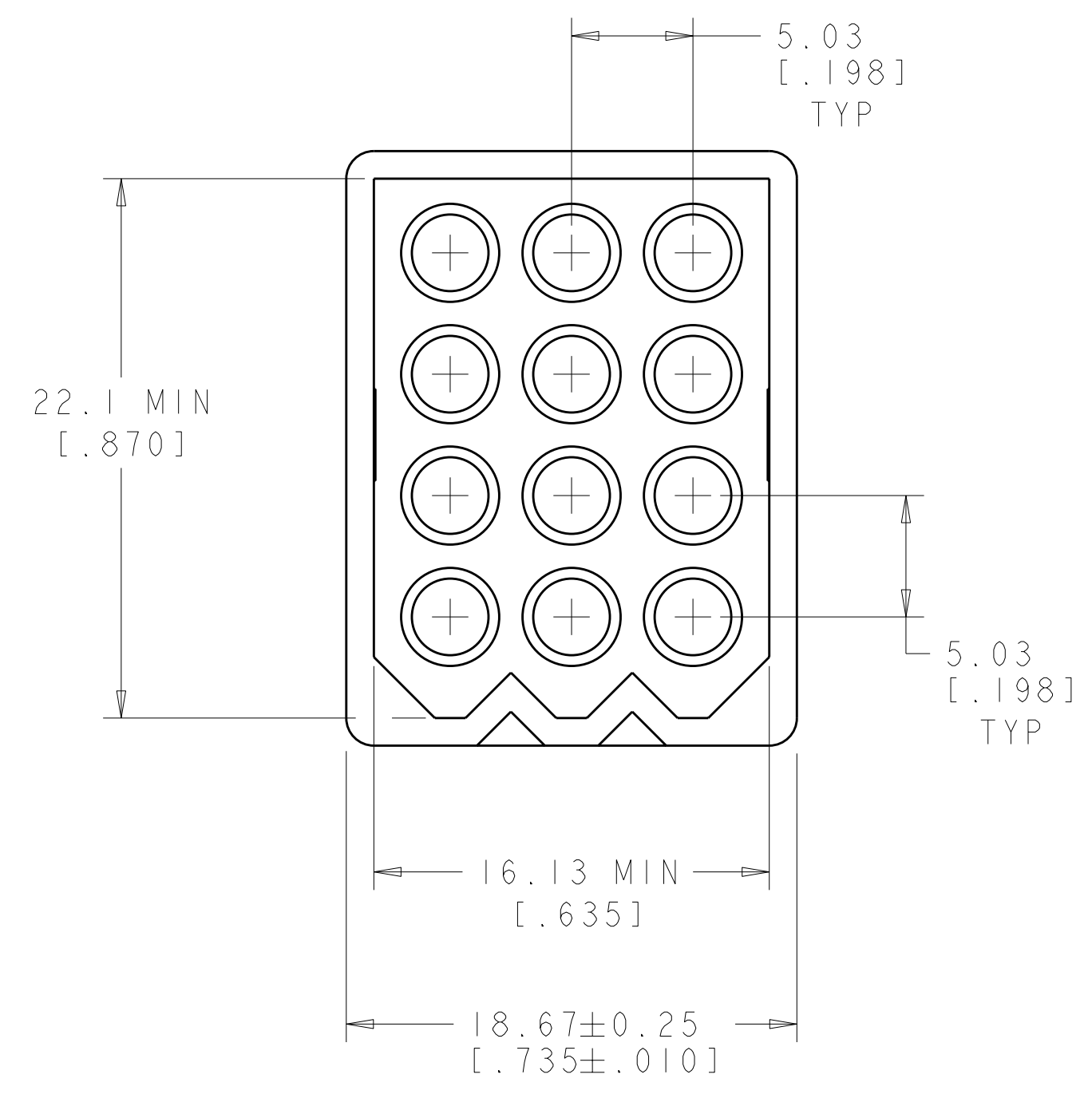


LOC	DIST	REV	DATE	DWN	APVD
CM	00	F	ECO-07-020239	12OCT2007	KW CC

1 MATERIAL: NYLON UL94V-2 (NATURAL).  
 2 MARKINGS FOR UL LOGO AND CSA LOGO LOCATED ON THIS SURFACE. OPPOSITE SIDE IS OPTIONAL LOCATION.



**METRIC**

0.244 IN <sup>3</sup>	770102-1
VOLUME	PART NUMBER

<small>THIS DRAWING IS UNPUBLISHED. RELEASED FOR PUBLICATION BY TYCO ELECTRONICS CORPORATION. ALL RIGHTS RESERVED.</small>		DWN: R. WHITAKER 12OCT2007 CHK: C. CASH 12OCT2007 APVD: C. CASH 12OCT2007	Tyco Electronics Harrisburg, PA 17105-3608
DIMENSIONS: mm [ INCHES ]	TOLERANCES UNLESS OTHERWISE SPECIFIED: 9 PLC ± 8 PLC ±0.13 (1.005) 5 PLC ± 4 PLC ± ANGLES ±40° 30'	NAME: PLUG, 12 CIRCUIT, .093 COMMERCIAL PIN AND SOCKET PRODUCT SPEC: APPLICATION SPEC: WEIGHT: FINISH:	SIZE: A   00779   C=770102 SCALE: 4:1 SHEET 1 OF 1 REV F
MATERIAL: NYLON UL94V-2 (NATURAL)		CUSTOMER DRAWING	