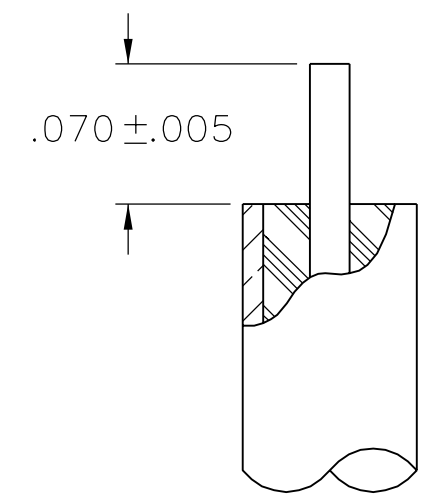
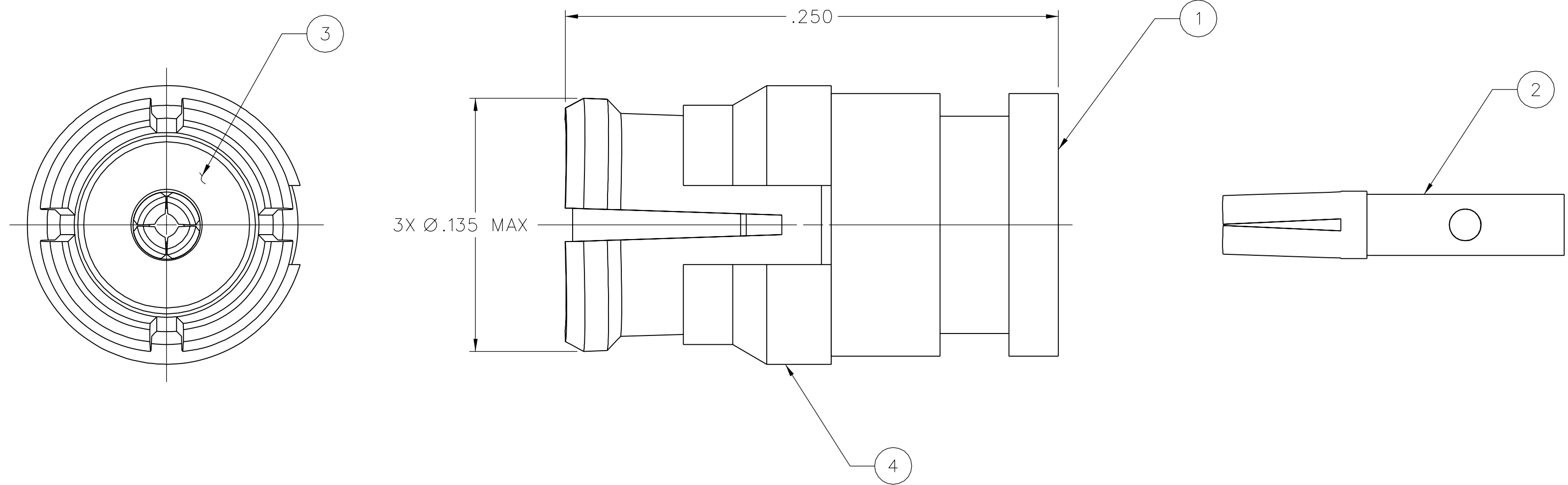
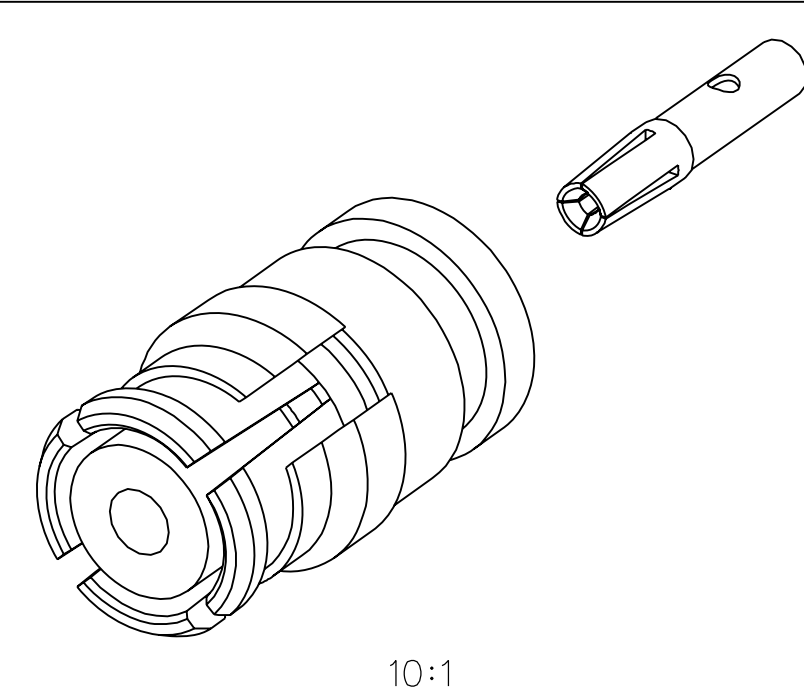


PART NUMBER 127-0693-001	ITEM ① BODY BERYLLIUM COPPER GOLD PL .00005 MIN OVER NICKEL PL .00005 MIN OVER COPPER PL .00005 MIN	ITEM ② CONTACT BERYLLIUM COPPER GOLD PL .00005 MIN OVER NICKEL PL .00005 MIN OVER COPPER PL .00005 MIN	ITEM ③ INSULATOR TEFLON	ITEM ④ ANTI-ROCK RING BERYLLIUM COPPER GOLD PL .00003 MIN OVER NICKEL PL .00005 MIN OVER COPPER PL .00005 MIN
-----------------------------	--	---	-------------------------------	--

DRAWING NO.
C - 127-0693-001/010

0	REVISIONS
ENGINEERING RELEASE	
1	7-27-07 PAT 7-30-07 JDC ECN 5114.3



CABLE STRIP DIMENSIONS
10:1

NOTES:


- SPECIFICATIONS:
 - IMPEDENCE: 50 OHMS NOMINAL
 - FREQUENCY RANGE: 0-40 GHz
 - VSWR: 1.20 MAX (0-18 GHz)
 - 1.35 MAX (18-26.5 GHz)
 - 1.70 MAX (26.5-40 GHz)
 - WORKING VOLTAGE: 335 VRMS MAX AT SEA LEVEL
 - DIELECTRIC WITHSTANDING VOLTAGE: 500 VRMS MIN AT SEA LEVEL
 - INSULATION RESISTANCE: 5000 MEGOHM MIN
 - CONTACT RESISTANCE:
 - CENTER CONTACT - INITIAL 6.0 MILLIOHM MAX, AFTER ENVIRONMENTAL NOT APPLICABLE
 - OUTER CONDUCTOR - INITIAL 2.0 MILLIOHM MAX, AFTER ENVIRONMENTAL NOT APPLICABLE
 - CABLE SHIELD TO CONNECTOR BODY - INITIAL 0.5 MILLIOHM MAX, AFTER ENVIRONMENTAL NOT APPLICABLE
 - INSERTION LOSS: $0.12\sqrt{f}$ (GHz) dB MAX, TESTED AT 10 GHz
 - CORONA LEVEL: 190 VOLTS MIN AT 70,000 FEET
 - RF LEAKAGE: -80 dB TYPICAL, TESTED AT 2.5 GHz
 - RF HIGH POTENTIAL WITHSTANDING VOLTAGE: 325 VRMS MIN AT 4 AND 7 MHz
- MECHANICAL:
 - INTERFACE DESIGN: IN ACCORDANCE WITH MIL-STD-348A, SERIES SMP
 - ENGAGEMENT FORCE: 15.0 LBS MAX (FULL DETENT)
 - DISENGAGEMENT FORCE: 5.0 LBS MIN (FULL DETENT)
 - CONTACT RETENTION: NOT APPLICABLE
 - CABLE ACCEPTABILITY: MIL-C-17/133, RG 405/U
 - CABLE RETENTION: 30 LBS MIN AXIAL FORCE
 - 16 IN-OUNCE MIN TORQUE
 - DURABILITY: 100 CYCLES MIN (FULL DETENT)
- ENVIRONMENTAL:
 - (MEETS OR EXCEEDS THE APPLICABLE PARAGRAPH OF DSCC DWG NO. 94007)
 - OPERATING TEMPERATURE: -65°C TO 165°C
 - THERMAL SHOCK: MIL-STD-202, METHOD 107, CONDITION B, EXCEPT 125°C HIGH TEMP
 - MECHANICAL SHOCK: MIL-STD-202, METHOD 213, CONDITION I
 - CORROSION: MIL-STD-202, METHOD 101, CONDITION B
 - VIBRATION: MIL-STD-202, METHOD 204, CONDITION D
 - MOISTURE RESISTANCE: MIL-STD-202, METHOD 106, EXCEPT STEP 7B OMITTED

CUSTOMER DRAWING

THIS DRAWING TO BE INTERPRETED
PER ASME Y 14.5M - 1994

"μSTATION"

COMPANY CONFIDENTIAL

TOLERANCE UNLESS OTHERWISE SPECIFIED		DRAWN BY PAT	DATE 3-29-07	 Cinch CONNECTIVITY SOLUTIONS a bel group	Cinch Connectivity Solutions P.O. Box 1732 Waseca, MN 56093 1-800-247-8256	
DECIMALS	mm	CHECKED BY XXX	DATE X		TITLE SMP FEMALE, STRAIGHT CABLED, RG-405 (.086) SEMI-RIGID	
.XX	_____	APPROVED BY XXX	DATE X	SHEET 2 OF 2	DRAWING NO. C - 127-0693-001/010	
.XXX ±.005	_____	RELEASE DATE	X	U/M	INCH	SCALE 20:1
MATL	_____					
FINISH	_____					