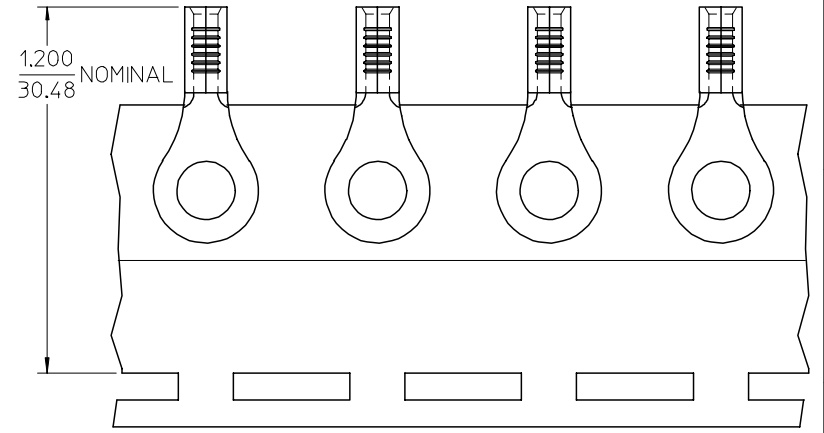
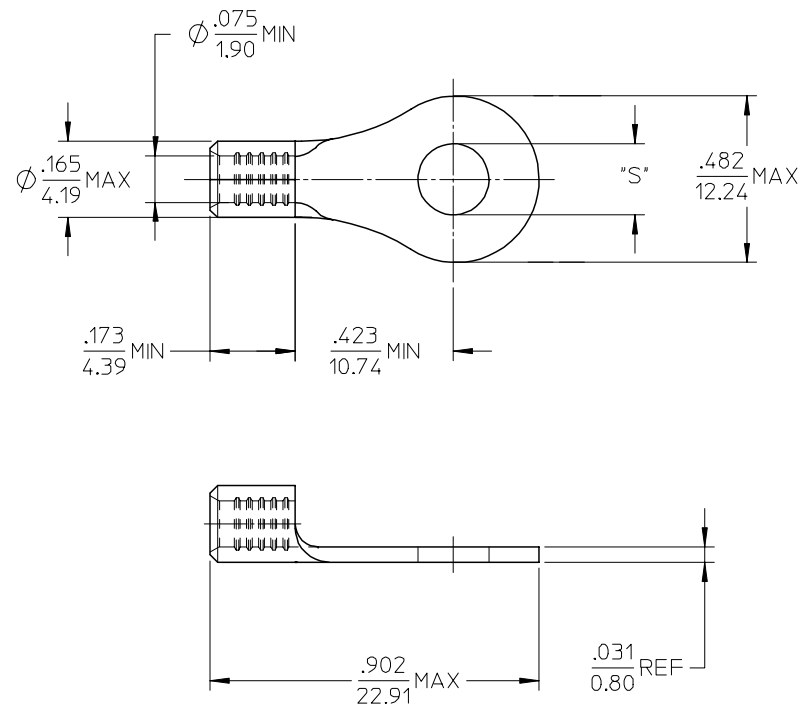


| MATERIAL NO. | ENG. NO.    | STUD SIZE | "S" MAX   | DESCRIPTION |
|--------------|-------------|-----------|-----------|-------------|
| 192030491    | B-S-125-56  | 5/16      | .334/8.48 | LOOSE       |
| 192030046    | B-S-125-56T | 5/16      | .334/8.48 | TAPE        |



PARTS ON TAPE

NOTE(S):

- MATERIAL: STEEL
- WIRE SIZE: 16-14 AWG (1.5-2.5 MM<sup>2</sup>)
- FINISH: NICKEL PLATING
- PART IS ROHS COMPLIANT.
- AMBIENT OPERATING TEMPERATURE UP TO 900 °F (483 °C).

|                           |                 |
|---------------------------|-----------------|
| ADDED OPERATING TEMP      | QUALITY SYMBOLS |
| EC NO: ETC2007-0297       | ▽=0             |
| DRW: NEHLE 2007/03/13     | ▽=0             |
| CHKD: JMACNEIL 2007/03/13 |                 |
| APPR: JMACNEIL 2007/03/14 |                 |
| DESCRIPTION               |                 |
| REV                       |                 |

|                                       |
|---------------------------------------|
| GENERAL TOLERANCES (UNLESS SPECIFIED) |
| 4 PLACES ± --- ± ---                  |
| 3 PLACES ± --- ± ---                  |
| 2 PLACES ± --- ± ---                  |
| 1 PLACE ± --- ± ---                   |
| ANGULAR ± --- °                       |

|                 |              |  |                        |
|-----------------|--------------|--|------------------------|
| DIMENSION STYLE | SCALE        | DESIGN UNITS   | THIRD ANGLE PROJECTION |
| IN/MM           | 4:1          | INCH   |                        |
| DRAWN BY        | DATE         | TITLE  |                        |
| EHILE           | 2006/09/20   | RING TONGUE TERMINAL,<br>16-14 AWG, KRIMP TITE,<br>900 DEG F (483 DEG C) |                        |
| CHECKED BY      | DATE         |  |                        |
| JMACNEIL        | 2006/09/20   |  |                        |
| APPROVED BY     | DATE         |  |                        |
| JMACNEIL        | 2006/09/20   |  |                        |
| MATERIAL NO.    | DOCUMENT NO. |  |                        |
| SEE CHART       | SD-19203-030 |  |                        |
| SIZE            |              |  |                        |
| B               |              |  |                        |

|  |
|--|
| DRAFT WHERE APPLICABLE MUST REMAIN WITHIN DIMENSIONS |
|--|

|   |              |           |
|---|--------------|-----------|
| MATERIAL NO.  | DOCUMENT NO. | SHEET NO. |
| SEE CHART   | SD-19203-030 | 1 OF 1    |
| THIS DRAWING CONTAINS INFORMATION THAT IS PROPRIETARY TO MOLEX INCORPORATED AND SHOULD NOT BE USED WITHOUT WRITTEN PERMISSION |              |           |