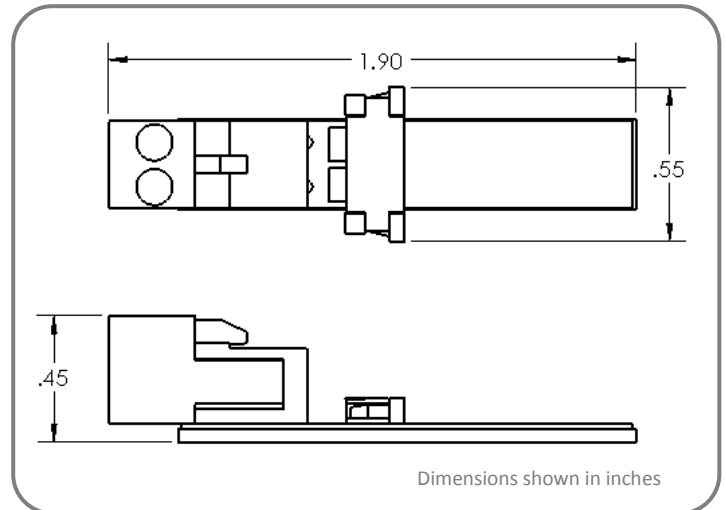
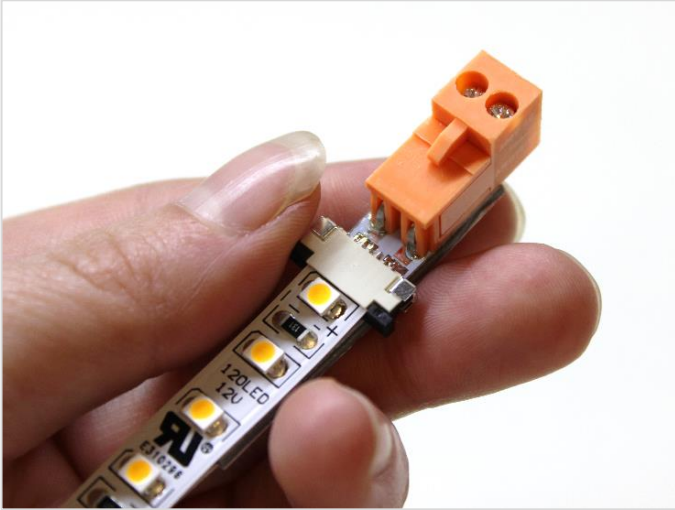


inspired LED Orange Tiger Paw™ Screw Terminal

Inspired LED's patented solderless **Tiger Paw™ Connectors** are the perfect solution for in-field LED system design and customization. These innovative accessories pair with LED flex strips for quick, convenient installation. Now, creating the perfect low-voltage lighting system is easier than ever, thanks to Inspired LED!



Product Specifications: (SKU# 3614)

- Solderless termination of 8mm LED flex strips to 16-22 AWG wire
- Max Load- 5 AMPs
- Industry proven locking system meets shock and vibration requirements for IEC 60068-2-27
- U.S. Patent No. 8,714,772

Instructions:

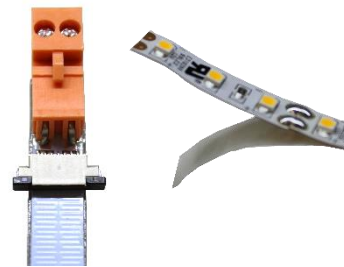
1 Use scissors to cut LED strip to length along copper solder pads, ONLY (located ever 3 LEDs)



2 Take hold of black sliding latch and pull outward to open



3 Peel back adhesive lining on LED strip



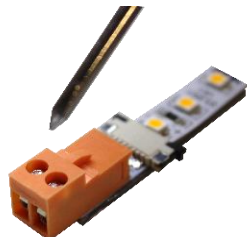
4 Taking note of (+) polarity of LEDs, insert flex strip into gap between black sliding latch and beige bridge piece



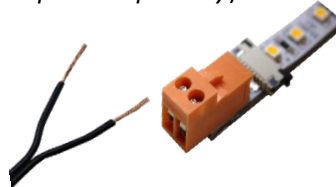
5 Make sure LED strip is centered and fully inserted before sliding black latch firmly closed and pressing on adhesive



6 Use small screw driver to loosen screws on the top of connector piece



7 Strip cable back ¼" to expose (+) and (-) wire, (if using Inspired LED cable, white writing indicates positive polarity)



8 Insert wire (matching polarity of flex) tighten screws and connect to class 2 power source to verify connections, then install LED flex strips as needed



Troubleshooting: If LEDs are flickering, double check connection to be sure flex is fully inserted and secured, if no lights turn on check to be sure polarities are properly matched

