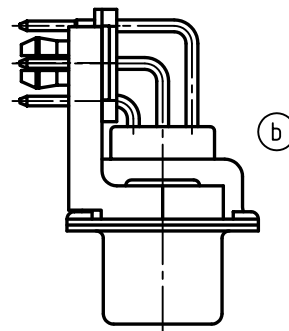
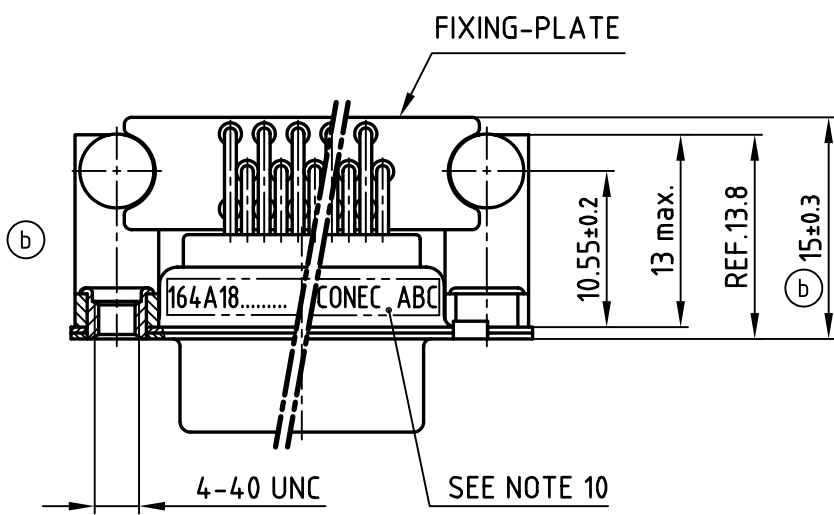
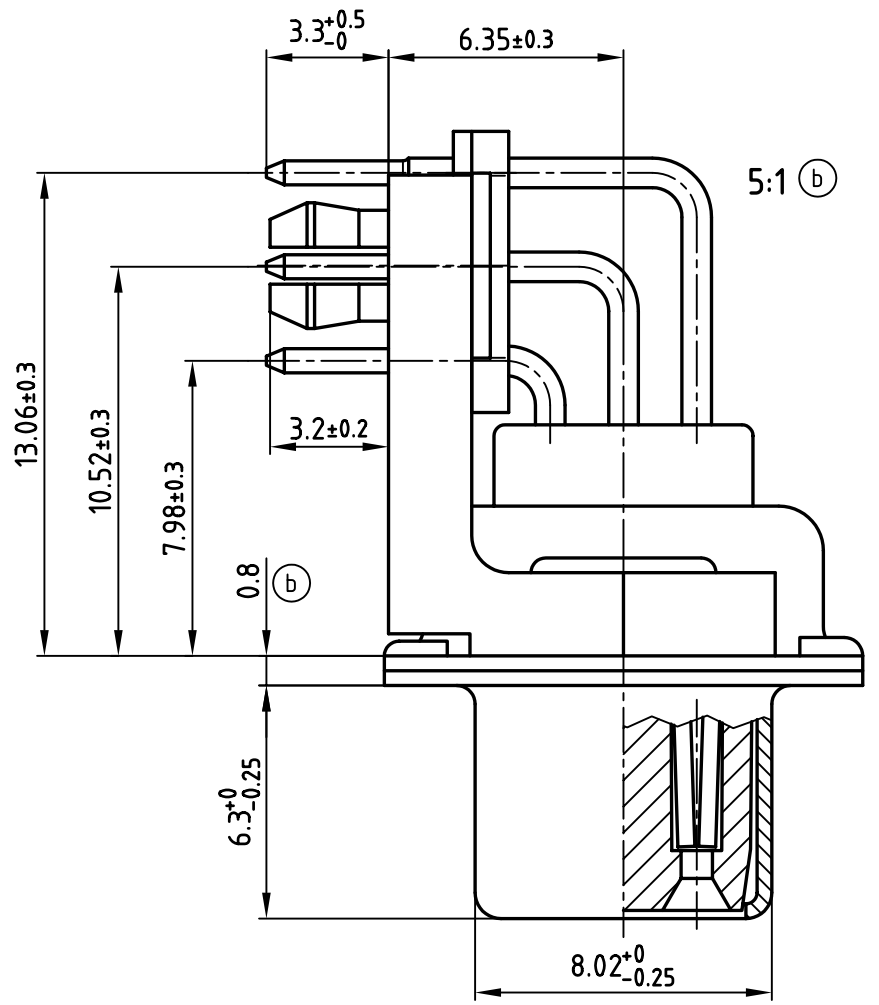
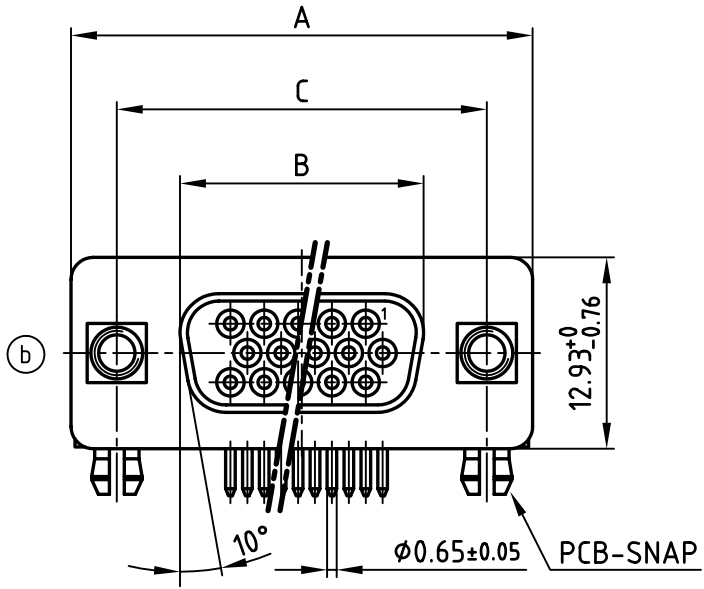


used for: D-SUB HD

POS.	A -0.76	B -0.25	C	Part NO.
26	39.52	24.79	33.30 $\begin{smallmatrix} +0.15 \\ -0.1 \end{smallmatrix}$	164A18189X
44	53.42	38.50	47.04 ± 0.13	164A18199X
62	69.70	54.96	63.50 ± 0.13	164A18209X



NOTES:

- METALSHELLS: STEEL; min. 315µm TIN over 40-80µm NICKEL
- INSULATORS: PBT GF UL 94 V-0; BLACK
- CONTACTS: COPPER ALLOY
PLATING: 8µm HARD GOLD over min. 50µm NICKEL
- METAL BRACKETS: ZINC DIE CAST; 300µm COPPER/40-120µm NICKEL/120-200µm TIN
- THREADED INSERTS: COPPER ALLOY; min. 200µm TIN over 80µm NICKEL
- PCB-SNAPS: COPPER ALLOY; min. 200µm TIN over 80µm NICKEL
PCB-HOLE: $\phi 3.1 \pm 0.1$; PCB THICKNESS 1.6mm
- FIXING-PLATE: PBT GF UL 94 V-0; BLACK
- P.C.B. HOLE DRILLINGS ON SHEET 2
- MAXIMUM TORQUE VALUE FOR THREAD: 6 in.LB
- CONNECTOR IS PART MARKED: PART-NO. CONEC ABC



APPROVAL # FREIGABE # DEBLOCAGE # AUTORIZACION # APPROVAL	
CUSTOMER APPROVAL DATE:	
NAME:	TITLE:
COMPANY NAME:	
APPROVAL # FREIGABE # DEBLOCAGE # AUTORIZACION # APPROVAL	

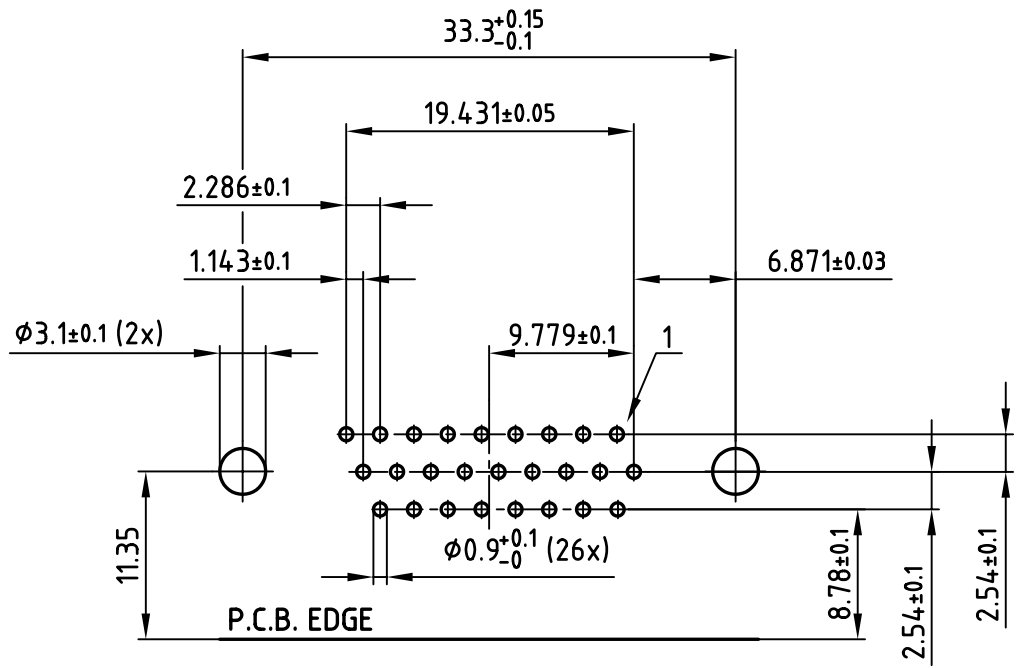
THIS DRAWING MAY NOT BE COPIED OR REPRODUCED IN ANY WAY, AND MAY NOT BE PASSED ON TO A THIRD PARTY WITHOUT WRITTEN PERMISSION.
 OWNERSHIP AND COPYRIGHT OF CONEC GmbH
 DO NOT ALTER CAD DRAWING BY HAND

2 x c	Ä 3543	14.01.2010	Lehmen	d-old
8 x b	Ä 3524	10.12.2009	Lehmen	
a	Origin			
rev.	description	date	name	



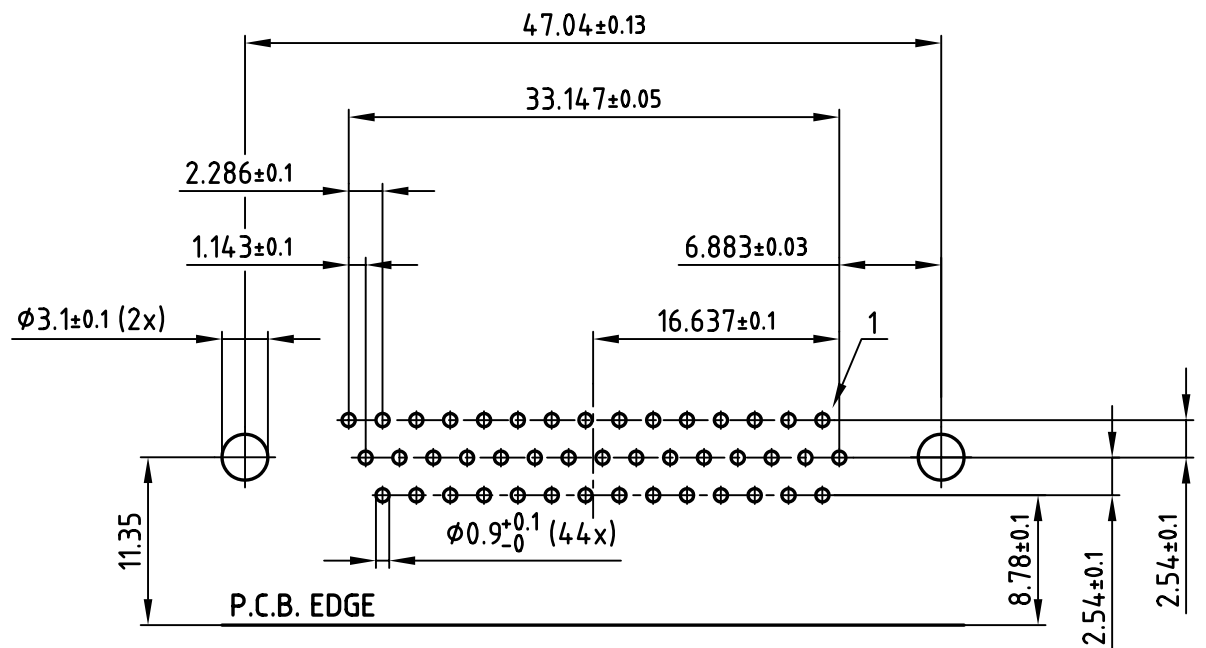
tolerance	dim. in mm	scale:	2:1 (5:1)
		material:	SEE NOTES
2001	date	name	
drawn	22.11.	Parei	
appd.	22.11.	Resonnek	
norm	DIN 41652		
title:		D-SUB HD FEMALE 90°	
		Ⓢ 26-62pos. 0.350inch	
		thread insert, metal bracket, fixing-plate, snap	
dwg no:		AutoCAD 2006	DIN-A
		16K1A375A	3
			sh:1/2
part no:		SEE TABLE	

used for: D-SUB HD

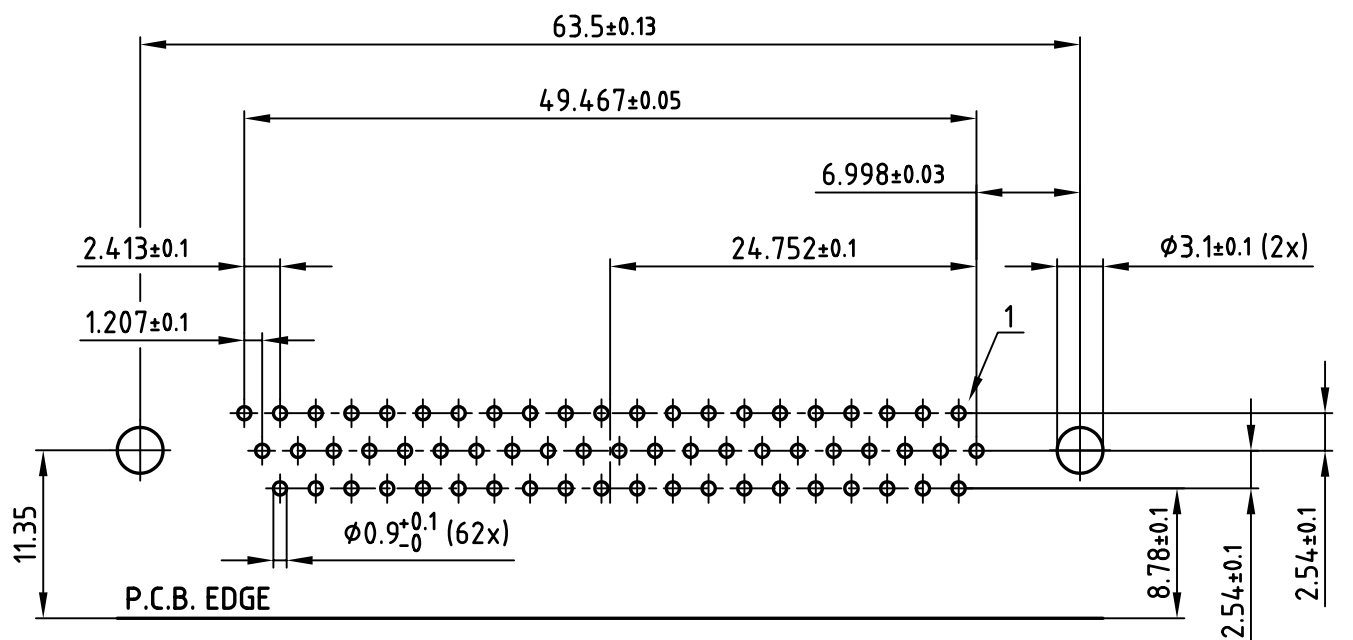


26pos.

P.C.B. HOLE DRILLINGS
(P.C.B. TOP SIDE)



44pos.



62pos.

APPROVAL # FREIGABE # DEBLOCAGE # AUTORIZACION # APPROVAL	
CUSTOMER APPROVAL DATE:	
NAME:	TITLE:
COMPANY NAME:	
APPROVAL # FREIGABE # DEBLOCAGE # AUTORIZACION # APPROVAL	

THIS DRAWING MAY NOT BE COPIED OR REPRODUCED IN ANY WAY, AND MAY NOT BE PASSED ON TO A THIRD PARTY WITHOUT WRITTEN PERMISSION.
OWNERSHIP AND COPYRIGHT OF CONEC GmbH
DO NOT ALTER CAD DRAWING BY HAND

1 x c	Ä 3543	14.01.2010	Lehmen
a	Origin		
rev.	description	date	name

tolerance		dim. in mm
2009	date	
	name	
drawn	10.12.	Lehmenkühler
appd.	10.12.	Fischer
norm		
d-old		

scale:	2:1	
material:	SEE SHEET 1	
title:	© P.C.B. HOLE DRILLINGS D-SUB HD FEMALE 90° 26-62pos. 0.350inch thread insert, metal bracket, fixing-plate, snap	
dwg no:	AutoCAD 2006	DIN-A
	16K1A375A	3
		sh:2/2
part no:	SEE SHEET 1	

