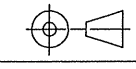
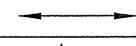



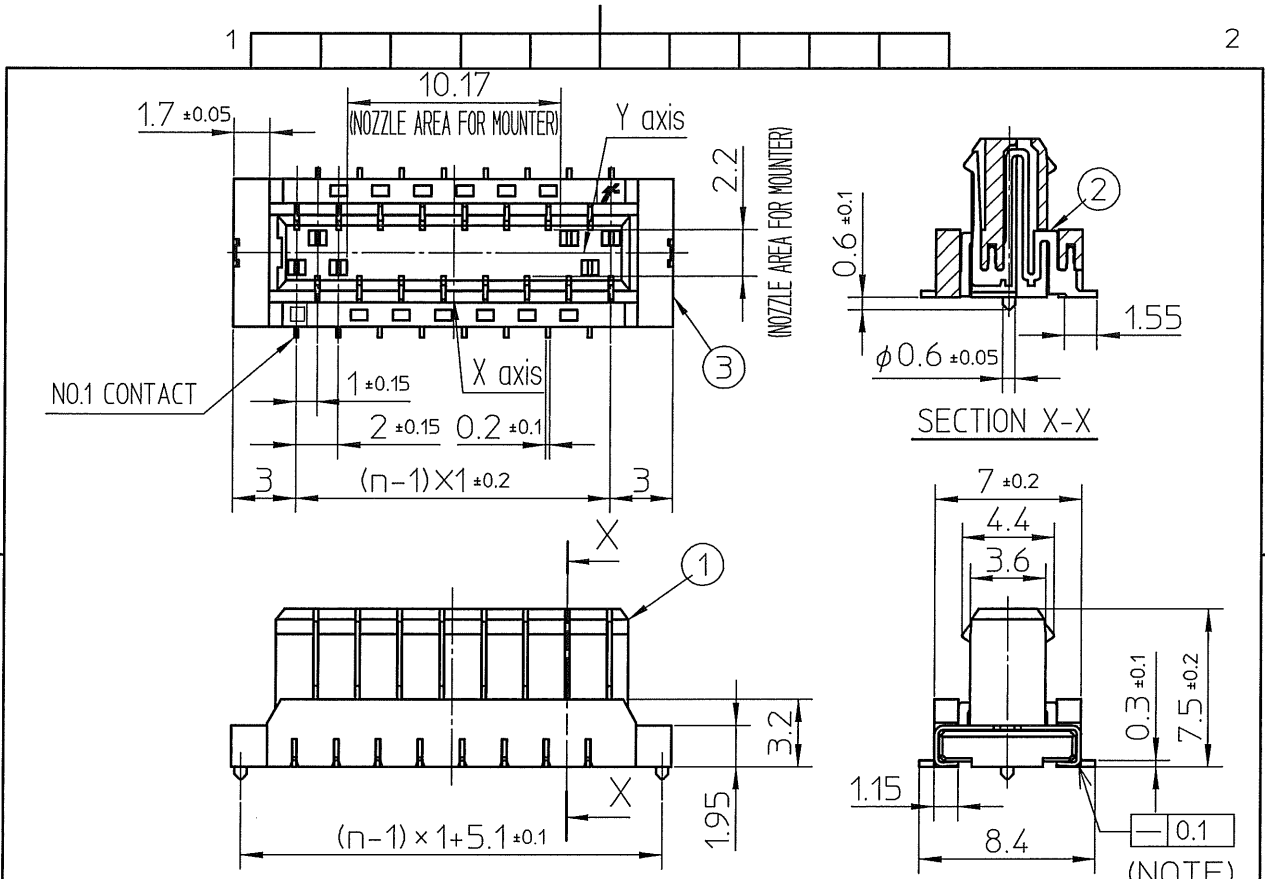
PT. NO.	PARTS NAME	CAT. NO.	MATERIAL	Q'TY	NOTE
1	REEL	—	POLYSTYRENE	1	—
2	PLASTIC (EMBOSS) TAPE	—	PET RESIN OR PP RESIN	—	COLOR : TRANSPARENCY
3	COVER	—	POLYESTER	—	COLOR : TRANSPARENCY
4	CONNECTOR	BTFW_P-3SBTGLF	SEE ATTACHED DWG.	700	

DIMENSIONS

CATALOG NUMBER	NO. OF CONTACT(ONLY EVEN POS.)	A	B	C
BTFW10~14P-3SBTGE4LF	10~14	38.4	32	28.4
BTFW16~24P-3SBTGE4LF	16~24	50.4	44	40.4
BTFW26~30P-3SBTGE4LF	26~30	62.4	56	52.4

- NOTES**
- THIS IS PLASTIC TAPE PACKAGED CONNECTOR USED FOR BOARD TO BOARD COPES WITH AUTOMATIC MOUNTING (SMT).
 - SEE JIS C 0806 (PACKING OF ELECTRONIC COMPONENTS ON CONTINUOUS TAPES (SURFACE MOUNTING DEVICES)) FOR SHAPE AND DIMENSIONS OF PLASTIC (EMBOSS) TAPE AND REEL.
 - THIS DIMENSION IS PORTION OF THE CORE.

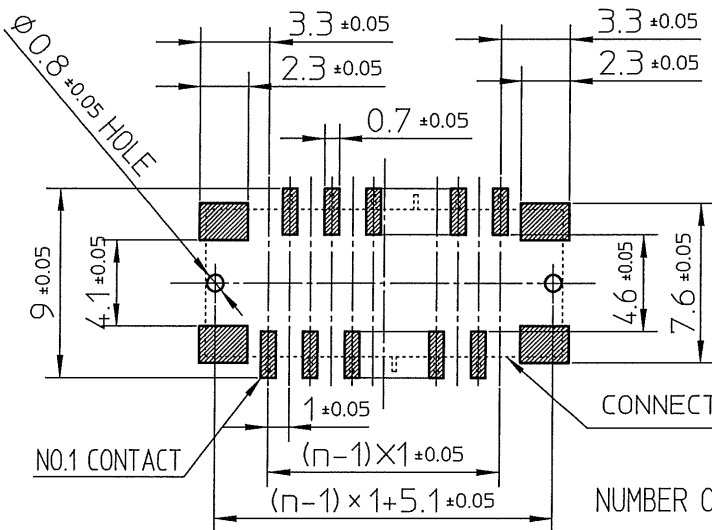
mat'l. code		surface ISO 1302 ✓		tolerance ISO 406 ISO 1101		projection		product family 590F		
ltr	ecn no	dr	date	tolerances unless otherwise specified				title PLASTIC TAPE PACKAGED BOARD TO BOARD PLUG CONNECTOR (GOLD PLATING, LEAD FREE AND PLASTIC REEL) (CAT.No.BTFW_P-3SBTGE4LF)		
A	J10-0042	M.K	Feb.19,'10	angles	linear		title PLASTIC TAPE PACKAGED BOARD TO BOARD PLUG CONNECTOR (GOLD PLATING, LEAD FREE AND PLASTIC REEL) (CAT.No.BTFW_P-3SBTGE4LF)			
				±5°	±5	scale		dwg no JSA 97488 sheet 1 of 1 size A4		
		dr	M.Koga	Feb.19,'10						
		engr	M.Koga	Feb.19,'10						
		chr	K.Higuchi	Feb.19,'10						
		appd	M.Koga	Feb.19,'10						
sheet index	revision sheet									Rev A



PT. NO.	PARTS NAME	MATERIAL	Q'TY	NOTE
1	HOUSING	GLASS FILLED THERMOPLASTIC RATED.(UL94V-0)	1	COLOR:BRACK
2	CONTACT	PHOSPHOR BRONZE	n	PLATING CONTACT AREA:GOLD OVER NICKL TERMINAL AREA:TIN(LEAD FREE)
3	MOUNTING PLATE	BRASS	2	PLATING:TIN (LEAD FREE)

n:NO. OF CONTACTS

RECOMMENDED PC BOARD LAYOUT
(COMPONENT SIDE)

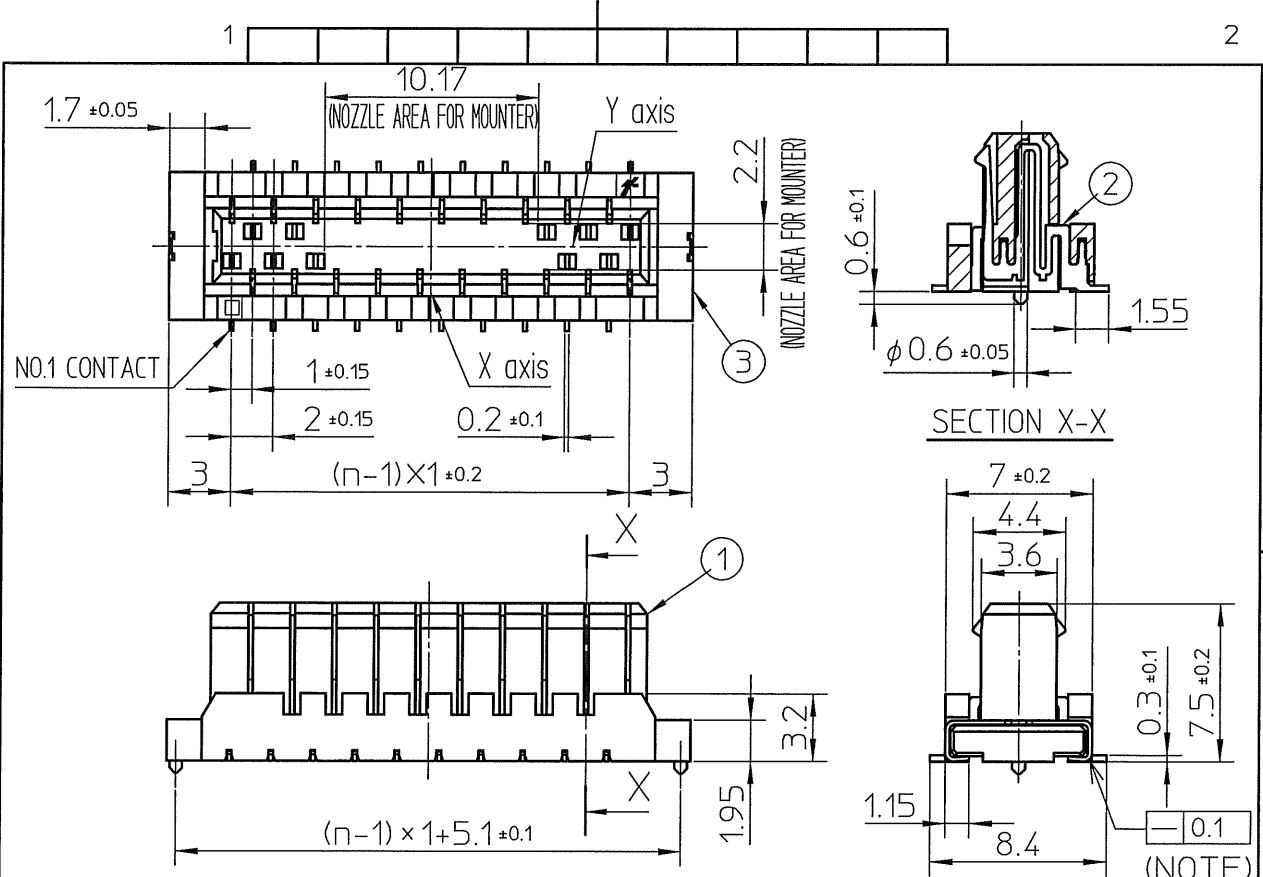


NOTE

- 1.This connector is symmetric for X,Y axis. As a result, It is possible to locate in emboss cavity even if rotated condition.
- 2.Flatness for contact terminal and mounting plate must be within 0.1.
- 3.This product meets European Union Directives and other country regulations as described in GS-22-008.

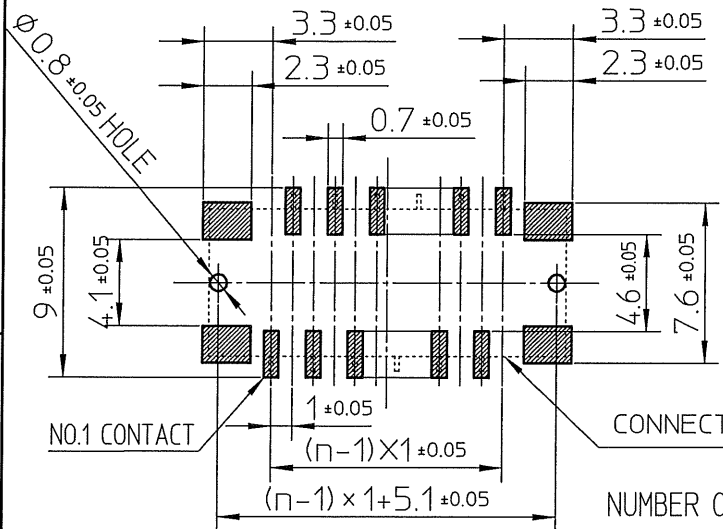
NUMBER OF CONTACTS : 10 TO 16 , ONLY EVEN POS.

mat'l. code				surface ISO 1302 ✓		tolerance ISO 406 ISO 1101		projection		product family 590F		
ltr	ecn no	dr	date	tolerances unless otherwise specified						title FLOATING BOARD TO BOARD PLUG CONNECTOR (GOLD PLATING AND LEAD FREE) (Cat.No. BTFW__P-3SBTGLF)		
A	J10-0042	M.K	Feb.19,'10	angles	linear	±0.3						
				dr	K.Higuchi	Feb.19,'10				dwg no sheet 1 of 2 size		
				enr	M.Koga	Feb.19,'10				JSA 97489 A4		
				chr	K.Higuchi	Feb.19,'10				type Product Customer Drawing		
				appd	M.Koga	Feb.19,'10						
sheet index	revision sheet	A	A									Rev
		1	2									A



PT. NO.	PARTS NAME	MATERIAL	Q'TY	NOTE
1	HOUSING	GLASS FILLED THERMOPLASTIC RATED.(UL94V-0)	1	COLOR:BRACK
2	CONTACT	PHOSPHOR BRONZE	n	PLATING CONTACT AREA:GOLD OVER NICKL TERMINAL AREA:TIN(LEAD FREE)
3	MOUNTING PLATE	BRASS	2	PLATING:TIN (LEAD FREE)

RECOMMENDED PC BOARD LAYOUT
(COMPONENT SIDE)



n:NO. OF CONTACTS

NOTE
 1.This connector is symmetric for X,Y axis. As a result, It is possible to locate in emboss cavity even if rotated condition.
 2.Flatness for contact terminal and mounting plate must be within 0.1.
 3.This product meets European Union Directives and other country regulations as described in GS-22-008.

NUMBER OF CONTACTS : 18 TO 30 , ONLY EVEN POS.

mat'l. code				surface ISO 1302 ✓		tolerance ISO 406 ISO 1101		projection		product family 590F		
ltr	ecn no	dr	date	tolerances unless otherwise specified						title FLOATING BOARD TO BOARD PLUG CONNECTOR (GOLD PLATING AND LEAD FREE) (Cat.No. BTFW__P-3SBTGLF)		
A	J10-0042	M.K	Feb.19'10	angles	linear	± 0.3						scale
				dr	K.Higuchi	Feb.19'10				dwg no sheet 2 of 2 size		
				enr	M.Koga	Feb.19'10				JSA 97489 A4		
				chr	K.Higuchi	Feb.19'10				type Product Customer Drawing		
				appd	M.Koga	Feb.19'10						
sheet index	revision sheet	A	A									Rev
		1	2									A



FCJconnect.com

Copyright FCI