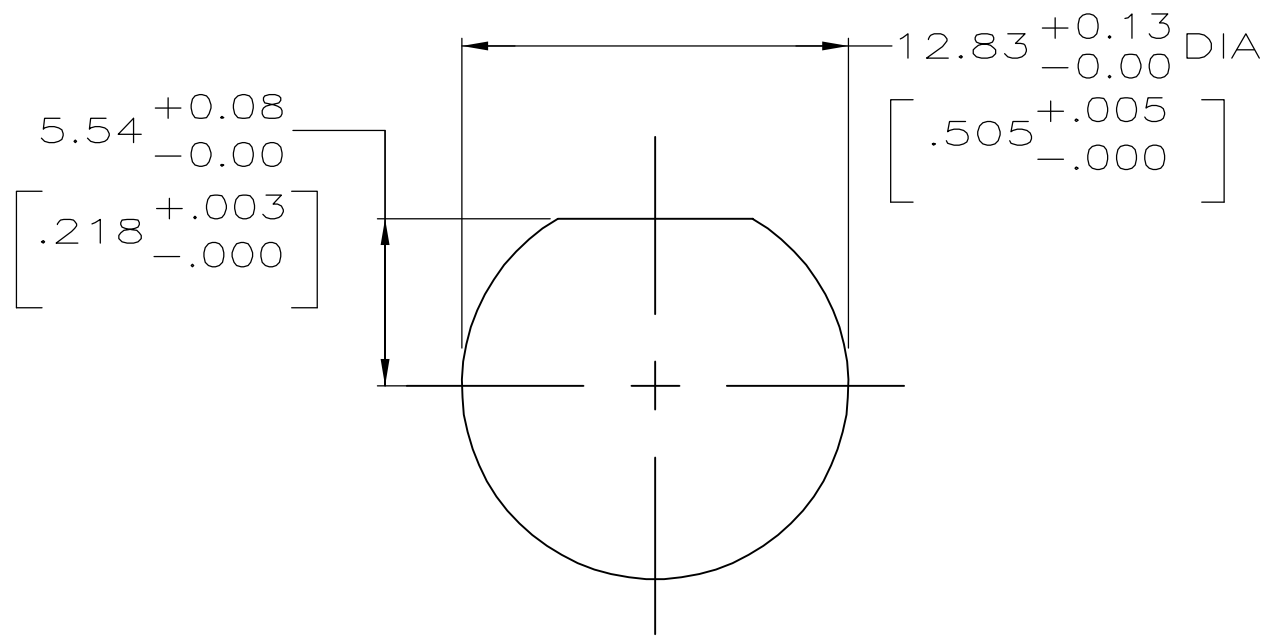
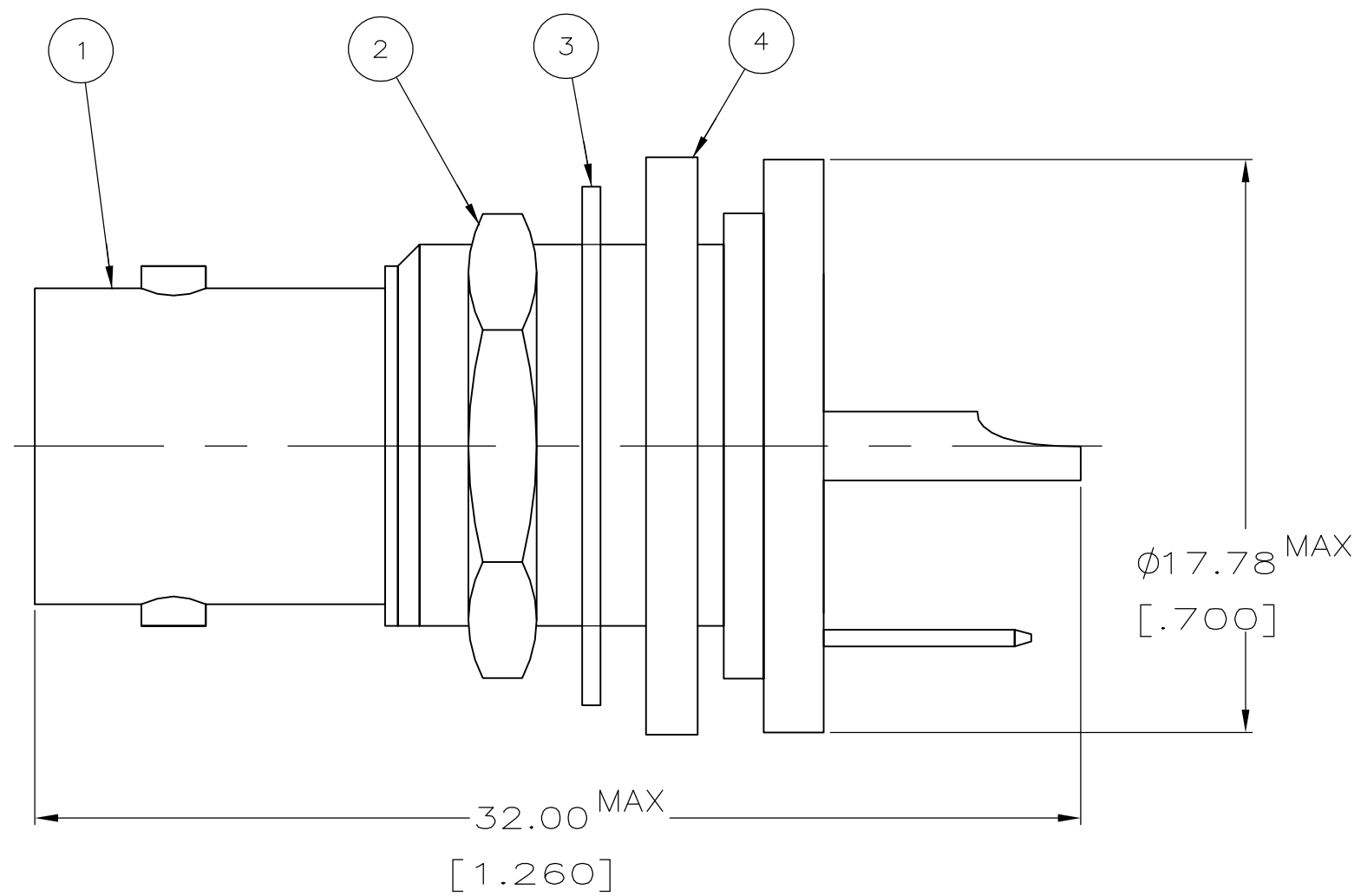


THIS DRAWING IS UNPUBLISHED. RELEASED FOR PUBLICATION
 © COPYRIGHT - BY TYCO ELECTRONICS CORPORATION. ALL RIGHTS RESERVED.

LOC	DIST	REVISIONS			
P	LTR	DESCRIPTION	DATE	DWN	APVD
AJ	16				
	0	PER EC 0S14-0072-05	26APR2005	JA	JL



RECOMMENDED PANEL CUTOUT
 SCALE: 4:1

227431-1	1-329632-2	1-329631-2	414230-1	5414217-1
④ GASKET QTY=1	③ LOCK WASHER QTY=1	② JAM NUT QTY=1	① JACK ASSEMBLY QTY=1	PART NUMBER

THIS DRAWING IS A CONTROLLED DOCUMENT.		DWN J. ALCORTA - DOCK5 26APR2005	Tyco Electronics Corporation Harrisburg, PA 17105-3608	
DIMENSIONS: mm [INCHES]		CHK J. HAVENER 26APR2005	NAME	
		APVD J. LIPPERT 26APR2005	SOLDER RECEPTACLE, JACK, BNC 75 OHM	
TOLERANCES UNLESS OTHERWISE SPECIFIED: 0 PLC ± - 1 PLC ± - 2 PLC ± - 3 PLC ± - 4 PLC ± - ANGLES ± -		PRODUCT SPEC -	APPLICATION SPEC -	RESTRICTED TO -
MATERIAL -		FINISH -	WEIGHT -	SCALE 5:1
CUSTOMER DRAWING			SIZE A3 CAGE CODE 00779 DRAWING NO C=5414217	SHEET 1 of 1 REV 0