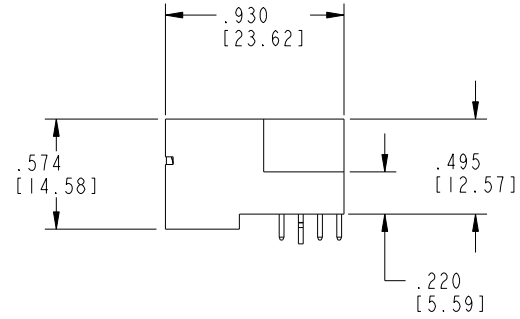
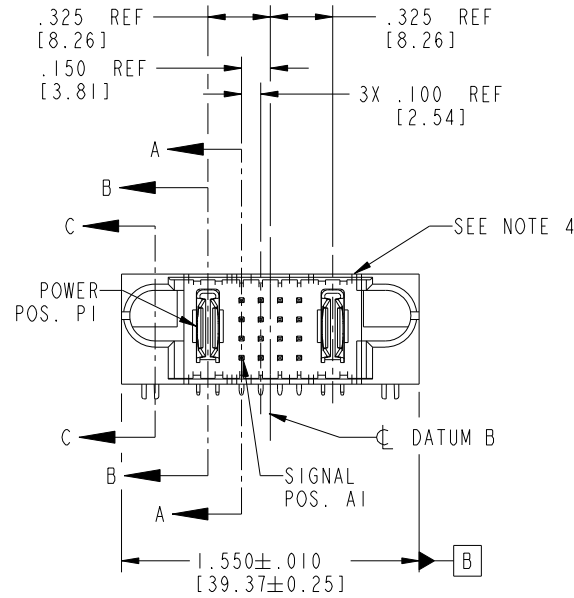
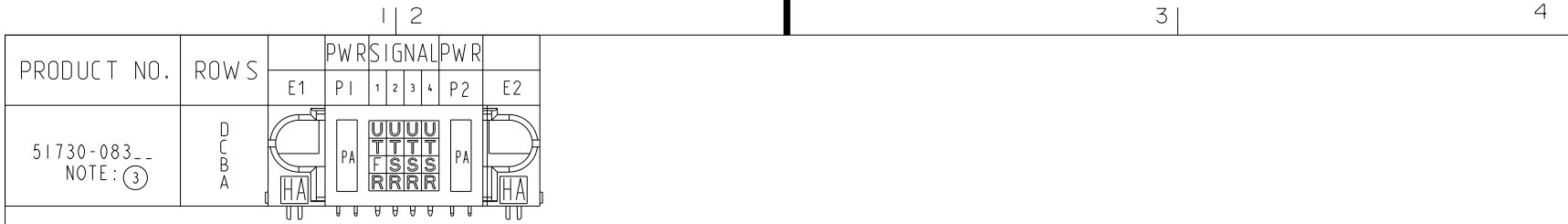


Tous droits strictement réservés. Reproduction ou communication a des tiers interdite sous quelque forme que ce soit sans autorisation écrite du propriétaire. Propriété de c FCI. Droits de reproduction FCI.

All rights strictly reserved. Reproduction or issue to third parties in any form whatever is not permitted without written authority from the proprietor. Property of FCI. Copyright FCI.



CODE	DIM "M" MATING LENGTH	CONTACT TYPE
F	.220 [5.59]	SIGNAL
R	.270 [6.86]	SIGNAL
S	.270 [6.86]	SIGNAL
T	.270 [6.86]	SIGNAL
U	.270 [6.86]	SIGNAL
PA	N/A [N/A]	POWER
HA	N/A [N/A]	HOLD-DOWN

mat'l code				SEE NOTE 2		tolerances unless otherwise specified		CUSTOMER	
ltr	ecn no.	dr	date	linear	.XX ± .01/0.X ± 0.3	COPY		FCI www.fciconnect.com	
A	V03-1266	DAI	11/25/03		.XXX ± .005/0.XX ± 0.13	projection		title IP + 16S + IP	
B	DG05-0253	SJ	07/26/05	angles	.XXX ± .002/0.XXX ± 0.051	INCH/MM		RIGHT ANGLE SOLDER HEADER	
C	DG05-0556	CS	12/19/05		0° ± 2°	scale		product family PwrBlade code 213	
D	DG08-0272	W D	09/27/08	dr	D. INGRAM 11/25/03	1:1		size dwg no 51730-083 sheet 1 of 4	
				enrg	M. GRAY 11/25/03				
				chr	M. GRAY 11/25/03				
				appd	M. GRAY 11/25/03				
sheet index	revision sheet	D 1	D 2	D 3	D 4				

1 | 2

3 |

4

A

A

B

B

Pro/E

PDM: Rev: D

STAT: Released

Printed: Dec 20, 2010

cage code 28556

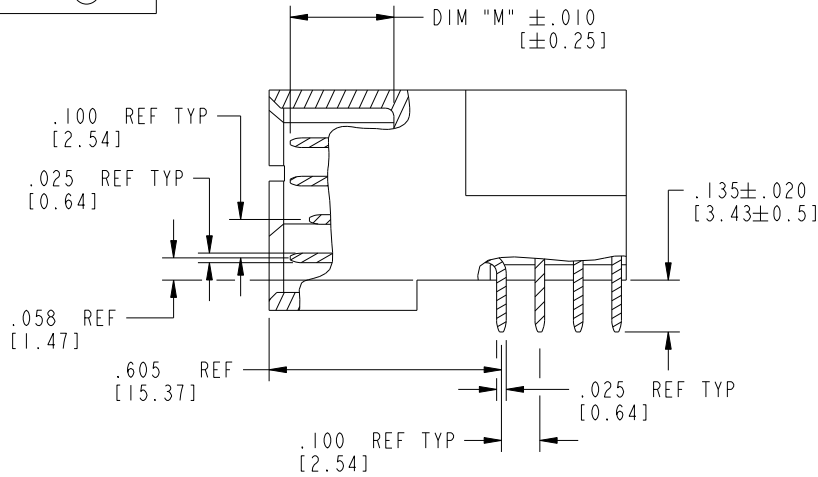
4

Tous droits strictement réservés. Reproduction ou communication a des tiers interdite sous quelque forme que ce soit sans autorisation écrite du propriétaire. Propriété de c FCI. Droits de reproduction FCI.

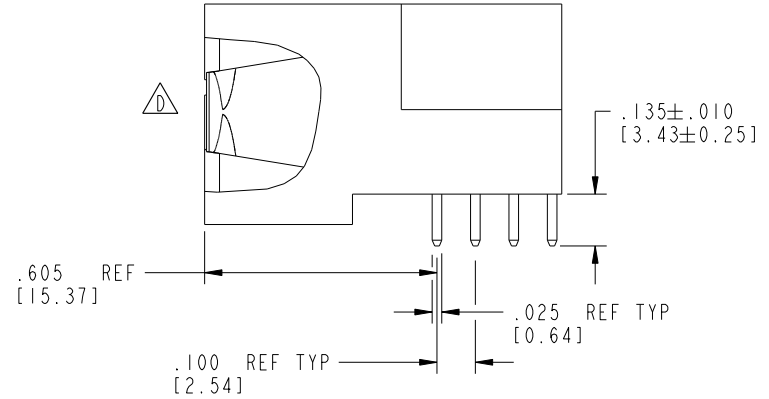
All rights strictly reserved. Reproduction or issue to third parties in any form whatever is not permitted without written authority from the proprietor. Property of FCI. Copyright FCI.



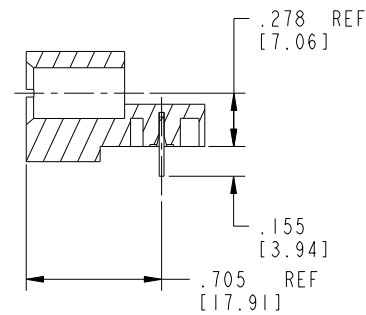
PRODUCT NUMBER  
51730-083--  
NOTE: ③



BROKEN-OUT SECTION A-A  
SCALE 2:1



BROKEN-OUT SECTION B-B  
SCALE 2:1



SECTION C-C

mat'l code		SEE NOTE 2		tolerances unless otherwise specified		CUSTOMER		 www.fciconnect.com	
lir	ecn no.	dr	date	linear	.XX±.01/0.X±0.3	COPY		title	
D				projection	.XXX±.005/0.XX±0.13			IP + 16S + IP	
				angles	.XXX±.0020/0.XXX±0.051			RIGHT ANGLE SOLDER HEADER	
				dr	D. INGRAM 11/25/03	INCH/MM		product family	
				engr	M. GRAY 11/25/03	1:1		PwrBlade	
				chr	M. GRAY 11/25/03			code	
				appd	M. GRAY 11/25/03			213	
sheet index		revision sheet				A		51730-083	
								sheet 2 of 4	

cage code 22516

Pro/E

PDM: Rev:D

STATUS: Released

Printed: Dec 20, 2010



PRODUCT NUMBER  
 51730-083--  
 NOTE: ③

NOTES:

1. DIMENSIONS AND TOLERANCES ARE IN ACCORDANCE WITH ASME Y14.5M, 1994 UNLESS OTHERWISE SPECIFIED.

CONNECTOR NOTES:

② HOUSING MATERIAL: UL 94 V-0 GLASS FILLED HIGH-TEMP THERMOPLASTIC  
 POWER CONTACT MATERIAL: COPPER ALLOY  
 SIGNAL PIN MATERIAL: COPPER ALLOY

③ SEE ITEM 1 & 2 IN PRINT 10064183 FOR PLATING SPEC OF 51730-083 AND 51730-083LF RESPECTIVELY.

④ MANUFACTURER'S NAME, P/N, AND DATE CODE TO APPEAR ON THIS SURFACE.

5. PRODUCT SPECIFICATION GS-12-149.  
APPLICATION SPECIFICATION BUS-20-067.

6. PACKAGED IN TRAYS.

PCB NOTES:

7. ALL HOLE DIAMETERS ARE FINISHED HOLE SIZE.

⑧ MOUNTING HOLES, WHERE APPLICABLE, ARE UNPLATED.

⑨  $\varnothing .0453 \pm .0010$  [1.151 $\pm$ 0.025] DRILLED HOLES PLATED WITH  
 .0003 [0.008] MIN SnPb OVER .001 [0.03]  
 TO .003 [0.08] Cu PLATING TO ACHIEVE  
 $\varnothing .040 \pm .003$  [1.02 $\pm$ .07] HOLE.

⑩ "DIM XXX" TO BE DETERMINED BY THE CUSTOMER.

⑪ CONNECTOR KEEP-OUT ZONE.

⑬ A  $\Delta$  SYMBOL WILL BE NEXT TO ANY DIMENSION, VIEW, OR NOTE WHICH HAS BEEN MODIFIED WITH THE CURRENT DRAWING REVISION.

mat'l code		SEE NOTE 2		tolerances unless otherwise specified		CUSTOMER		FCI	
ltr	ecn no.	dr	date	linear	.XX $\pm$ .01/0.X $\pm$ 0.3	COPY		www.fciconnect.com	
D				projection	.XXX $\pm$ .005/0.XX $\pm$ 0.13			title IP + 16S + IP	
				angles	.XXX $\pm$ .0020/0.XXX $\pm$ 0.051			RIGHT ANGLE SOLDER HEADER	
				dr	0 $^{\circ}$ + 2 $^{\circ}$			product family PwrBlade	
				enrg	D. INGRAM 11/25/03	scale 1:1		code 213	
				chr	M. GRAY 11/25/03	size A		sheet 4 of 4	
				appd	M. GRAY 11/25/03	dwg no 51730-083			
sheet index	revision sheet								

Tous droits strictement réservés. Reproduction ou communication a des tiers interdite sous quelque forme que ce soit sans autorisation écrite du propriétaire. Propriete de c FCI. Droits de reproduction FCI.



All rights strictly reserved. Reproduction or issue to third parties in any form whatever is not permitted without written authority from the proprietor. Property of FCI. Copyright FCI.