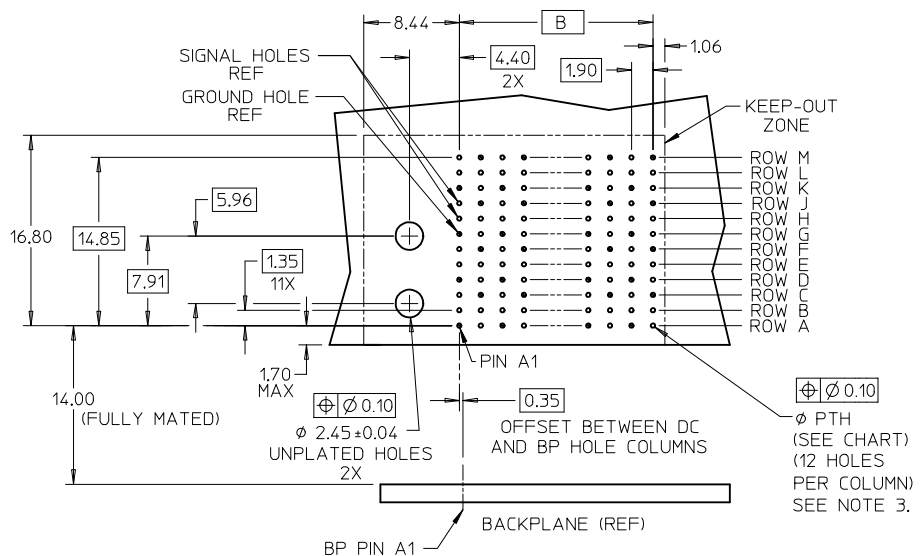


SEE NOTE 12

KEY SHOWN IN POSITION "A"



DAUGHTERCARD HOLE PATTERN (CONNECTOR SIDE)

- NOTES:
1. MATERIALS: HOUSING - LIQUID CRYSTAL POLYMER (LCP), GLASS-FILLED, UL94V-0
TERMINALS - HIGH PERFORMANCE COPPER ALLOY
 2. FINISH: 30μN MIN SELECTIVE GOLD IN CONTACT AREA, SELECTIVE TIN
ON PCB TAILS, NICKEL OVERALL.
 3. REFER TO MOLEX PRODUCT SPEC PS-76060-999 FOR PERFORMANCE SPECIFICATIONS
AND ADDITIONAL PCB INFORMATION.
 4. EACH SIGNAL WAFER CONTAINS 2 COLUMNS OF TERMINALS.
 5. PRODUCT IS PACKAGED PER PK-70873-610.
 6. THIS PART CONFORMS TO CLASS B REQUIREMENTS OF COSMETIC SPEC PS-45499-002.
 7. REFER TO MOLEX SALES DRAWING SD-76155-002 FOR THE MATING HEADERS AND
SD-76500-004 FOR THE MATING RAM CONNECTORS.
 8. REFER TO MOLEX PCB ROUTING GUIDE AS-76060-990 FOR ANTI PAD AND ROUTING
RECOMMENDATIONS.
 9. PART NUMBER 76160-3120 SHOWN ON DRAWING. KEYING FEATURES WILL CHANGE
WITH COLUMN SIZE.
 10. MINIMUM BOARD THICKNESS IS 1.00 mm FOR COMPLIANT PIN FUNCTIONALITY.
 11. WHEN USING MOLEX SUPPLIED #2-32 SCREW 73726-0000 (9.50mm ±0.38
THREADABLE SCREW LENGTH), THE MAXIMUM BOARD THICKNESS IS 4.4mm.
 12. MARKING: LOCATED APPROXIMATELY AS SHOWN, PART NUMBER AND DATE CODE.

ADD LASER MARK INFO EC NO: UCP2016-3973 DRW: DRWVARVARA 2015/07/28 CHKD: TELO 2016/02/22 APPR: TELO 2016/04/20	QUALITY SYMBOLS 	GENERAL TOLERANCES (UNLESS SPECIFIED)		DIMENSION STYLE MM ONLY	SCALE 3:1	DESIGN UNITS METRIC	THIRD ANGLE PROJECTION
		4 PLACES ± --- ± --- 3 PLACES ± --- ± --- 2 PLACES ± 0.13 ± --- 1 PLACE ± 0.25 ± --- 0 PLACE ± ±	mm INCH ± --- ± --- ± 0.13 ± --- ± 0.25 ± --- ± ±	DRAWN BY JLAURX	DATE 2008/03/03	CHECKED BY TELO	DATE 2008/03/03
REV H2	DESCRIPTION H2	ANGULAR ±1/2° DRAFT WHERE APPLICABLE MUST REMAIN WITHIN DIMENSIONS		APPROVED BY JLAURX	DATE 2010/09/15	molex	
MATERIAL NO. SEE CHART				DOCUMENT NO. SD-76160-002		SHEET NO. 1 OF 2	
THIS DRAWING CONTAINS INFORMATION THAT IS PROPRIETARY TO MOLEX INCORPORATED AND SHOULD NOT BE USED WITHOUT WRITTEN PERMISSION							

MATERIAL NUMBER	# OF COLUMNS	# OF DIFF PAIR	DIM "A" MAX	DIM "B"	PTH ϕ
76160-***06	6	24	19.00	9.50	0.46 ± 0.05
76160-***08	8	32	22.80	13.30	
76160-***10	10	40	26.60	17.10	
76160-***16	16	64	38.00	28.50	
76160-***36	6	24	19.00	9.50	0.39 ± 0.05
76160-***38	8	32	22.80	13.30	
76160-***20	10	40	26.60	17.10	
76160-***26	16	64	38.00	28.50	

76160-***

MODULE AND TAIL PLATING TYPE
3 = LEFT GUIDED LEAD-FREE

POLARIZATION KEY ORIENTATION
0 = NO KEY
1 = A 5 = E
2 = B 6 = F
3 = C 7 = G
4 = D 8 = H

OF COLUMNS
06 = 6 COL 0.46 PTH
08 = 8 COL 0.46 PTH
10 = 10 COL 0.46 PTH
16 = 16 COL 0.46 PTH
20 = 10 COL 0.39 PTH
26 = 16 COL 0.39 PTH
38 = 8 COL 0.39 PTH
36 = 6 COL 0.39 PTH

SEE SHEET 1 EC NO: UCP2016-3973 DRWN: DVARVARA 2015/07/28 CHKD: TELO 2016/02/22 APPR: TELO 2016/04/20	QUALITY SYMBOLS	GENERAL TOLERANCES (UNLESS SPECIFIED)	DIMENSION STYLE	SCALE	DESIGN UNITS	THIRD ANGLE PROJECTION
	▽=0	mm INCH	MM ONLY	3:1	METRIC	
	▽=0	4 PLACES ± --- ± ---	DRAWN BY DATE	TITLE IMPACT 100 OIHM DC 4 PAIR SIGNAL MODULE GUIDE LEFT SALES DWG molex		
	▽=0	3 PLACES ± --- ± ---	JLAURX 2008/03/03			
▽=0	2 PLACES ± 0.13 ± ---	CHECKED BY DATE				
▽=0	1 PLACE ± 0.25 ± ---	TELO 2008/03/03				
REV	DESCRIPTION	ANGULAR ±1/2°	APPROVED BY DATE	MATERIAL NO.	DOCUMENT NO.	SHEET NO.
H2		DRAFT WHERE APPLICABLE MUST REMAIN WITHIN DIMENSIONS	JLAURX 2010/09/15	SEE CHART	SD-76160-002	2 OF 2
			THIS DRAWING CONTAINS INFORMATION THAT IS PROPRIETARY TO MOLEX INCORPORATED AND SHOULD NOT BE USED WITHOUT WRITTEN PERMISSION			