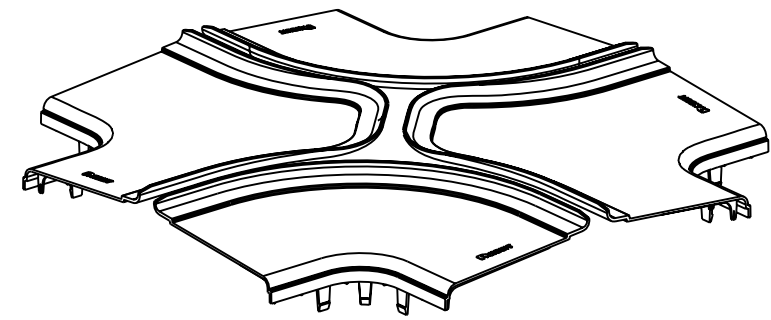
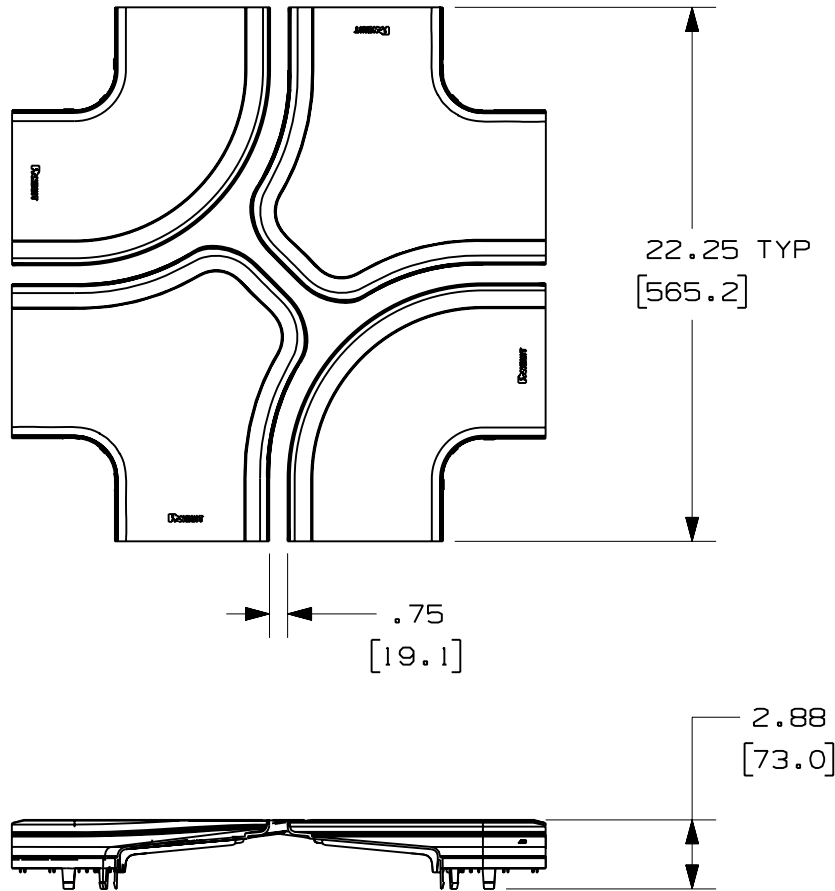


PANDUIT PART NUMBER	WEIGHT
FRFWCSC12	2.10 LB/EACH (952g/EACH)



NOTES:

1. SEE CURRENT CATALOG FOR ADDITIONAL PART SUFFIXES TO INDICATE COLOR AND/OR PACKAGE QUANTITY.
2. THE FIBERRUNNER 12x4 FOUR-WAY CROSS SPLIT COVER REQUIRES NO TOOLS FOR INSTALLATION AND/OR REMOVAL. THE SPLIT COVER CREATES A 3/4" (19.1) RADIUS OPENING TO ALLOW FOR NEW CABLES TO BE ADDED WITHOUT THE NEED FOR REMOVING THE COVERS.
3. DIMENSIONS IN PARENTHESES ARE IN METRIC.



ENG. REF.: D37617DQ_DC_FRFWCSC12_01.prt

CAD FILENAME/LAYERS FRFWCSC12.pdf

PANDUIT CORP TINLEY PARK, ILLINOIS
FIBERRUNNER 12x4 FOUR-WAY CROSS SPLIT COVER (FRFWCSC12)
 CUSTOMER DRAWING

UNLESS OTHERWISE SPECIFIED, DIMENSIONAL TOLERANCES ARE:
 (.X) ± (.XXX) ±
 (.XX) ± .03 (.8) ANGLES ±

UNLESS OTHERWISE SPECIFIED, ALL DIMENSIONS ARE GIVEN IN INCHES, THIRD ANGLE PROJECTION.

REV	DATE	BY	CHK	DESCRIPTION	ECN	R	CUST	SUP	GMBH
-	-----	---	---	D. REVISED GENERAL NOTES C. REVISED PART WEIGHT	-----	--	--		
1	6-28-06	DTP	RN	B. REVISED CAD FILE NAME A. REVISED AND REDRAWN	37617-74	RN	RN		

DRAWN BY: JHNU
 DATE: 1-3-01
 CHK'D: HIW

MAT'L: ABS

SCALE: NONE
 DRAWING NO.: 37617-74
 DWG SIZE: A