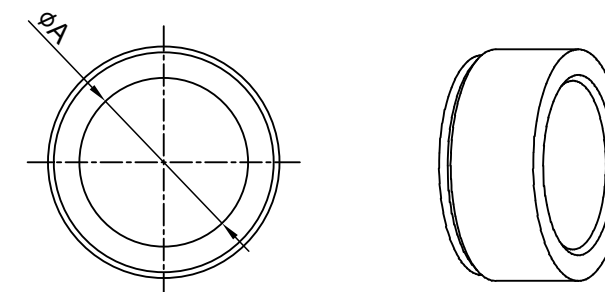
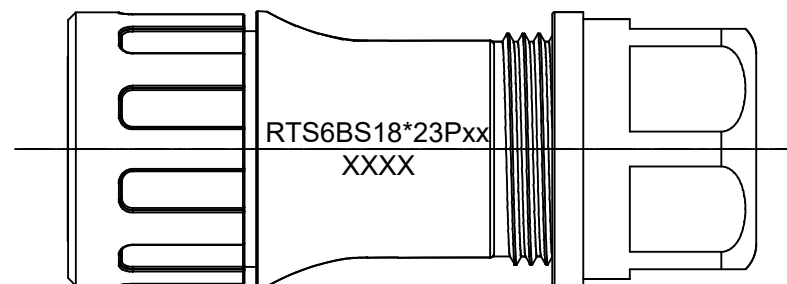
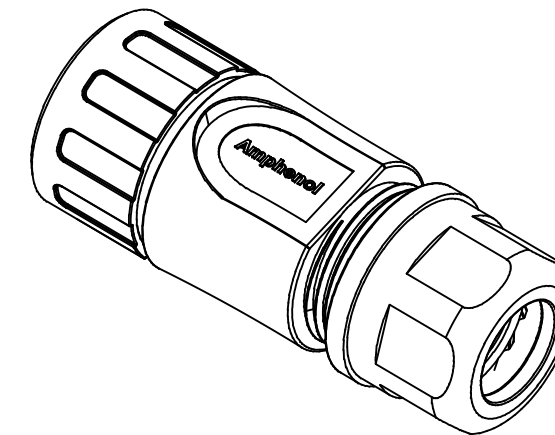
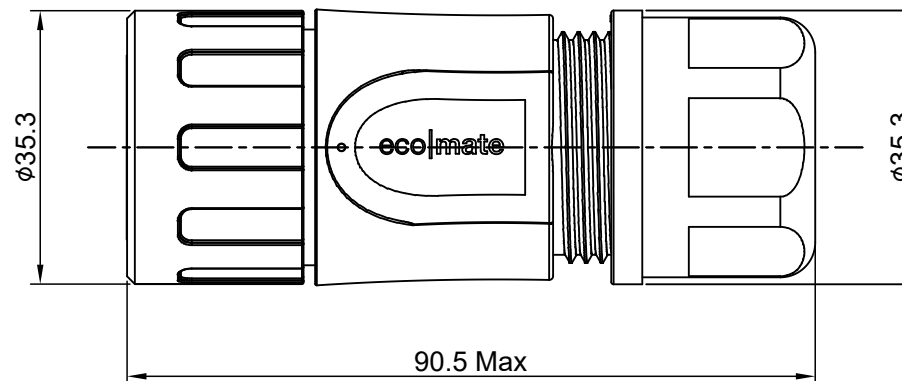
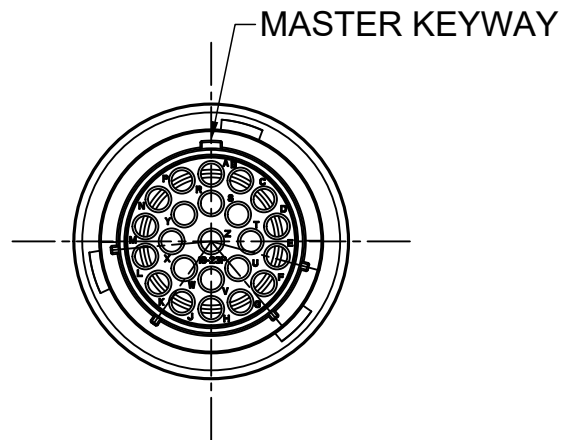


REVISIONS					
REV	ECO	DESCRIPTION	DATE	BY	APPR
A1	--	RELEASED DRAWING	Dec-26-2016	Ben	Tommy
A2	--	UPDATE NOTES	Jul-06-2017	Nick	Tommy
A3	--	UPDATE CABLE OD RANGE	Aug-24-2017	Nick	Tommy
A4	--	UPDATE DRAWING	Mar-21-2018	White	Tommy



NOTES : (UNLESS OTHERWISE SPECIFIED)

- MATERIAL :
 - SHELL : THERMOPLASTIC , UL94 V-0.
 - INSERT : THERMOPLASTIC , UL94 V-0.
 - COUPLING NUT : THERMOPLASTIC , UL94 V-0.
 - O-RING : NBR/SILICONE RUBBER.
 - WASHER: SILICONE RUBBER.
 - BACK SHELL : THERMOPLASTIC , UL94 V-0.
 - CLAMP NUT : THERMOPLASTIC , UL94 V-0.
 - CLAMP RING : THERMOPLASTIC , UL94 V-0.
 - CABLE SEAL : EPDM.
- SPECIFICATIONS :
 - RATED CURRENT : 13A (MAX) .
 - RATED VOLTAGE : 500V(AC/DC).
 - OPERATING TEMPERATURE : SEE TABLE .
 - DIELECTRIC WITHSTANDING VOLTAGE : LESS THAN 2 MILLIAMPS CURRENT LEAKAGE@2000 VOLTS AC.
 - INSULATION RESISTANCE : 5000 MEGOHMS MIN.
 - IP--CLASS : IP67 AND IP69K IN THE MATED CONDITION.
 - MATING CYCLES DURABILITY : 500 CYCLES MIN.
 - RoHS COMPLIANT.
- SUITABLE CONTACTS : 16# CONTACT.
- ALL DIMENSIONS ARE FOR REFERENCE USE ONLY.

DIMENSION ϕA	CABLE OD RANGE
16.5 MM	10.0-16.0 MM
18.5 MM	12.0-18.0 MM

KEY	PART NUMBER	
	-40°C ~ +105°C	-40°C ~ +125°C
N	RTS6BS18N23P	RTS6BS18N23P03

QUANTITY	PART NUMBER	DESCRIPTION	ITEM
MATERIALS LIST			
UNLESS OTHERWISE SPECIFIED 1) All dimensions are in metric(mm). 2) Tolerances are as follows: 1 PL DEC ±0.30 2 PL DEC ±0.15 3 PL DEC ±0.08 3) Note reference =		SIGNATURES DATE DRAWN: White Mar-21-2018 CHECKED: Tod Mar-21-2018 ENGINEER: APPROVAL: Tommy Mar-21-2018	
MATERIAL SPECIFICATIONS:		CUSTOMER:	
PROCESS SPECIFICATIONS:		THIS DRAWING IS SUPPLIED FOR INFORMATION ONLY. DESIGN FEATURES, SPECIFICATIONS AND PERFORMANCE DATA SHOWN HEREON ARE THE PROPERTY OF THE AMPHENOL CORPORATION. NO RIGHTS OF REPRODUCTION ARE IMPLIED. ALL DIMENSIONS ARE SUBJECT TO NORMAL MANUFACTURING VARIATIONS.	
NEXT ASSY:		SIZE TYPE DWG NO: REVISION B C- RTS6BS18*23Pxx A4	
SCALE: NONE		SHEET 1 OF 1	

TITLE: ECO-MATE,PLUG,BACK SHELL,SIZE 18,23POS,PIN
DWG NO: RTS6BS18*23Pxx
REV: A4
SH: 1
OF: 1